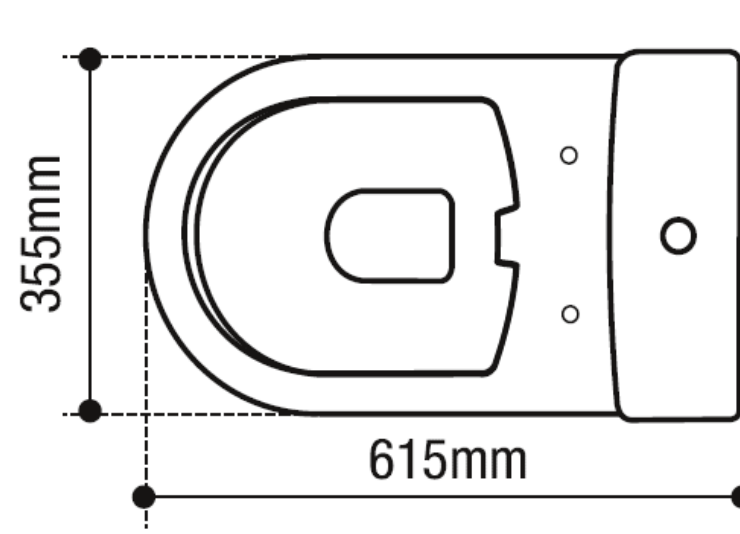
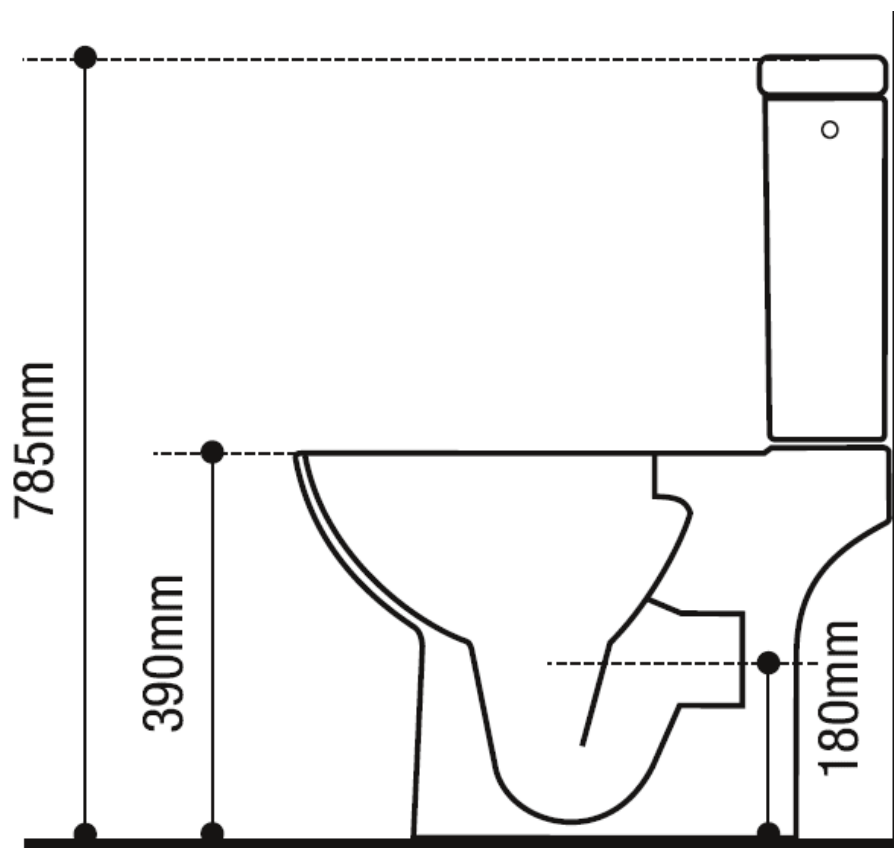


# PACK WC A POSER

# FRIENDLY RIMLESS



**GD** GodartDistribution

Carvin - France - Téléphone : +33 (0)3 21 79 16 79 - Fax : +33 (0)3 21 74 13 33 - [www.godart-distribution.com](http://www.godart-distribution.com) - Email : [contact@godart-distribution.com](mailto:contact@godart-distribution.com)