

AEG

POWERTOOLS

BS18C2BL, BSB18C2BL

Original instructions

Originalbetriebsanleitung

Notice originale

Istruzioni originali

Manual original

Manual original

Oorspronkelijke
gebruiksaanwijzing

Original brugsanvisning

Original bruksanvisning

Bruksanvisning i original

Alkuperäiset ohjeet

Πρωτότυπο οδηγιών χρήσης

Orijinal işletme talimatı

Původním návodem k používání

Pôvodný návod na použitie

Instrukcja oryginalna

Eredeti használati utasítás

Izvirna navodila

Originalne pogonske upute

Instrukcijām oriģinālvalodā

Originali instrukcija

Algupärane kasutusjuhend

Оригинальное руководство по
эксплуатации

Оригинално ръководство за
експлоатация

Instrucțiuni de folosire originale

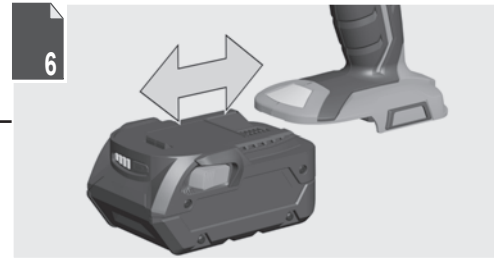
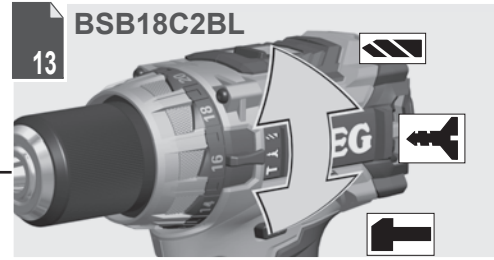
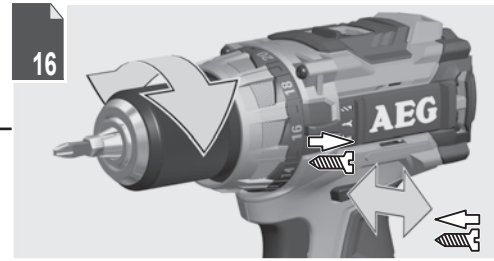
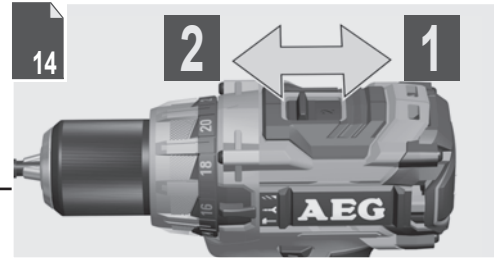
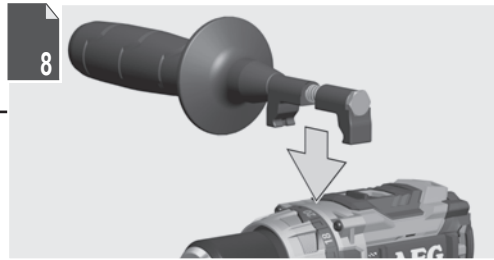
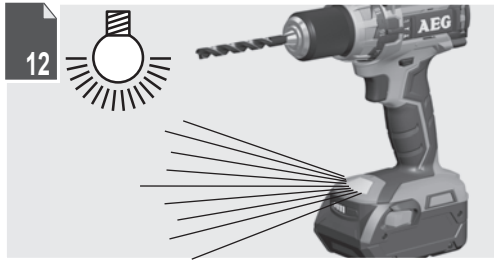
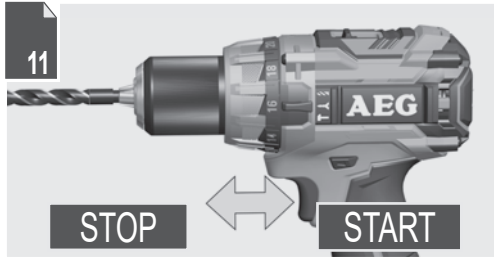
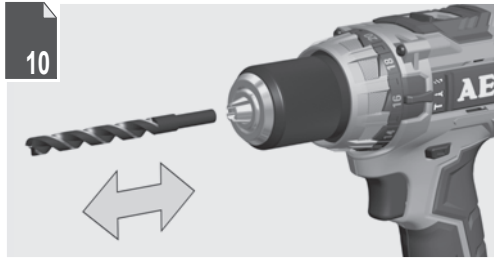
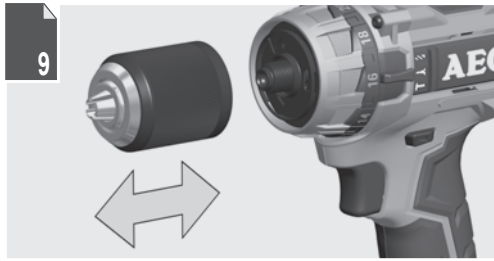
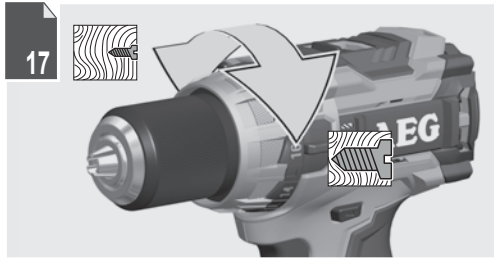
Оригинален прирачник за работа

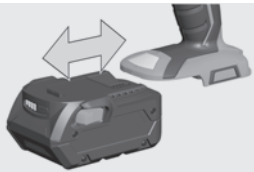
Оригінал інструкції з експлуатації

التعليمات الأصلية

ENGLISH		Picture section with operating description and functional description	4
DEUTSCH		Bildteil mit Anwendungs- und Funktionsbeschreibungen	4
FRANÇAIS		Partie imagée avec description des applications et des fonctions	4
ITALIANO		Sezione illustrata con descrizione dell'applicazione e delle funzioni	4
ESPAÑOL		Sección de ilustraciones con descripción de aplicación y descripción funcional	4
PORTUGUES		Parte com imagens explicativas contendo descrição operacional e funcional	4
NEDERLANDS		Beeldgedeelte met toepassings- en functiebeschrijvingen	4
DANSK		Billeddel med anvendelses- og funktionsbeskrivelser	4
NORSK		Billeddel med bruks- og funksjonsbeskrivelse	4
SVENSKA		Bilddel med användnings- och funktionsbeskrivning	4
SUOMI		Kuvasivut käyttö- ja toimintakuvaukset	4
ΕΛΛΗΝΙΚΑ		Τμήμα εικόνων με περιγραφές, χρήσης και λειτουργίας	4
TÜRKÇE		Resim bölümü Uygulama ve fonksiyon açıklamaları ile birlikte	4
ČESKY		Obrazová část s popisem aplikací a funkcí	4
SLOVENSKY		Obrazová část s popisom aplikácií a funkcií	4
POLSKI		Część rysunkowa z opisami zastosowania i działania	4
MAGYAR		Képes részalkalmazási- és működési leírásokkal	4
SLOVENSKO		Del slike z opisom uporabe in funkcij	4
HRVATSKI		Dio sa slikama opisima primjene i funkcija	4
LATVISKI		Attēla daļa ar lietošanas un funkciju aprakstiem	4
LIETUVIŠKAI		Paveikslėlio dalis su aprašymais ir funkcijų aprašymais	4
EESTI		Pildiosa kasutusjuhendi ja funktsioonide kirjeldusega	4
РУССКИЙ		Раздел иллюстраций с описанием эксплуатации и функций	4
БЪЛГАРСКИ		Част със снимки с описания за приложение и функции	4
ROMÂNIA		Secvența de imagine cu descrierea utilizării și a funcționării	4
МАКЕДОНСКИ		Дел со слики со описи за употреба и функционирање	4
УКРАЇНСЬКА		Частина з зображеннями з описом робіт та функцій	4
عربي		قسم الصور يوجد به الوصف التشغيلي والوظيفي	4

Text section with Technical Data, important Safety and Working Hints and description of Symbols	18
Textteil mit Technischen Daten, wichtigen Sicherheits- und Arbeitshinweisen und Erklärung der Symbole.	20
Partie textuelle avec les données techniques, les consignes importantes de sécurité et de travail ainsi que l'explication des pictogrammes.	22
Sezione testo con dati tecnici, importanti informazioni sulla sicurezza e sull'utilizzo, spiegazione dei simboli.	24
Sección de texto con datos técnicos, indicaciones importantes de seguridad y trabajo y explicación de los símbolos.	26
Parte com texto explicativo contendo Especificações técnicas, Avisos de segurança e de operação e a Descrição dos símbolos.	28
Tekstgedeelte met technische gegevens, belangrijke veiligheids- en arbeidsinstructies en verklaring van de symbolen.	30
Tekstdel med tekniske data, vigtige sikkerheds- og arbejdsanvisninger og symbolforklaring.	32
Tekstdel med tekniske data, viktige sikkerhets- og arbeidsinstruksjoner og forklaring av symbolene.	34
Textdel med tekniska informationer, viktiga säkerhets- och användningsinstruktioner samt symbolförklaringar.	36
Tekstisivut: tekniset tiedot, tärkeät turvallisuus- ja työskentelyohjeet sekä merkien selitykset.	38
Τμήμα κειμένου με τεχνικά χαρακτηριστικά, σημαντικές υποδείξεις ασφαλείας και εργασίας και εξήγηση των συμβόλων.	40
Teknik bilgileri, önemli güvenlik ve çalışma açıklamalarını ve de sembollerin açıklamalarını içeren metin bölümü.	42
Textová část s technickými daty, důležitými bezpečnostními a pracovními pokyny a s vysvětlivkami symbolů	44
Textová část s technickými datami, důležitými bezpečnostními a pracovními pokyny a s vysvětlivkami symbolov	46
Część opisowa z danymi technicznymi, ważnymi wskazówkami dotyczącymi bezpieczeństwa i pracy oraz objaśnieniami symboli.	48
Szöveges rész műszaki adatokkal, fontos biztonsági- és munkavégségi útmutatásokkal, valamint a szimbólumok magyarázata.	50
Del besedila s tehničnimi podatki, pomembnimi varnostnimi opozorili in delovnimi navodili in pojasnili simbolov.	52
Dio štiva sa tehničkim podacima, važnim sigurnosnim i radnim uputama i objašnjenjem simbola.	54
Teksta daļa ar tehnikajiem parametriem, svarīgiem drošības un darbības norādījumiem, simbolu atšifrējumiem.	56
Teksto dalis su techniniais duomenimis, svarbiomis saugumo ir darbo instrukcijomis bei simbolių paaiškinimais.	58
Tekstiosa tehniiliste näitajate, oluliste ohutus- ja tööjuhenditega ning sümbolite kirjeldustega.	60
Текстовый раздел, включающий технические данные, важные рекомендации по безопасности и эксплуатации, а также описание используемых символов.	62
Част с текст с технически данни, важни указания за безопасност и работа и разяснение на символите.	64
Porțiune de text cu date tehnice, indicații importante privind siguranța și modul de lucru și descrierea simbolurilor.	66
Tekstuālen del со Технички карактеристики, важни безбедносни и работни упатства и објаснување на символите.	68
Текстова частина з техничними даними, важливими вказівками з техніки безпеки та експлуатації і поясненням символів.	70
القسم النصي المزود بالبيانات الفنية والنصائح الهامة للسلامة والعمل ووصف الرموز	75





Remove the battery pack before starting any work on the machine.
 Vor allen Arbeiten an der Maschine den Wechselakku herausnehmen

Avant tous travaux sur la machine retirer l'accu interchangeable.

Prima di iniziare togliere la batteria dalla macchina.

Retire la batería antes de començar cualquier trabajo en la máquina.

Antes de efectuar qualquer intervenção na máquina retirar o bloco acumulador.

Voor alle werkzaamheden aan de machine de akku verwijderen.

Ved arbejde inden i maskinen, bør batteriet tages ud.

Ta ut vekselbatteriet før du arbeider på maskinen

Drag ur batteripaket innan arbete utföres på maskinen.

Tarkista pistotulppa ja verkkojohto mahdollisilta vaurioilta. Viat saa korjata vain alan erikoismies.

Πριν από κάθε εργασία στη μηχανή αφαιρέστε την ανταλλακτική μπαταρία.

Aletin kendingde bir çalışma yapmadan önce kartuş aküyü çıkarın.

Před zahájením veškerých prací na vrtacím šroubováků vyjmout výměnný akumulátor.

Pred každou prácou na stroji výmenný akumulátor vytiahnuť.

Przed przystąpieniem do jakichkolwiek prac na elektronarzędziu należy wyjąć wkładkę akumulatorową.

Karbantartás, javítás, tisztítás, stb. előtt az akkumulátort ki kell venni a készülékből.

Pred deli na stroju izvlecite izmenljivi akumulator.

Prije svih radova na stroju izvaditi bateriju za zamjenu.

Pirms mašīnai veikt jebkāda veida apkopes darbus, ir jāizņem ārā akumulātors.

Prieš atlikdami bet kokius darbus įrenginyje, išimkite keičiamą akumuliatorių.

Enne kõiki töid masina kallal võtke vahetatav aku välja.

Виньте аккумулятор из машины перед проведением с ней каких-либо манипуляций.

Преди започване на каквито е да работи по машината извадете акумулатора.

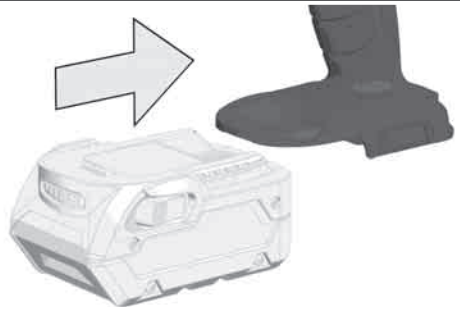
Scoateți acumulatorul înainte de a începe orice intervenție pe mașină.

Отстранете ја батеријата пред да започнете да ја користите машината.

Перед будь-якими роботами на машині ви́йняти змінну акумуляторну батарею.

قم بإزالة حزمة البطارية قبل البدء في أي أعمال على الجهاز.

1



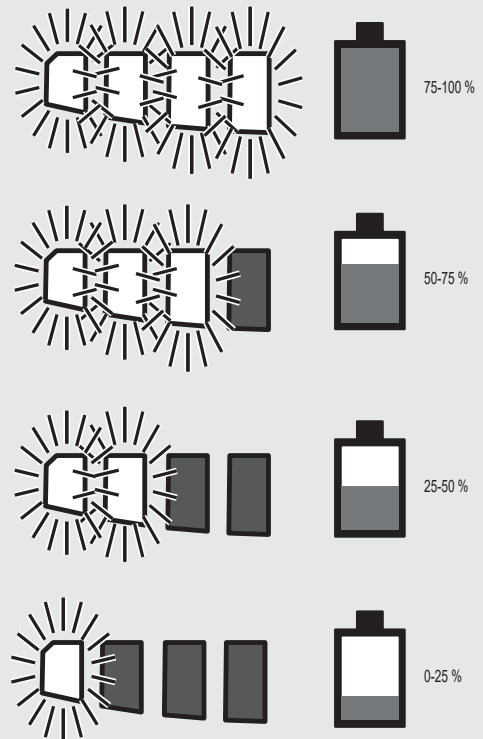
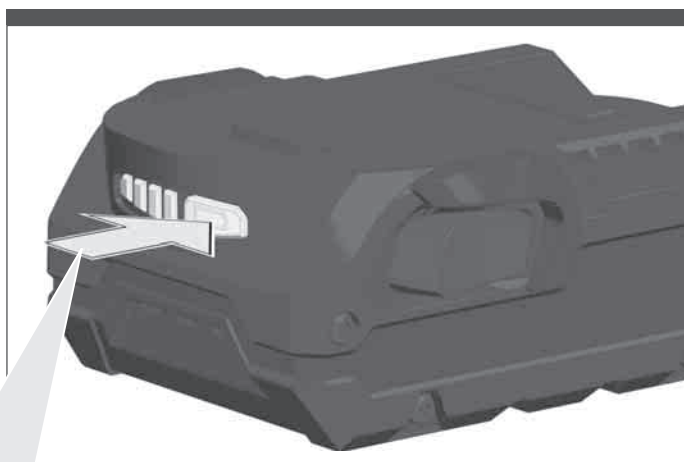
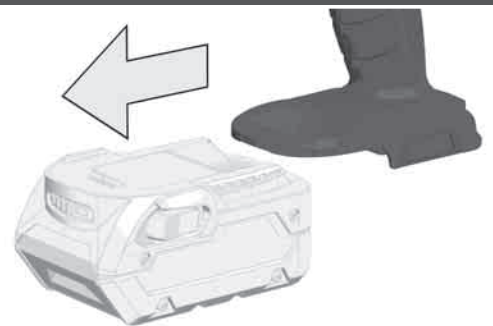
2

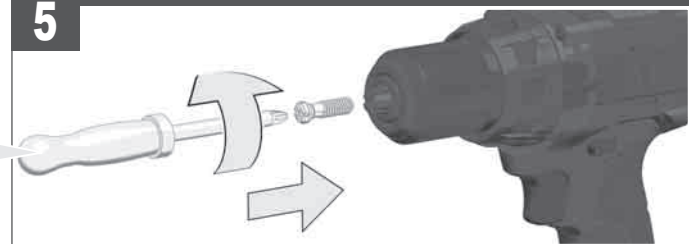
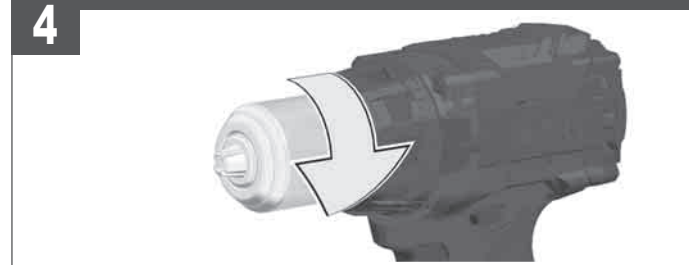
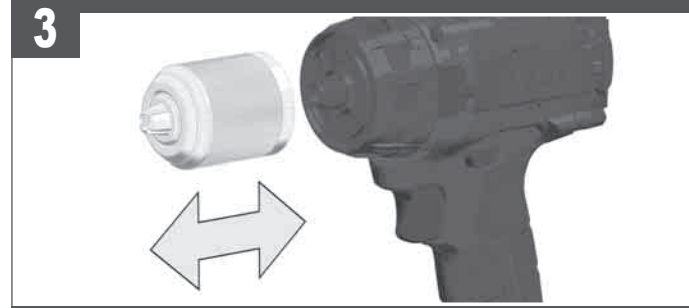
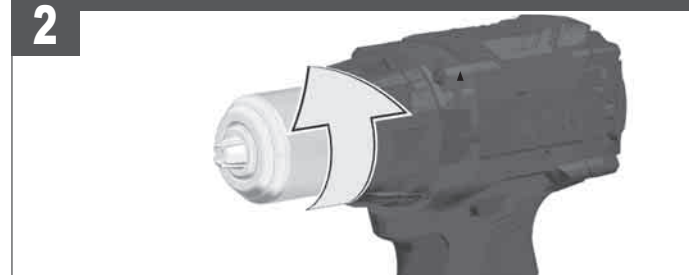
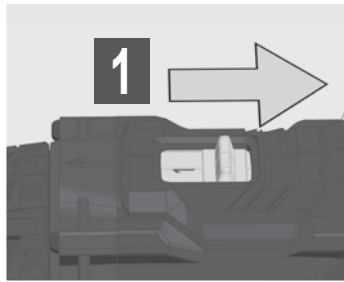
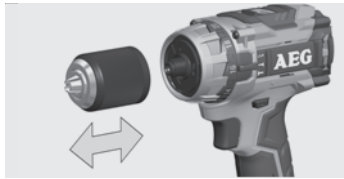
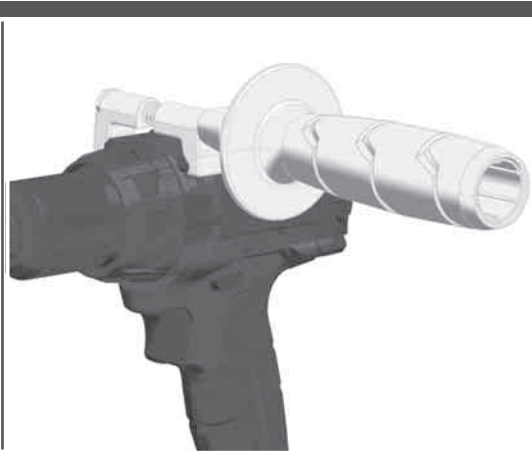
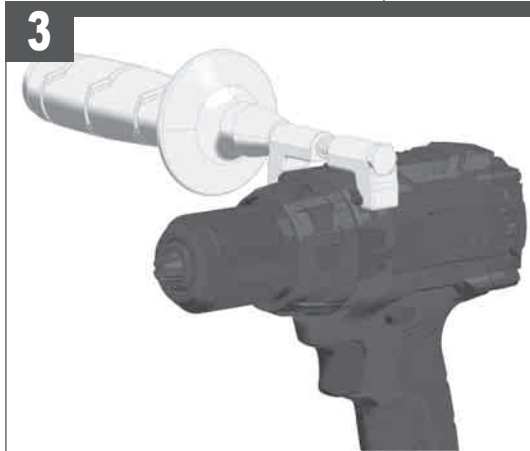
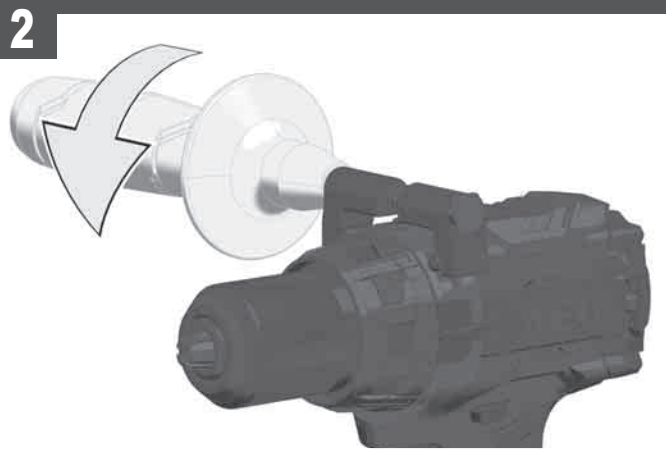
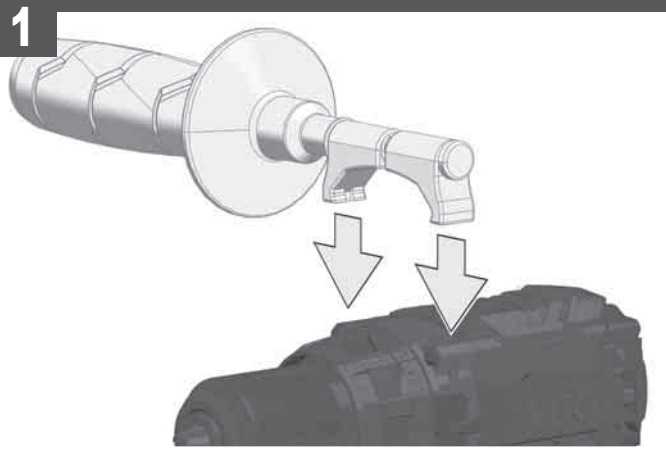
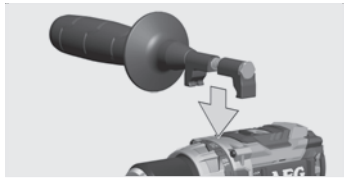


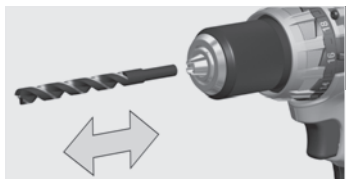
1



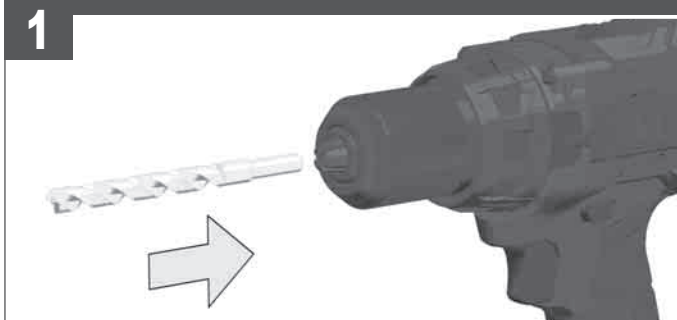
2



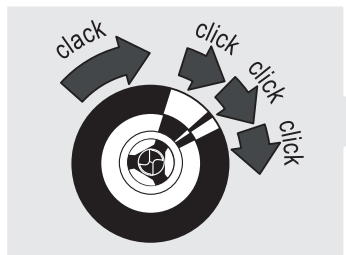
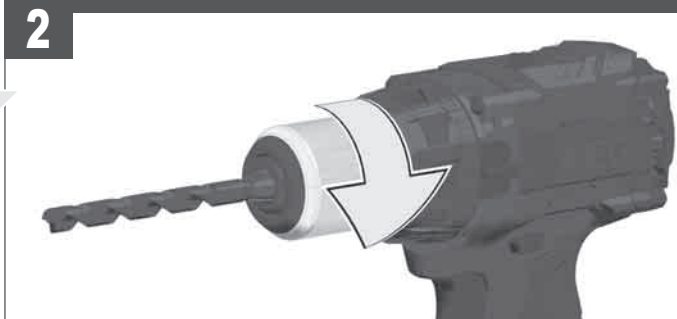




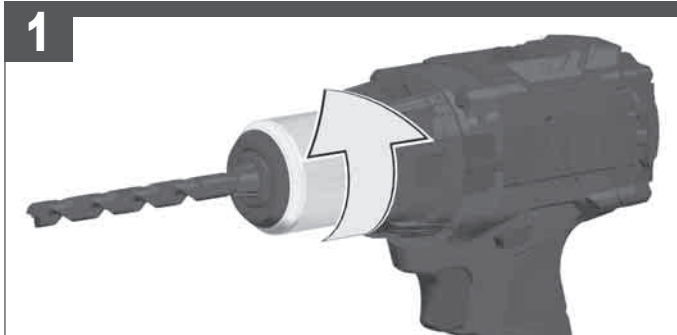
1



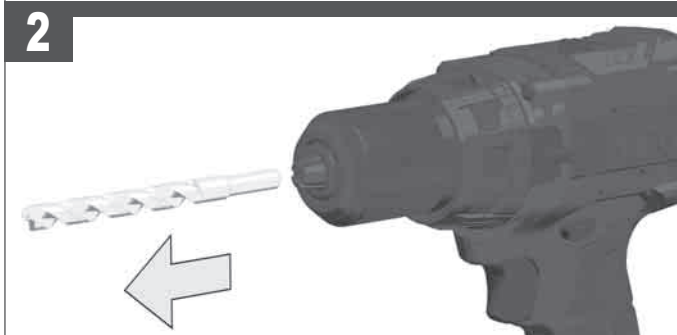
2



1

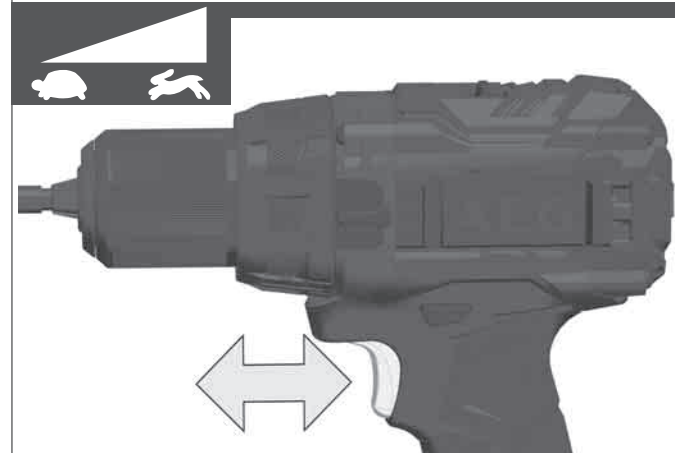
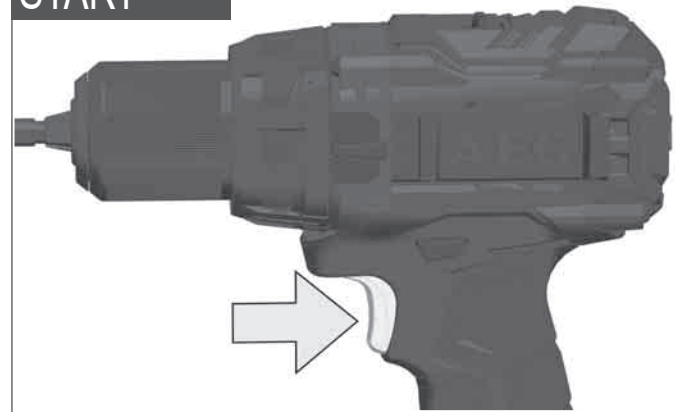


2

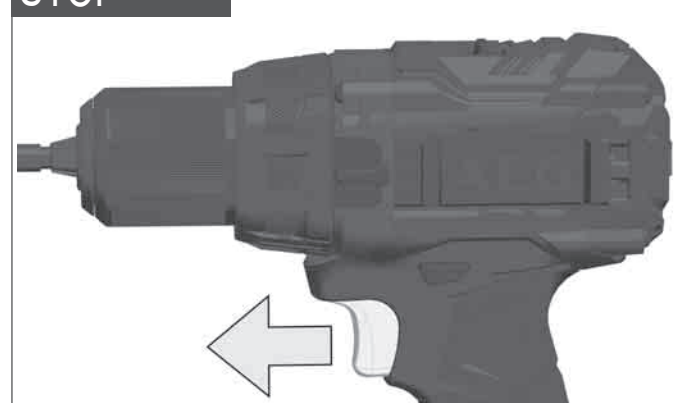


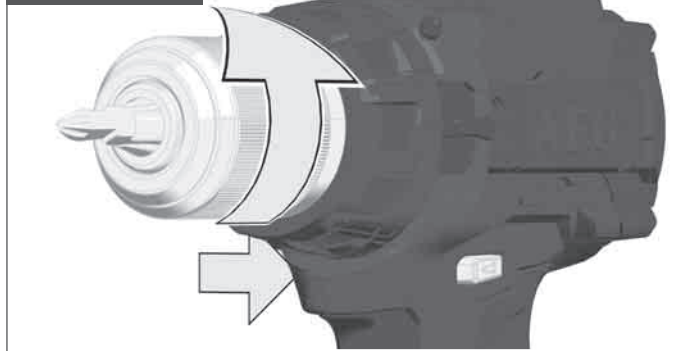
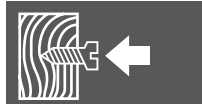
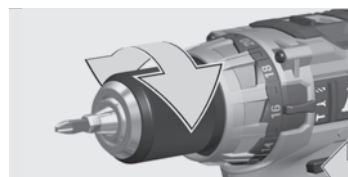
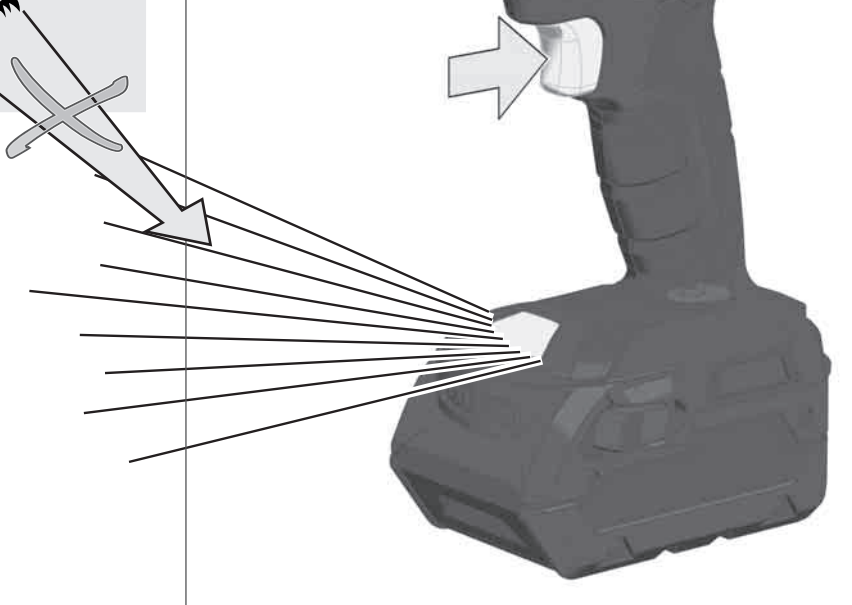
- Handle (insulated gripping surface)
- Handgriff (isolierte Grifffläche)
- Poignée (surface de prise isolée)
- Impugnatura (superficie di presa isolata)
- Empuñadura (superficie de agarre con aislamiento)
- Manipulo (superfície de pega isolada)
- Handgriep (geïsoleerd)
- Håndtag (isolerede gribefflader)
- Håndtak (isolert gripeflate)
- Handtag (isolerad greppyta)
- Kahva (eristetty tarttumapinta)
- Χειρολαβή (μονωμένη επιφάνεια λαβής)
- Ei kulpu (izolasyonlu tutma yüzeyi)
- Rukojeť (izolovaná uchopovací plocha)
- Rukoväť (izolovaná úchopná plocha)
- Uchwyt (z izolowaną powierzchnią)
- Fogantyú (szigetelt fogófelület)
- Ročaj (izolirana prijemalna površina)
- Rukohvat (izolirana površina za držanje)
- Rokturis (izolēta satveršanas virsma)
- Rankena (izoliuotas rankenos paviršius)
- Käerpeide (isoleeritud pideme piirkond)
- Рукоятка (изолированная поверхность ручки)
- Ръкохватка (изолирана повърхност за хващане)
- Måner (suprafață de prindere izolată)
- Дршка (изолирана површина)
- Ручка (изолювана поверхня ручки)
- المقبض (مساحة المقبض معزولة)

START

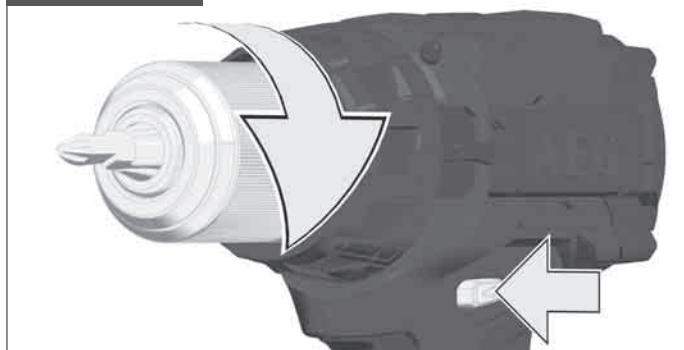
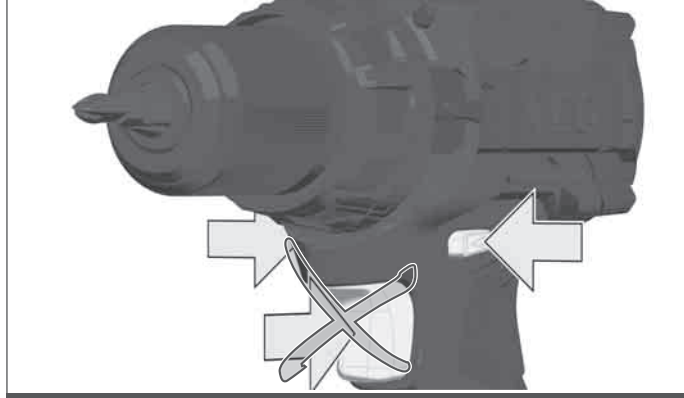


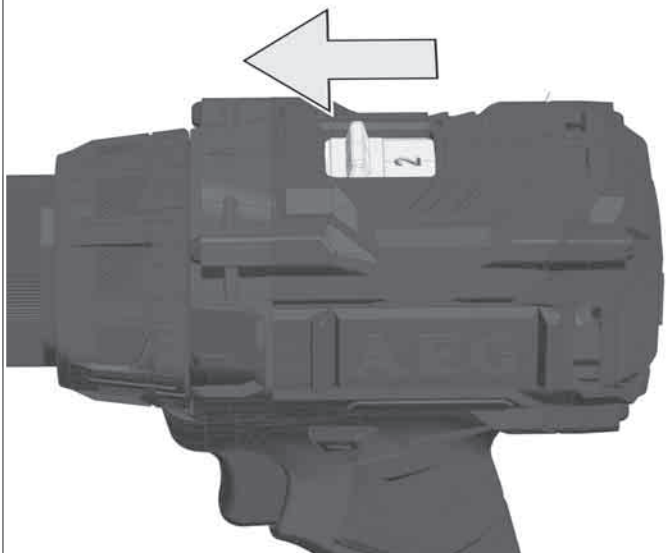
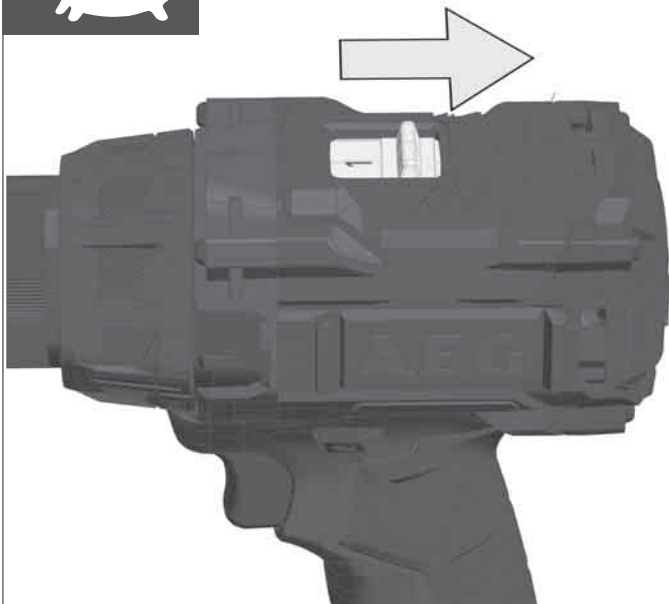
STOP



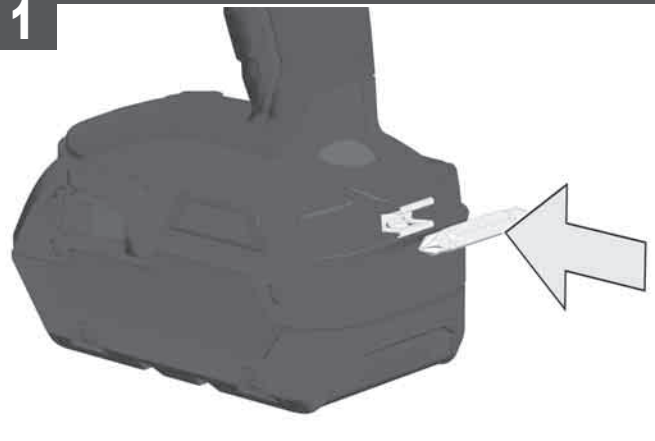


LOCK

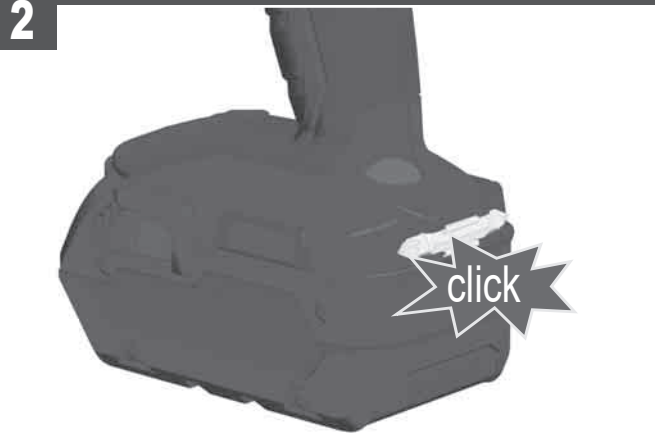


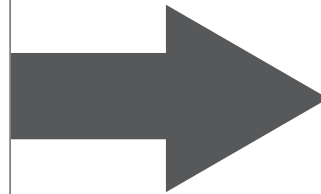
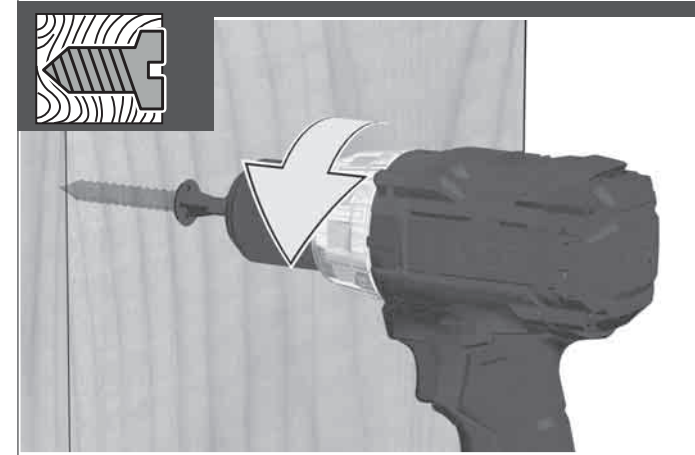
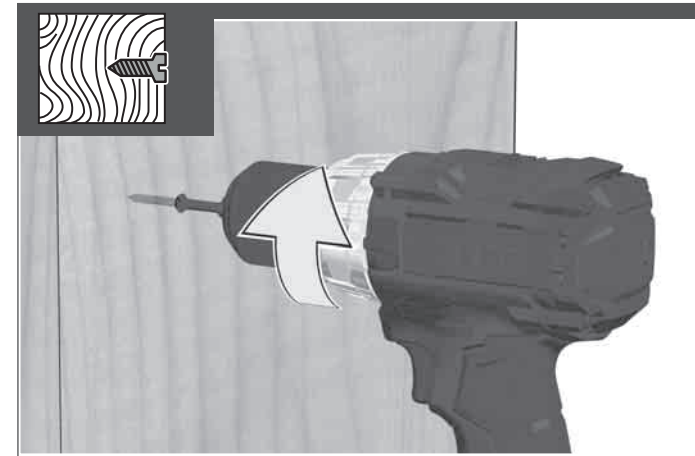
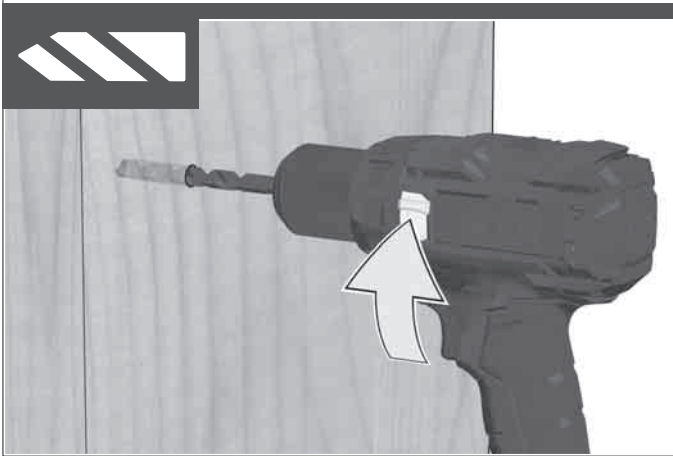
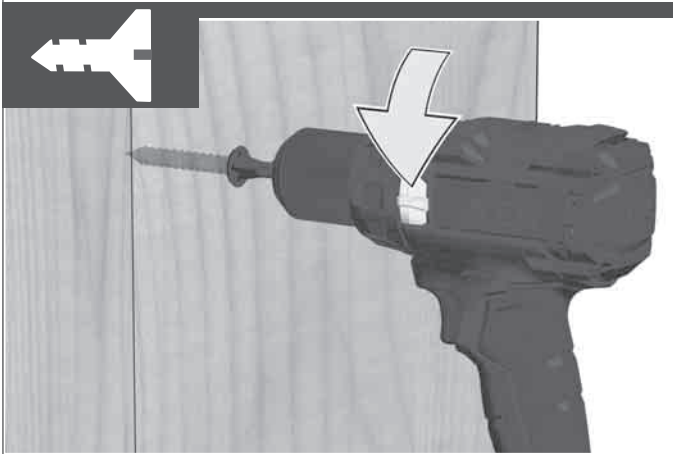
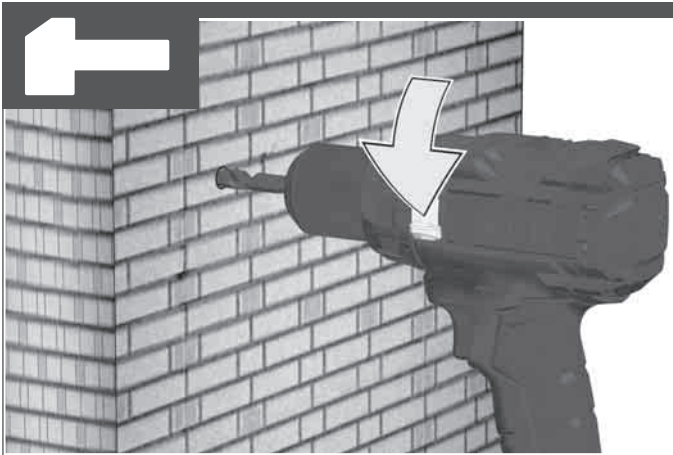
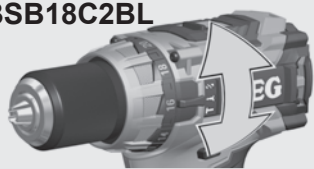


1



2





TECHNICAL DATA	CORDLESS PERCUSSION DRILL/DRIVER	BS18C2BL	BSB18C2BL
Production code.....	4674 89 01.....	4674 98 01.....	000001-999999
Drilling capacity in steel.....	13 mm.....	13 mm.....	
Drilling capacity in wood.....	40 mm.....	40 mm.....	
Drilling capacity in brick and tile.....	13 mm.....	13 mm.....	
Wood screws (without pre-drilling).....	6 mm.....	6 mm.....	
No-load speed 1st gear.....	0-500 min ⁻¹	0-500 min ⁻¹	
No-load speed 2nd gear.....	0-1950 min ⁻¹	0-1950 min ⁻¹	
Impact rate 1st gear.....	- min ⁻¹	0-6500 min ⁻¹	
Impact rate 2nd gear.....	- min ⁻¹	0-25350 min ⁻¹	
Torque with battery (1.5 Ah / 2.0 Ah) *1.....	60 Nm.....	60 Nm.....	
Torque with battery (3.0 Ah / 4.0 Ah) *1.....	65 Nm.....	65 Nm.....	
Battery voltage.....	18 V.....	18 V.....	
Drill chuck range.....	1,5-13 mm.....	1,5-13 mm.....	
Weight according EPTA-Procedure 01/2003 (1.5 Ah / 2.0 Ah).....	1,7 kg.....	1,8 kg.....	
Weight according EPTA-Procedure 01/2003 (3.0 Ah / 4.0 Ah).....	1,9 kg.....	2,0 kg.....	
Recommended ambient operating temperature.....	-18...+50 °C.....		
Recommended battery types.....	L1840R, L1830R, L1820R, L1815R.....		
Recommended charger.....	BL1218.....		

Noise/vibration information

Measured values determined according to EN 60745.

Typically, the A-weighted noise levels of the tool are:

Sound pressure level (Uncertainty K=3dB(A)).....	87,5 dB (A).....	87,5 dB (A).....
Sound power level (Uncertainty K=3dB(A)).....	98,5 dB (A).....	98,5 dB (A).....

Always wear ear protectors!

Total vibration values (vector sum in the three axes) determined according to EN 60745.

Vibration emission value a_h

Percussion drilling into concrete a _{h,1D}	9 m/s ²	
Uncertainty K=.....	1,5 m/s ²	
Drilling into metal a _{h,1D}	< 2,5 m/s ²	< 2,5 m/s ²
Uncertainty K=.....	1,5 m/s ²	1,5 m/s ²
Screwing a _{h,1D}	< 2,5 m/s ²	< 2,5 m/s ²
Uncertainty K=.....	1,5 m/s ²	1,5 m/s ²

*1 Measured according to AEG standard N 877318

WARNING

The vibration emission level given in this information sheet has been measured in accordance with a standardised test given in EN 60745 and may be used to compare one tool with another. It may be used for a preliminary assessment of exposure.

The declared vibration emission level represents the main applications of the tool. However if the tool is used for different applications, with different accessories or poorly maintained, the vibration emission may differ. This may significantly increase the exposure level over the total working period.

An estimation of the level of exposure to vibration should also take into account the times when the tool is switched off or when it is running but not actually doing the job. This may significantly reduce the exposure level over the total working period.

Identify additional safety measures to protect the operator from the effects of vibration such as: maintain the tool and the accessories, keep the hands warm, organisation of work patterns.

⚠ WARNING Read all safety warnings, instructions, illustrations and specifications provided with this power tool. Failure to follow all instructions listed below may result in electric shock, fire and/or serious injury. **Save all warnings and instructions for future reference.**

⚠ DRILL SAFETY WARNINGS

Wear ear protectors when impact drilling. Exposure to noise can cause hearing loss.

Use auxiliary handle(s), if supplied with the tool. Loss of control can cause personal injury.

Brace the tool properly before use. This tool produces a high output torque and without properly bracing the tool during operation, loss of control may occur resulting in personal injury.

Hold the power tool by insulated gripping surfaces, when performing an operation where the cutting accessory may contact hidden wiring. Cutting accessory contacting a "live" wire may make exposed metal parts of the power tool "live" and could give the operator an electric shock.

Never operate at higher speed than the maximum speed rated of the drill bit. At higher speeds, the bit is likely to bend if allowed to rotate freely without contacting the workpiece, resulting in personal injury.

Always start drilling at low speed and with the bit tip in contact with the workpiece. At higher speeds, the bit is likely to bend if allowed to rotate freely without contacting the workpiece, resulting in personal injury.

Apply pressure only in direct line with the bit and do not apply excessive pressure. Bits can bend causing breakage or loss of control, resulting in personal injury.

⚠ SCREWDRIVER SAFETY WARNINGS

Hold the power the tool by insulated gripping surfaces, when performing an operation where the fastener may contact hidden wiring. Fasteners contacting a "live" wire may make exposed metal parts of the power tool "live" and could give the operator an electric shock.

ADDITIONAL SAFETY AND WORKING INSTRUCTIONS

Use protective equipment. Always wear safety glasses when working with the machine. The use of protective clothing is recommended, such as dust mask, protective gloves, sturdy non-slip footwear, helmet and ear defenders.

The dust produced when using this tool may be harmful to health. Do not inhale the dust. Wear a suitable dust protection mask.

Do not machine any materials that present a danger to health (e.g. asbestos).

Switch the device off immediately if the insertion tool stalls! Do not switch the device on again while the insertion tool is stalled, as doing so could trigger a sudden recoil with a high reactive force. Determine why the insertion tool stalled and rectify this, paying heed to the safety instructions.

The possible causes may be:

- it is tilted in the workpiece to be machined
- it has pierced through the material to be machined
- the power tool is overloaded

Do not reach into the machine while it is running.

The insertion tool may become hot during use.

- when changing tools
- when setting the device down

Sawdust and splinters must not be removed while the machine is running.

When working in walls ceiling, or floor, take care to avoid electric cables and gas or waterpipes.

Clamp your workpiece with a clamping device. Unclamped workpieces can cause severe injury and damage.

Remove the battery pack before starting any work on the machine.

Do not dispose of used battery packs in the household refuse or by burning them. AEG Distributors offer to retrieve old batteries to protect our environment.

Do not store the battery pack together with metal objects (short circuit risk).

Use only System GBS chargers for charging System GBS battery packs. Do not use battery packs from other systems.

Never break open battery packs and chargers and store only in dry rooms. Keep dry at all times.

Battery acid may leak from damaged batteries under extreme load or extreme temperatures. In case of contact with battery acid wash it off immediately with soap and water. In case of eye contact rinse thoroughly for at least 10 minutes and immediately seek medical attention.

ALWAYS USE A SIDE HANDLE when using a 9.0 Ah or higher capacity battery pack; the output torque of some tools may increase. If your drill/driver did not come with a side handle, use the spare part side handle (see explosion drawing of the tool).

Do not insert the bit on tool when the tool is running, and switch is lock on status, the bit will be run and may hurt the user

Warning! To reduce the risk of fire, personal injury, and product damage due to a short circuit, never immerse your tool, battery pack or charger in fluid or al-low a fluid to flow inside them. Corrosive or conductive fluids, such as seawater, certain industrial chemicals, and bleach or bleach containing products, etc., Can cause a short circuit.

SPECIFIED CONDITIONS OF USE

The electronic battery percussion drill/screwdriver may be used for drilling, percussion drilling, as well as screwdriving for independent use away from mains supply.

Do not use this product in any other way as stated for normal use.

EC-DECLARATION OF CONFORMITY

We declare under our sole responsibility that the product described under "Technical Data" fulfills all the relevant regulations and the directives 2011/65/EU (RoHS), 2014/30/EU, 2006/42/EC, and the following harmonized standards have been used:

EN 60745-1:2009 + A11:2010
EN 60745-2-1:2010
EN 60745-2-2:2010
EN 55014-1:2017
EN 55014-2:2015
EN 50581:2012

Winnenden, 2018-02-08

Alexander Krug

Alexander Krug
Managing Director
Authorized to compile the technical file.
Techtronic Industries GmbH
Max-Eyth-Straße 10
71364 Winnenden
Germany



BATTERIES

Battery packs which have not been used for some time should be recharged before use.

Temperatures in excess of 50°C (122°F) reduce the performance of the battery pack. Avoid extended exposure to heat or sunshine (risk of overheating).

The contacts of chargers and battery packs must be kept clean.

For an optimum life-time, after use, the battery packs have to be fully charged.

To obtain the longest possible battery life remove the battery pack from the charger once it is fully charged.

For battery pack storage longer than 30 days:

Store the battery pack where the temperature is below 27°C and away from moisture

Store the battery packs in a 30% - 50% charged condition

Every six months of storage, charge the pack as normal.

BATTERY PACK PROTECTION

In extremely high torque, binding, stalling and short circuit situations that cause high current draw, the tool will vibrate for about 2 seconds and then the tool will turn OFF.

To reset, release the trigger.

Under extreme circumstances, the internal temperature of the battery could become too high. If this happens, the battery will shut down.

Place the battery on the charger to charge and reset it.

TRANSPORTING LITHIUM BATTERIES

Lithium-ion batteries are subject to the Dangerous Goods Legislation requirements.

Transportation of those batteries has to be done in accordance with local, national and international provisions and regulations.

- The user can transport the batteries by road without further requirements.
- Commercial transport of Lithium-Ion batteries by third parties is subject to Dangerous Goods regulations. Transport preparation and transport are exclusively to be carried out by appropriately trained persons and the process has to be accompanied by corresponding experts.

When transporting batteries:

- Ensure that battery contact terminals are protected and insulated to prevent short circuit.
- Ensure that battery pack is secured against movement within packaging.
- Do not transport batteries that are cracked or leak.

Check with forwarding company for further advice

MAINTENANCE

Use only AEG accessories and spare parts. Should components need to be replaced which have not been described, please contact one of our AEG service agents (see our list of guarantee/service addresses).

If needed, an exploded view of the tool can be ordered. Please state the machine type printed as well as the six-digit No. on the label and order the drawing at your local service agents or directly at: Techtronic Industries GmbH, Max-Eyth-Straße 10, 71364 Winnenden, Germany.

SYMBOLS



CAUTION! WARNING! DANGER!



Remove the battery pack before starting any work on the machine.



Please read the instructions carefully before starting the machine.



Do not dispose electric tools, batteries/rechargeable batteries together with household waste material. Electric tools and batteries that have reached the end of their life must be collected separately and returned to an environmentally compatible recycling facility. Check with your local authority or retailer for recycling advice and collection point.



No-load speed



Volts



Direct current



European Conformity Mark



National mark of conformity Ukraine



EurAsian Conformity Mark.

TECHNISCHE DATEN	AKKU-SCHLAGBOHRSCRAUBER	BS18C2BL	BSB18C2BL
Produktionsnummer	4674 89 01... ...000001-999999	4674 98 01... ...000001-999999
Bohr-Ø in Stahl.....	13 mm	13 mm
Bohr-Ø in Holz.....	40 mm	40 mm
Bohr-Ø in Ziegel und Kalksandstein.....	13 mm	13 mm
Holzschrauben (ohne Vorbohren).....	6 mm	6 mm
Leerlaufdrehzahl 1. Gang.....	0-500 min ⁻¹	0-500 min ⁻¹
Leerlaufdrehzahl 2. Gang.....	0-1950 min ⁻¹	0-1950 min ⁻¹
Schlagzahl 1. Gang.....	- min ⁻¹	0-6500 min ⁻¹
Schlagzahl 2. Gang.....	- min ⁻¹	0-25350 min ⁻¹
Drehmoment *1 (1,5 Ah / 2,0 Ah).....	60 Nm	60 Nm
Drehmoment *1 (3,0 Ah / 4,0 Ah).....	65 Nm	65 Nm
Spannung Wechselakku.....	18 V	18 V
Bohrfutterspannbereich.....	1,5-13 mm	1,5-13 mm
Gewicht nach EPTA-Prozedur 01/2003 (1,5 Ah / 2,0 Ah).....	1,7 kg	1,8 kg
Gewicht nach EPTA-Prozedur 01/2003 (3,0 Ah / 4,0 Ah).....	1,9 kg	2,0 kg
Empfohlene Umgebungstemperatur beim Arbeiten.....-18...+50 °C
Empfohlene Akkutypen.....	L1840R, L1830R, L1820R, L1815R
Empfohlene Ladegeräte.....BL1218

Geräusch/Vibrationsinformation

Messwerte ermittelt entsprechend EN 60745.

Der A-bewertete Geräuschpegel des Gerätes beträgt typischerweise:

Schalldruckpegel (Unsicherheit K=3dB(A))..... 87,5 dB (A)..... 87,5 dB (A)

Gehörschutz tragen! Schalleistungspegel (Unsicherheit K=3dB(A))..... 98,5 dB (A)..... 98,5 dB (A)

Schwingungsgesamtwerte (Vektorsumme dreier Richtungen) ermittelt entsprechend EN 60745.

Schwingungsemissionswert a _h			
Schlagbohren in Beton a _{h,10}	9 m/s ²	
Unsicherheit K =.....	1,5 m/s ²	
Bohren in Metall a _{h,D}	< 2,5 m/s ²	< 2,5 m/s ²
Unsicherheit K =.....	1,5 m/s ²	1,5 m/s ²
Schrauben a _h	< 2,5 m/s ²	< 2,5 m/s ²
Unsicherheit K =.....	1,5 m/s ²	1,5 m/s ²

*1 Gemessen nach AEG Standard N 877318

WARNUNG

Der in diesen Anweisungen angegebene Schwingungspegel ist entsprechend einem in EN 60745 genannten Messverfahren gemessen worden und kann für den Vergleich von Elektrowerkzeugen miteinander verwendet werden. Er eignet sich auch für eine vorläufige Einschätzung der Schwingungsbelastung.

Der angegebene Schwingungspegel repräsentiert die hauptsächlichsten Anwendungen des Elektrowerkzeugs. Wenn allerdings das Elektrowerkzeug für andere Anwendungen, mit abweichenden Einsatzwerkzeugen oder ungenügender Wartung eingesetzt wird, kann der Schwingungspegel abweichen. Dies kann die Schwingungsbelastung über den gesamten Arbeitszeitraum deutlich erhöhen.

Für eine genaue Abschätzung der Schwingungsbelastung sollten auch die Zeiten berücksichtigt werden, in denen das Gerät abgeschaltet ist oder zwar läuft, aber nicht tatsächlich im Einsatz ist. Dies kann die Schwingungsbelastung über den gesamten Arbeitszeitraum deutlich reduzieren.

Legen Sie zusätzliche Sicherheitsmaßnahmen zum Schutz des Bedieners vor der Wirkung von Schwingungen fest wie zum Beispiel: Wartung von Elektrowerkzeug und Einsatzwerkzeugen, Warmhalten der Hände, Organisation der Arbeitsabläufe.

⚠️ WARNUNG! Lesen Sie alle Sicherheitshinweise, Anweisungen, Darstellungen und Spezifikationen für dieses Elektrowerkzeug. Versäumnisse bei der Einhaltung der nachstehenden Anweisungen können elektrischen Schlag, Brand und/oder schwere Verletzungen verursachen.

⚠️ SICHERHEITSHINWEISE FÜR BOHRMASCHINEN

Tragen Sie Gehörschutz beim Schlagbohren. Die Einwirkung von Lärm kann Gehörverlust bewirken.

Benutzen Sie die mit dem Gerät gelieferten Zusatzhandgriffe, wenn diese mitgeliefert werden. Der Verlust der Kontrolle kann zu Verletzungen führen.

Halten Sie das Gerät vor Arbeitsbeginn am dafür vorgesehenen Griff gut fest.

Dieses Gerät erzeugt ein hohes Abtriebsdrehmoment und wenn Sie es während des Betriebs nicht gut festhalten, könnten Sie die Kontrolle darüber verlieren und sich verletzen.

Halten Sie das Gerät an den isolierten Griffflächen, wenn Sie Arbeiten ausführen, bei denen das Einsatzwerkzeug verborgene Stromleitungen oder das eigene Netzkabel treffen kann.

Der Kontakt mit einer spannungsführenden Leitung kann metallene Geräteteile unter Spannung setzen und zu einem elektrischen Schlag führen.

Verwenden Sie niemals eine höhere Drehzahl als die maximale Drehzahl, die für den Bohreinsatz angegeben ist. Bei höheren Drehzahlen kann sich der Bohreinsatz verbiegen, wenn er ohne Kontakt zum Werkstück dreht, was zu Verletzungen führen kann.

Starten Sie immer mit einer niedrigen Drehzahl und während sich der Bohreinsatz in Kontakt mit dem Werkstück befindet. Bei höheren Drehzahlen kann sich der Bohreinsatz verbiegen, wenn er ohne Kontakt zum Werkstück dreht, was zu Verletzungen führen kann.

Üben Sie Druck immer nur in direkter Ausrichtung zum Bohreinsatz aus und drücken Sie nicht zu fest. Bohreinsätze können verbiegen und brechen oder zu einem Verlust der Kontrolle über das Gerät führen, wodurch es wiederum zu Verletzungen kommen kann.

⚠️ SICHERHEITSHINWEISE FÜR SCHRAUBER

Halten Sie das Gerät an den isolierten Griffflächen, wenn Sie Arbeiten ausführen, bei denen die Schraube verborgene Stromleitungen treffen kann. Der Kontakt der Schraube mit einer spannungsführenden Leitung kann metallene Geräteteile unter Spannung setzen und zu einem elektrischen Schlag führen.

WEITERE SICHERHEITS- UND ARBEITSHINWEISE

Schutzrüstung verwenden. Beim Arbeiten mit der Maschine stets Schutzbrille tragen. Schutzkleidung wie Staubschutzmaske, Schutzhandschuhe, festes und rutschsicheres Schuhwerk, Helm und Gehörschutz werden empfohlen.

Beim Arbeiten entstehender Staub ist oft gesundheitsschädlich und sollte nicht in den Körper gelangen. Geeignete Staubschutzmaske tragen.

Es dürfen keine Materialien bearbeitet werden, von denen eine Gesundheitsgefährdung ausgeht (z.B. Asbest).

Beim Blockieren des Einsatzwerkzeuges bitte das Gerät sofort ausschalten! Schalten Sie das Gerät nicht wieder ein, solange das Einsatzwerkzeug blockiert ist; hierbei könnte ein Rückschlag mit hohem Reaktionsmoment entstehen. Ermitteln und beheben Sie die Ursache für die Blockierung des Einsatzwerkzeuges unter Berücksichtigung der Sicherheitshinweise.

Mögliche Ursachen dafür können sein:

- Verkannten im zu bearbeitenden Werkstück
- Durchbrechen des zu bearbeitenden Materials
- Überlasten des Elektrowerkzeuges

Greifen Sie nicht in die laufende Maschine.

Das Einsatzwerkzeug kann während der Anwendung heiß werden.

WARNUNG! Verbrennungsgefahr

- bei Werkzeugwechsel
- bei Ablegen des Gerätes

Späne oder Splitter dürfen bei laufender Maschine nicht entfernt werden.

Beim Arbeiten in Wand, Decke oder Fußboden auf elektrische Kabel, Gas- und Wasserleitungen achten.

Sichern Sie Ihr Werkstück mit einer Spannvorrichtung. Nicht gesicherte Werkstücke können schwere Verletzungen und Beschädigungen verursachen.

Vor allen Arbeiten an der Maschine den Wechselakku herausnehmen

Verbrauche Wechselakkus nicht ins Feuer oder in den Hausmüll werfen. AEG bietet eine umweltgerechte Alt-Wechselakku-Entsorgung an; bitte fragen Sie Ihren Fachhändler.

Wechselakku nicht zusammen mit Metallgegenständen aufbewahren (Kurzschlussgefahr).

Wechselakku des Systems GBS nur mit Ladegeräten des Systems GBS laden.

Keine Akkus aus anderen Systemen laden.

Wechselakku und Ladegeräte nicht öffnen und nur in trockenen Räumen lagern. Vor Rissen schützen.

Unter extremer Belastung oder extremer Temperatur kann aus beschädigten Wechselakkus Batterieflüssigkeit auslaufen. Bei Berührung mit Batterieflüssigkeit sofort mit Wasser und Seife abwaschen. Bei Augenkontakt sofort mindestens 10 Minuten gründlich spülen und unverzüglich einen Arzt aufsuchen.

IMMER EINEN ZUSATZHANDGRIFF VERWENDEN, wenn ein Akku mit einer Kapazität von 9,0 Ah oder höher verwendet wird; das Drehmoment einiger Elektrowerkzeuge kann sich erhöhen. Wurde Ihr Bohrschrauber oder Schlagbohrschrauber ohne Zusatzhandgriff geliefert, verwenden Sie bitte das Ersatzteil des Zusatzhandgriffs (siehe Explosionszeichnung des Elektrowerkzeuges). Setzen Sie keinen Bit ein, wenn die Maschine läuft und der Schalterdrücker nicht verriegelt ist. Der drehende Bit kann den Anwender verletzen.

Warnung! Um die durch einen Kurzschluss verursachte Gefahr eines Brandes, von Verletzungen oder Produktbeschädigungen zu vermeiden, tauchen Sie das Werkzeug, den Wechselakku oder das Ladegerät nicht in Flüssigkeiten ein und sorgen Sie dafür, dass keine Flüssigkeiten in die Geräte und Akkus eindringen. Korrodierende oder leitfähige Flüssigkeiten, wie Salzwasser, bestimmte Chemikalien und Bleichmittel oder Produkte, die Bleichmittel enthalten, können einen Kurzschluss verursachen.

BESTIMMUNGSGEMÄSSE VERWENDUNG

Der Akku-Elektronik-Schlagbohrschrauber ist universell einsetzbar zum Bohren, Schlagbohren und Schrauben unabhängig von einem Netzanschluss.

Dieses Gerät darf nur wie angegeben bestimmungsgemäß verwendet werden.

CE-KONFORMITÄTserklärung

Wir erklären in alleiniger Verantwortung, dass das unter „Technische Daten“ beschriebene Produkt mit allen relevanten Vorschriften der Richtlinie 2011/65/EU (RoHS), 2014/30/EU, 2006/42/EG und den folgenden harmonisierten normativen Dokumenten übereinstimmt:

EN 60745-1:2009 + A11:2010

EN 60745-2-1:2010

EN 55014-1:2017

EN 55014-2:2015

EN 50581:2012

Winnenden, 2018-02-08



Alexander Krug

Managing Director

Bevollmächtigt die technischen Unterlagen zusammenzustellen

Technronic Industries GmbH

Max-Eyth-Straße 10

71364 Winnenden

Germany



AKKUS

Längere Zeit nicht benutzte Wechselakkus vor Gebrauch nachladen.

Eine Temperatur über 50°C vermindert die Leistung des Wechselakkus. Längere Erwärmung durch Sonne oder Heizung vermeiden.

Die Anschlusskontakte an Ladegerät und Wechselakku sauber halten.

Für eine optimale Lebensdauer müssen nach dem Gebrauch die Akkus voll geladen werden.

Für eine möglichst lange Lebensdauer sollten die Akkus nach dem Aufladen aus dem Ladegerät entfernt werden.

Bei Lagerung des Akkus länger als 30 Tage:

Akku bei ca. 27°C und trocken lagern.

Akku bei ca. 30%-50% des Ladezustandes lagern.

Akku alle 6 Monate erneut aufladen.

AKKUÜBERLASTSCHUTZ

Bei Überlastung des Akkus durch sehr hohen Stromverbrauch, z.B. extrem hohe Drehmomente, Verklemmen des Bohrers, plötzlichem Stopp oder Kurzschluss, brummt das Elektrowerkzeug 2 Sekunden lang und schaltet sich selbsttätig ab. Zum Wiedereinschalten, den Schalterdrücker loslassen und dann wieder einschalten. Unter extremen Belastungen kann sich der Akku stark erhitzen. In diesem Fall schaltet der Akku ab.

Den Akku dann in das Ladegerät stecken um ihn wieder aufzuladen und zu aktivieren.

TRANSPORT VON LITHIUM-IONEN-AKKUS

Lithium-Ionen-Akkus fallen unter die gesetzlichen Bestimmungen zum Gefahrguttransport.

Der Transport dieser Akkus muss unter Einhaltung der lokalen, nationalen und internationalen Vorschriften und Bestimmungen erfolgen.

- Verbraucher dürfen diese Akkus ohne Weiteres auf der Straße transportieren.
- Der kommerzielle Transport von Lithium-Ionen-Akkus durch Speditionsunternehmen unterliegt den Bestimmungen des Gefahrguttransports. Die Versandvorbereitungen und der Transport dürfen ausschließlich von entsprechend geschulten Personen durchgeführt werden. Der gesamte Prozess muss fachmännisch begleitet werden.

Folgende Punkte sind beim Transport von Akkus zu beachten:

- Stellen Sie sicher, dass die Kontakte geschützt und isoliert sind, um Kurzschlüsse zu vermeiden.
- Achten Sie darauf, dass der Akkupack innerhalb der Verpackung nicht verrutschen kann.
- Beschädigte oder auslaufende Akkus dürfen nicht transportiert werden.

Wenden Sie sich für weitere Hinweise an Ihr Speditionsunternehmen.

WARTUNG

Nur AEG Zubehör und Ersatzteile verwenden. Bauteile, deren Austausch nicht beschrieben wurde, bei einer AEG Kundendienststelle auswechseln lassen (Broschüre Garantie/Kundendienstadressen beachten).

Bei Bedarf kann eine Explosionszeichnung des Gerätes unter Angabe der Maschinen Type und der sechsstelligen Nummer auf dem Leistungsschild bei Ihrer Kundendienststelle oder direkt bei Technronic Industries GmbH, Max-Eyth-Straße 10, 71364 Winnenden, Germany angefordert werden.

SYMBOLE



ACHTUNG! WARNUNG! GEFAHR!



Vor allen Arbeiten an der Maschine den Wechselakku herausnehmen



Bitte lesen Sie die Gebrauchsanweisung vor Inbetriebnahme sorgfältig durch.



Elektrogeräte, Batterien/Akkus dürfen nicht zusammen mit dem Hausmüll entsorgt werden. Elektrische Geräte und Akkus sind getrennt zu sammeln und zur umweltgerechten Entsorgung bei einem Verwertungsbetrieb abzugeben. Erkundigen Sie sich bei den örtlichen Behörden oder bei Ihrem Fachhändler nach Recyclinghöfen und Sammelstellen.



n₀ Leerlaufdrehzahl



V Spannung



— Gleichstrom



CE-Zeichen



EurAsian Konformitätszeichen.

DATI TECNICI	TRAPANO AVVITATORE A BATTERIA	BS18C2BL	BSB18C2BL
Numero di serie	4674 89 01... ...000001-999999	4674 98 01... ...000001-999999	
Ø Foratura in acciaio	13 mm	13 mm	
Ø Foratura in legno	40 mm	40 mm	
Ø Foratura in mattone e in arenaria calcarea	6 mm	6 mm	
Avvitatore nel legno (senza preforatura)	0-500 min ⁻¹	0-500 min ⁻¹	
Numero di giri a vuoto in 2. velocità	0-1950 min ⁻¹	0-1950 min ⁻¹	
Percussione a pieno in 1. velocità	- min ⁻¹	0-6500 min ⁻¹	
Percussione a pieno in 2. velocità	- min ⁻¹	0-25350 min ⁻¹	
Momento torcente *1 (1,5 Ah / 2,0 Ah)	60 Nm	60 Nm	
Momento torcente *1 (3,0 Ah / 4,0 Ah)	65 Nm	65 Nm	
Tensione batteria	18 V	18 V	
Capacità mandrino	1,5-13 mm	1,5-13 mm	
Peso secondo la procedura EPTA 01/2003 (1,5 Ah / 2,0 Ah)	1,7 kg	1,8 kg	
Peso secondo la procedura EPTA 01/2003 (3,0 Ah / 4,0 Ah)	1,9 kg	2,0 kg	
Temperatura consigliata durante il lavoro	-18...+50 °C		
Batterie consigliate	L1840R, L1830R, L1820R, L1815R		
Caricatori consigliati	BL1218		

Informazioni sulla rumorosità/sulle vibrazioni

Valori misurati conformemente alla norma EN 60745.

La misurazione A della pressione del livello sonoro di un utensile di solito deve essere

Livello di rumorosità (Incertezza della misura K=3dB(A))

Potenza della rumorosità (Incertezza della misura K=3dB(A))

Utilizzare le protezioni per l'udito!

Valori totali delle oscillazioni (somma di vettori in tre direzioni) misurati conformemente alla norma EN 60745

Valore di emissione dell'oscillazione a_h

Perforazione a percussione a_{h,10}

Incertezza della misura K=

Perforazione in metallo l_a

Incertezza della misura K=

Avvitatura a_h

Incertezza della misura K=

*1 Misurato conf. norma N 877318 AEG

AVVERTENZA

Il livello di vibrazioni indicato nelle presenti istruzioni è stato misurato in conformità con un procedimento di misurazione codificato nella EN 60745 e può essere utilizzato per un confronto tra attrezzi elettrici. Inoltre si può anche utilizzare per una valutazione preliminare della sollecitazione da vibrazioni.

Il livello di vibrazioni indicato rappresenta le applicazioni principali dell'attrezzo elettrico. Se viceversa si utilizza l'attrezzo elettrico per altri scopi, con accessori differenti o con una manutenzione insufficiente, il livello di vibrazioni può risultare diverso. E questo può aumentare decisamente la sollecitazione da vibrazioni lungo l'intero periodo di lavorazione.

Ai fini di una valutazione precisa della sollecitazione da vibrazioni si dovrebbero tenere presente anche i periodi in cui l'apparecchio rimane spento oppure, anche se acceso, non viene effettivamente utilizzato. Ciò può ridurre notevolmente la sollecitazione da vibrazioni lungo l'intero periodo di lavorazione.

Stabilite misure di sicurezza supplementari per la tutela dell'operatore dall'effetto delle vibrazioni, come ad esempio: manutenzione dell'attrezzo elettrico e degli accessori, riscaldamento delle mani, organizzazione dei processi di lavoro.

AVVERTENZA! Leggere tutte le avvertenze di sicurezza, istruzioni operative, illustrazioni e specifiche fornite con questo elettrotensile. Il mancato rispetto delle istruzioni di seguito riportate può causare scosse elettriche, incendi e/o lesioni gravi.

INDICAZIONI DI SICUREZZA PER TRAPANI

Indossare cuffie protettive durante la trapanatura a percussione. L'esposizione al rumore potrebbe comportare una riduzione dell'udito.

Utilizzare l'utensile con la sua impugnatura supplementare. La perdita di controllo potrebbe causare danneggiamenti all'utilizzatore.

Prima di iniziare il lavoro, afferrare bene il dispositivo sull'apposita impugnatura. Questo dispositivo genera un'alta coppia motrice e se non viene afferrato bene durante l'uso, potreste perderne il controllo e ferirvi.

Impugnare l'apparecchio sulle superfici di tenuta isolate mentre si eseguono lavori durante i quali l'utensile da taglio potrebbe entrare in contatto con cavi di corrente o con il proprio cavo d'alimentazione.

L'eventuale contatto dell'utensile da taglio con un cavo sotto tensione potrebbe mettere sotto tensione le parti metalliche dell'apparecchio e provocare una folgorazione.

Non usare mai un numero di giri superiore a quello massimo indicato per la punta da trapano. Lavorando con un numero di giri superiore, la punta potrebbe piegarsi quando gira senza contatto con il pezzo in lavorazione e potrebbe causare lesioni.

Iniziare sempre con un numero di giri basso e con la punta in contatto con il pezzo in lavorazione. Lavorando con un numero di giri superiore, la punta potrebbe piegarsi quando gira senza contatto con il pezzo in lavorazione e potrebbe causare lesioni.

Esercitare pressione soltanto nella stessa direzione della punta e non premere troppo. Le punte potrebbero piegarsi e rompersi o potrebbero causare la perdita di controllo sul dispositivo, il che a sua volta potrebbe causare lesioni.

INDICAZIONI DI SICUREZZA PER AVVITATORI

Quando si svolge un'operazione in cui la vite potrebbe entrare in contatto con conduttori elettriche nascoste impugnare l'apparecchio afferrandolo per le superfici isolate. La vite che entra in contatto con una conduttura in tensione può mettere sotto tensione le parti metalliche dell'apparecchio e causare scosse elettriche.

ULTERIORI AVVISI DI SICUREZZA E DI LAVORO

Usare dispositivi di protezione. Durante il lavoro con la macchina bisogna sempre portare occhiali di protezione. Si consiglia di indossare indumenti di protezione come maschera antipolvere, guanti di protezione, scarpe antiscivolo robuste, casco e cuffie di protezione acustica.

La polvere che si produce durante il lavoro è spesso dannosa per la salute e non dovrebbe essere aspirata. Portare un'adeguata mascherina protettiva. E' vietato lavorare materiali che possono costituire pericoli alla salute (ad es. amianto).

Spegnerne immediatamente il dispositivo in caso di bloccaggio! Non riaccendere il dispositivo fino a quando l'utensile ad inserto resta bloccato; esiste il rischio di causare un contraccolpo con elevato momento di reazione. Rilevare ed eliminare la causa del bloccaggio dell'utensile ad inserto tenendo conto delle indicazioni di sicurezza.

Le possibili cause sono:

- Incastro nel pezzo in lavorazione
- Il dispositivo ha attraversato il materiale da lavorare rompendolo
- Il dispositivo elettrico è stato sovraccaricato

Non avvicinare le mani alla parte della macchina in movimento.

Durante l'uso l'utensile ad inserto può surriscaldarsi.

AVVERTENZA! Pericolo di ustioni

- durante la sostituzione dell'utensile
- durante il deposito dell'utensile

Non rimuovere trucioli o schegge mentre l'utensile è in funzione.

Forando pareti, soffitti o pavimenti, si faccia attenzione ai cavi elettrici e alle condutture dell'acqua e del gas.

Fissare in sicurezza il pezzo in lavorazione con un dispositivo di serraggio.

Pezzi in lavorazione che non siano fissati in sicurezza possono causare gravi lesioni e danni.

Prima di iniziare togliere la batteria dalla macchina.

Non gettare le batterie esaurite sul fuoco o nella spazzatura di casa. La AEG offre infatti un servizio di recupero batterie usate.

Nel vano d'innesto per la batteria del caricatore non devono entrare parti metalliche (pericolo di cortocircuito).

Le batterie del System GBS sono ricaricabili esclusivamente con i caricatori del System GBS. Le batterie di altri sistemi non possono essere ricaricate.

Non aprire né la batteria né il caricatore e conservarli solo in luogo asciutto. Proteggerli dalla umidità.

Nel caso di batterie danneggiate da un carico eccessivo o da temperature alte, l'acido di queste potrebbe fuoriuscire. In caso di contatto con l'acido delle batterie lavarsi immediatamente con acqua e sapone. In caso di contatto con gli occhi risciacquare immediatamente con acqua per almeno 10 minuti e contattare subito un medico.

USARE SEMPRE UN'IMPUGNATURA AGGIUNTIVA se si usa una batteria con capacità di 9,0 Ah o superiore; la coppia di alcuni utensili elettrici potrebbe aumentare. Se il vostro trapano avvitatore o trapano avvitatore a percussione è sprovvisto di impugnatura aggiuntiva, si prega di utilizzare l'impugnatura aggiuntiva di ricambio (vedi il disegno esploso dell'utensile elettrico).

Non inserire la punta quando la macchina è in funzione e quando l'interruttore a pressione non è bloccato. La punta rotante può ferire l'utilizzatore.

Attenzione! Per ridurre il rischio d'incendio, di lesioni o di danni al prodotto causati da corto circuito, non immergere mai l'utensile, la batteria ricaricabile o il carica batterie in un liquido e non lasciare alcun liquido all'interno dei dispositivi e delle batterie. I fluidi corrosivi o conduttori come acqua salata, alcuni agenti chimici, agenti candeggianti o prodotti contenenti agenti candeggianti potrebbero provocare un corto circuito.

UTILIZZO CONFORME

Il trapano a percussione-avvitatore Accu è indicato per forare a rotazione, a percussione, per avvitare, indipendentemente dal collegamento elettrico.

Utilizzare il prodotto solo per l'uso per cui è previsto.

DICHIARAZIONE DI CONFORMITÀ CE

Dichiariamo sotto la nostra esclusiva responsabilità che il prodotto descritto ai "Dati tecnici" corrisponde a tutte le disposizioni delle direttive 2011/65/EU (RoHS), 2014/30/UE, 2006/42/CE e successivi documenti normativi armonizzati: EN 60745-1:2009 + A11:2010
EN 60745-2-1:2010
EN 55014-1:2017
EN 55014-2:2015
EN 50581:2012

Winnenden, 2018-02-08

Alexander Krug

Alexander Krug
Managing Director

Autorizzato alla preparazione della documentazione tecnica
Techtronic Industries GmbH
Max-Eyth-Straße 10
71364 Winnenden
Germany



BATTERIE

Batterie non utilizzate per molto tempo devono essere ricaricate prima dell'uso. A temperature superiori ai 50°C, la potenza della batteria si riduce. Evitare di esporre l'accumulatore a surriscaldamento prolungato, dovuto ad esempio ai raggi del sole o ad un impianto di riscaldamento.

Per una durata di vita ottimale, dopo l'uso le batterie devono essere completamente ricaricate.

Per una più lunga durata, rimuovere le batterie dal caricabatterie quando saranno cariche.

In caso di immagazzinaggio della batteria per più di 30 giorni: Immagazzinare la batteria a circa 27°C in ambiente asciutto.

Immagazzinare la batteria con carica di circa il 30% - 50%. Ricaricare la batteria ogni 6 mesi.

DISPOSITIVO ANTISOVRACCARICO ACCUMULATORE

In caso di sovraccarico dell'accumulatore dovuto a consumo molto elevato di corrente, ad es. coppie di serraggio estremamente elevate, bloccaggio della punta, arresto improvviso o cortocircuito, l'elettrotensile romba per 2 secondi e poi si spegne automaticamente.

Per riaccenderlo, rilasciare l'interruttore e poi riaccenderlo. Se sottoposto a carichi estremi, l'accumulatore può surriscaldarsi. In questo caso l'accumulatore si spegne. Inserire l'accumulatore nell'apparecchio carica-batterie per ricaricarlo e attivarlo.

TRASPORTO DI BATTERIE AGLI IONI DI LITIO

Le batterie agli ioni di litio sono soggette alle disposizioni di legge sul trasporto di merce pericolosa.

Il trasporto di queste batterie deve avvenire rispettando le disposizioni e norme locali, nazionali ed internazionali.

- Gli utilizzatori possono trasportare queste batterie su strada senza alcuna restrizione.
- Il trasporto commerciale di batterie agli ioni di litio è regolato dalle disposizioni sul trasporto di merce pericolosa. Le preparazioni al trasporto ed il trasporto stesso devono essere svolti esclusivamente da persone idoneamente istruite. Tutto il processo deve essere gestito in maniera professionale.

Durante il trasporto di batterie occorre tenere conto di quanto segue:

- Assicurarsi che i contatti siano protetti ed isolati per evitare corto circuiti.
- Accertarsi che il gruppo di batterie non possa spostarsi all'interno dell'imballaggio.
- Batterie danneggiate o batterie che perdono liquido non devono essere trasportate.

Per ulteriori informazioni si prega di contattare il proprio trasportatore.

MANUTENZIONE

Usare solo accessori AEG e pezzi di ricambio AEG. Gruppi costruttivi la cui sostituzione non è stata descritta, devono essere fatti cambiare da un punto di servizio di assistenza tecnica al cliente AEG (vedi depliant garanzia/indirizzi assistenza tecnica ai clienti).

In caso di necessità è possibile richiedere un disegno esploso del dispositivo indicando il modello della macchina ed il numero a sei cifre sulla targa di potenza rivolgendosi al centro di assistenza tecnica o direttamente a Techtronic Industries GmbH, Max-Eyth-Straße 10, 71364 Winnenden, Germany.

SIMBOLI

	ATTENZIONE! AVVERTENZA! PERICOLO!
	Prima di iniziare togliere la batteria dalla macchina.
	Leggere attentamente le istruzioni per l'uso prima di mettere in funzione l'elettrotensile.
	I dispositivi elettrici, le batterie e le batterie ricaricabili non devono essere smaltiti con i rifiuti domestici. I dispositivi elettrici e le batterie devono essere raccolti separatamente e devono essere conferiti ad un centro di riciclaggio per lo smaltimento rispettoso dell'ambiente. Chiedere alle autorità locali o al rivenditore specializzato dove si trovano i centri di riciclaggio e i punti di raccolta.
n	Numero di giri a vuoto
V	Volt
	Corrente continua
	Marchio CE
	Simbolo di conformità nazionale Ucraina
TR 066	
	Marchio di conformità EurAsian

DATOS TÉCNICOS	TALADRO COMBI A BATERÍA	BS18C2BL	BSB18C2BL
Número de producción.....	4674 89 01.....	4674 98 01.....	000001-999999
Diámetro de taladrado en acero.....	13 mm.....	13 mm.....	40 mm.....
Diámetro de taladrado en madera.....	40 mm.....	40 mm.....	13 mm.....
Diámetro de taladrado ladrillo y losetas.....	6 mm.....	6 mm.....	6 mm.....
Tornillos para madera (sin pretaladrar).....	0-500 min ⁻¹	0-500 min ⁻¹	0-1950 min ⁻¹
Velocidad en vacío 1ª velocidad.....	0-1950 min ⁻¹	0-1950 min ⁻¹	0-6500 min ⁻¹
Velocidad en vacío 2ª velocidad.....	- min ⁻¹	0-25350 min ⁻¹	60 Nm.....
Frecuencia de impactos.....	60 Nm.....	65 Nm.....	65 Nm.....
Frecuencia de impactos.....	65 Nm.....	18 V.....	18 V.....
Par *1 (1,5 Ah / 2,0 Ah).....	1,5-13 mm.....	1,5-13 mm.....	1,8 kg.....
Par *1 (1,5 Ah / 2,0 Ah).....	1,7 kg.....	2,0 kg.....	1,9 kg.....
Voltaje de batería.....	18 V.....	18 V.....	18 V.....
Gama de apertura del portabrocas.....	1,5-13 mm.....	1,5-13 mm.....	1,8 kg.....
Peso de acuerdo con el procedimiento EPTA 01/2003 (1,5 Ah / 2,0 Ah).....	1,7 kg.....	2,0 kg.....	1,9 kg.....
Peso de acuerdo con el procedimiento EPTA 01/2003 (3,0 Ah / 4,0 Ah).....	1,9 kg.....	2,0 kg.....	1,9 kg.....
Temperatura ambiente recomendada durante el trabajo.....	18...+50 °C.....	18...+50 °C.....	18...+50 °C.....
Tipos de acumulador recomendados.....	L1840R, L1830R, L1820R, L1815R.....	L1840R, L1830R, L1820R, L1815R.....	L1840R, L1830R, L1820R, L1815R.....
Cargadores recomendados.....	BL1218.....	BL1218.....	BL1218.....

Información sobre ruidos / vibraciones

Determinación de los valores de medición según norma EN 60745.

La presión acústica se eleva normalmente

Presión acústica (Tolerancia K=3dB(A)).....

Resonancia acústica (Tolerancia K=3dB(A)).....

Usar protectores auditivos!

Nivel total de vibraciones (suma vectorial de tres direcciones) determinado según EN 60745.

Valor de vibraciones generadas a:

taladrado de percusión a _{h,D}	9 m/s ²
Tolerancia K =.....	1,5 m/s ²	1,5 m/s ²
taladrado en metal I a _{h,D}	< 2,5 m/s ²	< 2,5 m/s ²
Tolerancia K =.....	1,5 m/s ²	1,5 m/s ²
tornillos a _{h,D}	< 2,5 m/s ²	< 2,5 m/s ²
Tolerancia K =.....	1,5 m/s ²	1,5 m/s ²

*1 Medido según norma AEG N 877318

ADVERTENCIA

El nivel vibratorio indicado en estas instrucciones ha sido medido conforme a un método de medición estandarizado en la norma EN 60745, y puede utilizarse para la comparación entre herramientas eléctricas. También es apropiado para una estimación provisional de la carga de vibración.

El nivel vibratorio indicado representa las aplicaciones principales de la herramienta eléctrica. Si, pese a ello, se utiliza la herramienta eléctrica para otras aplicaciones, con útiles adaptables diferentes o con un mantenimiento insuficiente, el nivel vibratorio puede diferir. Esto puede incrementar sensiblemente la carga de vibración durante todo el periodo de trabajo.

Para una estimación exacta de la carga de vibración deberían tenerse en cuenta también los tiempos durante los que el aparato está apagado o, pese a estar en funcionamiento, no está siendo realmente utilizado. Esto puede reducir sustancialmente la carga de vibración durante todo el periodo de trabajo.

Adopte medidas de seguridad adicionales para la protección del operador frente al efecto de las vibraciones, como por ejemplo: mantenimiento de la herramienta eléctrica y de los útiles adaptables, mantener las manos calientes, organización de los procesos de trabajo.

ADVERTENCIA: Lea todas las advertencias de peligro, instrucciones, ilustraciones y especificaciones suministradas con esta herramienta eléctrica. En caso de no atenderse a las instrucciones siguientes, ello puede ocasionar una descarga eléctrica, un incendio y/o lesión grave.

INSTRUCCIONES DE SEGURIDAD PARA TALADRADORAS

Utilice protectores de oídos al taladrar con percusión. La exposición a niveles de ruido excesivos puede causar la pérdida de audición.

¡Utilice las empuñaduras auxiliares suministradas con la herramienta! La pérdida de control de la herramienta puede causar accidentes.

Antes de comenzar a trabajar, coja el aparato firmemente por la empuñadura prevista para ello. Este aparato genera un elevado par de torsión de salida y si usted no lo agarra bien durante su funcionamiento podría perder el control del mismo y lesionarse.

Sujete el aparato de las superficies aisladas de agarre al efectuar trabajos en los cuales la perforadora de percusión pueda entrar en contacto con conductores de corriente ocultos o con el propio cable.

El contacto de la perforadora de percusión con un conducto con energía aplicada también podrá poner bajo tensión partes metálicas del aparato y causar un choque eléctrico.

No lo utilice nunca con una velocidad de giro superior a la velocidad de giro máxima indicada para la broca de taladro. A velocidades de giro más elevadas, la broca de taladro se puede doblar cuando esta taladra sin tener contacto con la pieza de trabajo, lo cual puede provocar lesiones.

Comience siempre con una velocidad de giro baja y siempre que la broca de taladro esté en contacto con la pieza de trabajo. A velocidades de giro más elevadas, la broca de taladro se puede doblar cuando esta taladra sin tener contacto con la pieza de trabajo, lo cual puede provocar lesiones.

Ejerza siempre presión solo si lo hace en línea directa respecto de la broca de taladro y no apriete demasiado fuertemente. Las brocas de taladro pueden doblarse y romperse o provocar la pérdida de control del aparato, lo cual a su vez puede ocasionar lesiones.

INSTRUCCIONES DE SEGURIDAD PARA ATORNILLADORES

Sujete el aparato por las superficies de sujeción aisladas cuando realice trabajos en los que el tornillo puede alcanzar líneas de corriente eléctrica ocultas. El contacto del tornillo con una línea conductora de corriente puede poner las partes metálicas del aparato bajo tensión y provocar un choque eléctrico.

INSTRUCCIONES ADICIONALES DE SEGURIDAD Y LABORALES

Utilice el equipamiento de protección. Mientras trabaje con la máquina lleve siempre gafas protectoras. Se recomienda utilizar ropa de protección como máscara protectora contra el polvo, guantes protectores, calzado resistente y antideslizante, casco y protección para los oídos.

El polvo que se produce durante estos trabajos puede ser nocivo a la salud; es por ello aconsejable que no penetre al cuerpo. Utilice por ello una máscara protectora contra polvo.

No se deben trabajar materiales que conlleven un riesgo para la salud (por ej. amianto).

¡En caso de que se bloquee el útil, el aparato se debe desconectar inmediatamente! No vuelva a conectar el aparato, mientras el útil esté bloqueado; se podría producir un rechazo debido a la reacción de retroceso brusca. Averigüe y elimine la causa del bloqueo del útil, teniendo en cuenta las indicaciones de seguridad.

Causas posibles para ello pueden ser:

- Atascamiento o bloqueo en la pieza de trabajo
- Rotura del material con el que está trabajando
- Sobrecarga de la herramienta eléctrica

No introduzca las manos en la máquina mientras ésta se encuentra en funcionamiento.

El útil se puede calentar durante el uso.

ADVERTENCIA! Peligro de quemaduras

- en caso de cambiar la herramienta
- en caso de depositar el aparato

Nunca se debe intentar limpiar el polvo o viruta procedente del taladrado con la máquina en funcionamiento.

Para trabajar en paredes, techo o suelo, tenga cuidado para evitar los cables eléctricos y tuberías de gas o agua.

Fije la pieza de trabajo con un dispositivo de fijación. Las piezas de trabajo no fijadas pueden causar lesiones graves y deterioros.

Retire la batería antes de comenzar cualquier trabajo en la máquina.

No tire las baterías usadas a la basura ni al fuego. Los Distribuidores AEG ofrecen un servicio de recogida de baterías antiguas para proteger el medio ambiente.

No almacene la batería con objetos metálicos (riesgo de cortocircuito).

Recargar solamente los acumuladores del Sistema GBS en cargadores GBS. No intentar recargar acumuladores de otros sistemas.

No abra nunca las baterías ni los cargadores y guárdelos sólo en lugares secos. Protéjalos de la humedad en todo momento.

En caso de sobrecarga o alta temperatura, pueden llegar a producirse escapes de ácido provenientes de la batería. En caso de contacto con éste, limpie inmediatamente la zona con agua y jabón. Si el contacto es en los ojos, límpiese concienzudamente con agua durante 10 minutos y acuda inmediatamente a un médico.

UTILICE SIEMPRE UN ASA ADICIONAL cuando se usa un acumulador con una capacidad de 9,0 Ah o superior; el par de torsión de algunas herramientas eléctricas puede aumentar. Si su taladro atornillador o su atornillador de impacto se entregó sin asa adicional, por favor, utilice la pieza de recambio del asa adicional (véase el plano de despiece de la herramienta eléctrica).

No coloque ninguna broca cuando la máquina esté en funcionamiento y el interruptor pulsador no esté bloqueado. Al girar, la broca puede provocar lesiones al usuario.

Advertencia! Para reducir el riesgo de incendio, lesión personales y daños al producto debido a un cortocircuito, no sumerja nunca la herramienta, el pa-quete de baterías o el cargador en líquido ni permita que fluya un fluido dentro de ellos. Los fluidos corrosivos o conductivos, como el agua de mar, ciertos productos químicos industriales y blanqueadores o lejías que contienen, etc., Pueden causar un cortocircuito.

El taladro-atornillador electrónico por acumulador es utilizable en todo tipo de trabajos taladrar, con y sin percusión, atornillar sin depender de una toma de corriente. No utilice este producto para ninguna otra aplicación que no sea su uso normal.

Declaración de conformidad CE

Declaro bajo nuestra responsabilidad que el producto descrito bajo "Datos técnicos" está en conformidad con todas las normas relevantes de la directiva 2011/65/EU (RoHS), 2014/30/UE, 2006/42/CE y con las siguientes normas o documentos normalizados:

EN 60745-1:2009 + A11:2010
EN 60745-2-1:2010
EN 55014-1:2017
EN 55014-2:2015
EN 50581:2012

Winnenden, 2018-02-08

DECLARACIÓN DE ACUERDO A LA FINALIDAD

El taladro-atornillador electrónico por acumulador es utilizable en todo tipo de trabajos taladrar, con y sin percusión, atornillar sin depender de una toma de corriente. No utilice este producto para ninguna otra aplicación que no sea su uso normal.

Declaración de conformidad CE

Declaro bajo nuestra responsabilidad que el producto descrito bajo "Datos técnicos" está en conformidad con todas las normas relevantes de la directiva 2011/65/EU (RoHS), 2014/30/UE, 2006/42/CE y con las siguientes normas o documentos normalizados:

EN 60745-1:2009 + A11:2010
EN 60745-2-1:2010
EN 55014-1:2017
EN 55014-2:2015
EN 50581:2012

Winnenden, 2018-02-08

Alexander Krug
Managing Director

Autorizado para la redacción de los documentos técnicos.
Technonic Industries GmbH
Max-Eyth-Straße 10
71364 Winnenden
Germany

CE

CE

CE

CE

CE

CE

CE

CE

CE

CE

CE

CE

CE

CE

CE

CE

CE

automáticamente. Para reconectarla, libere primero el gatillo interruptor y después conéctala de nuevo.

Bajo cargas extremas, el acumulador se puede calentar mucho. En este caso desconecte el acumulador.

Meta entonces la batería en el cargador para recargarla otra vez y activarla.

TRANSPORTE DE BATERÍAS DE IONES DE LITIO

Las baterías de iones de litio caen bajo las disposiciones legales relativas al transporte de mercancías peligrosas.

El transporte de estas baterías recargables debe llevarse a cabo, observando las normas y disposiciones locales, nacionales e internacionales.

- Los consumidores pueden transportar estas baterías recargables sin el menor reparo en la calle.

- El transporte comercial de baterías recargables de iones de litio por empresas de transportes está sometido a las disposiciones del transporte de mercancías peligrosas. Las preparaciones para el envío y el transporte deben ser llevados a cabo exclusivamente por personas instruidas adecuadamente. El proceso completo debe ser supervisado por personal competente.

Los siguientes puntos se deben observar para el transporte de las baterías recargables:

- Se debe asegurar que los contactos estén protegidos y aislados para evitar que se produzcan cortocircuitos.

- Preste atención a que el conjunto de baterías recargables no se pueda desplazar dentro del envase.

- Las baterías recargables deterioradas o derramadas no se deben transportar.

Rogamos que para cualquier información adicional se dirija a su empresa de transportes.

MANTENIMIENTO

Utilice solamente accesorios y repuestos AEG. En caso de necesitar reemplazar componentes no descritos, contacte con cualquiera de nuestras estaciones de servicio AEG (consultar lista de servicio técnicos)

Puede solicitar, en caso necesario, una vista despiezada del aparato bajo indicación del tipo de máquina y el número de seis dígitos en la placa indicadora de potencia en su Servicio de Postventa o directamente en Technonic Industries GmbH, Max-Eyth-Straße 10, 71364 Winnenden, Germany.

SÍMBOLOS

¡ATENCIÓN! ¡ADVERTENCIA! ¡PELIGRO!

Retire la batería antes de comenzar cualquier trabajo en la máquina.

Lea las instrucciones detenidamente antes de conectar la herramienta

Los electrodomésticos y las baterías/acumuladores no se deben eliminar junto con la basura doméstica.

Los aparatos eléctricos y los acumuladores se deben recoger por separado y se deben entregar a una empresa de reciclaje para una eliminación respetuosa con el medio ambiente.

Informe en las autoridades locales o en su tienda especializada sobre los centros de reciclaje y puntos de recogida.

Velocidad en vacío

Voltios de CA

Corriente continua

Marca CE

Marca de conformidad nacional de Ucrania

certificado EAC de conformidad

TEKNISKE DATA	AKKU SLAGBORE-/SKRUEMASKINE	BS18C2BL	BSB18C2BL
Produktionsnummer	4674 89 01.....	4674 98 01.....	000001-999999.....
Bor-ø i stål	13 mm.....	13 mm.....	40 mm.....
Bor-ø i træ	13 mm.....	13 mm.....	40 mm.....
Bor-ø i tegl og kalksandsten	6 mm.....	6 mm.....	13 mm.....
Træskruer (uden forboring)	0-500 min ⁻¹	0-500 min ⁻¹	0-1950 min ⁻¹
Omdrejningstal, ubelastet i 1. gear	0-1950 min ⁻¹	0-1950 min ⁻¹	0-1950 min ⁻¹
Omdrejningstal, ubelastet i 2. gear	- min ⁻¹	0-6500 min ⁻¹	- min ⁻¹
Slagantal i 1. gear	- min ⁻¹	0-25350 min ⁻¹	- min ⁻¹
Slagantal i 2. gear	60 Nm.....	60 Nm.....	65 Nm.....
Drejningsmoment *1 (1,5 Ah / 2,0 Ah)	65 Nm.....	65 Nm.....	18 V.....
Drejningsmoment *1 (3,0 Ah / 4,0 Ah)	1,5-13 mm.....	1,5-13 mm.....	1,5-13 mm.....
Udskiftningsbatteriets spænding	1,7 kg.....	1,8 kg.....	1,9 kg.....
Borepatronsspændevide	1,9 kg.....	2,0 kg.....	-18...+50 °C.....
Vægt svarer til EPTA-procedure 01/2003 (1,5 Ah / 2,0 Ah)	L1840R, L1830R, L1820R, L1815R		
Vægt svarer til EPTA-procedure 01/2003 (3,0 Ah / 4,0 Ah)	BL1218		
Anbefalet temperatur under arbejdet.....			
Anbefalede batterityper			
Anbefalede opladere			

Støj/Vibrationsinformation

Måleværdier beregnes iht. EN 60745.	
Værktøjets A-vægtede lydtrykiveau er typisk	
Lydtrykiveau (Usikkerhed K=3dB(A))	87,5 dB (A).....
Lydeffekt niveau (Usikkerhed K=3dB(A))	98,5 dB (A).....

Brug høreværn!

Samlede vibrationsværdier (værdisum for tre retninger) beregnet iht. EN 60745.

Vibrationseksponering a _h			
Slagboring i beton a _{h,D}		9 m/s ²	
Usikkerhed K=.....		1,5 m/s ²	
Boring i metal I a _{h,D}	< 2,5 m/s ²	< 2,5 m/s ²	
Usikkerhed K=.....	1,5 m/s ²	1,5 m/s ²	
Skruning a _h	< 2,5 m/s ²	< 2,5 m/s ²	
Usikkerhed K=.....	1,5 m/s ²	1,5 m/s ²	

*1 Målt i.h.t. AEG Standard N 877318

ADVARSEL

Svingningsniveauet, som er angivet i disse anvisninger, er målt i henhold til standardiseret måleprocedure ifølge EN 60745 og kan anvendes til indbyrdes sammenligning mellem el-værktøjer. Svingningsniveauet er ligeledes egnet som foreløbigt skøn over svingningsbelastningen. Det angivne svingningsniveau er baseret på el-værktøjets primære anvendelsesformål. Hvis el-værktøjet benyttes til andre formål, med andet indsatsværktøj eller ikke vedligeholdes tilstrækkeligt, kan svingningsniveauet afvige. Dette kan øge svingningsbelastningen over den samlede arbejdsperiode betydeligt. For en nøjagtig vurdering af svingningsbelastningen skal der også tages højde for de tidsperioder, hvor apparatet er slukket, eller hvor apparatet kører, men uden at være i anvendelse. Dette kan reducere svingningsbelastningen over den samlede arbejdsperiode betydeligt. Supplerende sikkerhedsforanstaltninger til beskyttelse af brugeren mod påvirkninger fra svingninger skal iværksættes, f.eks.: Vedligeholdelse af el-værktøj og indsatsværktøj, varmholdelse af hænder, organisering af arbejdsprocesser.

⚠ ADVARSEL Læs alle advarselsinformationer, anvisninger, figurer og specifikationer, som følger med dette el-værktøj. En manglende overholdelse af alle nedenstående anvisninger kan medføre elektrisk stød, brand og/eller alvorlige kvæstelser.

⚠ SIKKERHEDSANVISNINGER FOR ARBEJDE MED BOREMASKINER

Brug høreværn under slagboring. Støjen kan føre til nedsat hørelse.
Brug de ekstra håndtag, som følger med apparatet. Hvis kontrollen mistes, kan det medføre personskade.
Hold godt fast i det direkte indrettede greb, inden du påbegynder arbejdet. Dette værktøj producerer et stort drejningsmoment, og hvis du ikke holder godt fast i værktøjet under arbejdet, er der risiko for at miste kontrollen over værktøjet og komme til skade.
Hold maskinen fast i de isolerede gribeblade, når du udfører arbejde, hvor der er risiko for, at skæreværktøjet kan ramme skjulte strømledninger eller værktøjets egen ledning. Kommer skæreværktøjet i kontakt med en strømførende ledning, kan maskinens metaldele komme under spænding og give elektrisk stød.
Brug aldrig en højere omdrejningshastighed end den omdrejningshastighed, som er angivet som den maksimale for borepatronen. Ved højere hastigheder er der risiko for, at borepatronen bøjer, hvis den får lov til at dreje uden at have kontakt til arbejdsmønt, hvilket kan forårsage personskade.
Start altid med en lav omdrejningshastighed, mens borepatronen får kontakt med arbejdsmønt. Ved højere hastigheder er der risiko for, at borepatronen bøjer, hvis den får lov til at dreje uden at have kontakt til arbejdsmønt, hvilket kan forårsage personskade.
Læg altid kun pres på i lige linje til borepatronen og pres ikke for hårdt. Borepatroner kan bøje og brække af eller medføre tab af kontrol over værktøjet, hvilket kan forårsage personskade.

⚠ VEILIGHEIDSIJNSTRUCTIES VOOR SCHROEVENDRAAIERS

Houd het apparaat alleen vast aan de geïsoleerde grijpvlakken als u werkzaamheden uitvoert waarbij de schroef verborgen stroomleidingen zou kunnen raken. Het contact van de schroef met een spanningvoerende leiding kan de metalen apparaatdelen onder spanning zetten en zo tot een elektrische shock leiden.

YDERLIGERE SIKKERHEDS- OG ARBEJDSINFORMATIONER

Brug beskyttelsesudstyr. Bær altid sikkerhedsbriller, når du arbejder med maskinen. Vi anbefaler desuden brug af personlig beskyttelsesudrustning, såsom støvmaske, sikkerhedshandsker, fast og skridsikket skotøj, hjelm og høreværn.
 Støv, som opstår under arbejdet, er ofte sundhedsfarligt og bør ikke trænge ind i kroppen. Benyt egnet åndedrætsværn.
 Der må ikke bearbejdes nogen materialer, der kan udgøre en sundhedsrisiko (f.eks. asbest).
 Sluk straks for maskinen, hvis indsatsværktøjet er blokeret! Tænd ikke for maskinen igen, så længe indsatsværktøjet er blokeret; dette kan føre til et tilbageslag med højt reaktionsmoment. Find frem til og afhjælp årsagen til indsatsværktøjets blokering under hensyntagen til sikkerhedsinstruktionerne.
 Mulige årsager hertil kan være:
 • at det sidder i klemme i emnet der bearbejdes
 • at det har brækket materialet der bearbejdes
 • at el-værktøjet er overbelastet
 Grib ikke ind i maskinen, når den kører.
 Indsatsværktøjet kan blive varmt under brugen.
ADVARSEL! Fare for forbrændinger
 • ved værktøjsskift
 • når man lægger maskinen fra sig
 Spåner eller splinter må ikke fjernes, medens maskinen kører.

Ved arbejdsboring i væg, loft eller gulv skal man passe på elektriske kabler, gas- og vandledninger.

Sørg for at sikre dit emne med en spændeandring. Ikke sikre emner kan forårsage alvorlige kvæstelser og beskadigelser.
 Ved arbejde inden i maskinen, bør batteriet tages ud.
 Opbrugte udkiftningsbatterier må ikke brændes eller kasseres sammen med alm. husholdningsaffald. AEG har en miljørigtig bortskaffelse af gamle udkiftningsbatterier, henvend Dem til Deres forhandler.
 Opbevar ikke udkiftningsbatterier sammen med metalgenstande af fare for kortslutning.
 Brug kun GBS ladeapparater for opladning af System GBS batterier.
 Udkiftningsbatterier og opladere må ikke åbnes og skal opbevares i tørre rum. Beskyt dem mod fugtighed.
 I tilfælde af en ekstrem belastning eller ekstrem temperatur kan der flyde batterivæske ud af et beskadiget batteri. Hvis De kommer i berøring med batterivæsken, skal den vaskes godt og grundigt af med vand og sæbe. I tilfælde af øjenkontakt, skal man mindst skylle øjnene godt og grundigt igennem i 10 minutter og omgående opsøge en læge.

BRUG ALTID ET EKSTRAHÅNDTAG, når der bruges et batteri med en kapacitet på 9,0 Ah eller større; nogle el-værktøjers drejningsmoment kan tillige. Hvis din borekruemaskine eller slagboremaskine blev leveret uden ekstrahåndtag, bedes du bruge ekstrahåndtagets reservedel (se el-værktøjets eksplosionstegning). Sæt ikke bits i, mens maskinen kører og aftrykkerknappen ikke er låst. Brugeren kan komme til skade pga. den roterende bit.
Advarsel! For at undgå risiko for brand, kvæstelser eller beskadigelse af produktet forårsaget af kortslutning må værktøjet, batteripakken eller opladeren ikke nedsænkes i vand. Sørg ligeledes for, at der ikke trænger væske ind i enhederne og batterierne. Korroderende eller ledende væsker, f.eks. saltvand, bestemte kemikalier, blegestoffer eller produkter, som indeholder blegestoffer, kan forårsage kortslutning.

TILTÆNKT FORMÅL

Akku slagboremaskinen kan anvendes til alm. boreopgaver, slagboring og som skruemaskine uden tilslutning til stikkontakt. Produktet må ikke anvendes på anden måde og til andre formål end foreskrevet.

CE-KONFORMITETSERKLÆRING

Vi erklærer som eneansvarlig, at det under "Tekniske data" beskrevne produkt stemmer overens med alle relevante forskrifter, der følger af direktiv 2011/65/EU (RoHS), 2014/30/EU, 2006/42/EF samt af følgende harmoniserede normative dokumenter:
 EN 60745-1:2009 + A11:2010
 EN 60745-2-1:2010
 EN 55014-1:2017
 EN 55014-2:2015
 EN 50581:2012

Winnenden, 2018-02-08


 Alexander Krug
 Managing Director
 Autoriseret til at udarbejde de tekniske dokumenter.
 Technonic Industries GmbH
 Max-Eyth-Straße 10
 71364 Winnenden
 Germany



BATTERI

Udkiftningsbat terier, der ikke har været brugt i længere tid, efterlades inden brug. Ved temperaturer over 50°C formindskes batteriets effekt. Undgå direkte sollys og stærk varme.
 Tilslutningskontakterne på oplader og udkiftningsbatterier skal holdes rene.
 For at opnå en optimal levetid skal de genopladelige batterier oplades fuldt efter brug. For at sikre en så lang levetid som muligt skal batterierne tages ud af ladeaggregatet efter opladning.
 Skal batterierne opbevares længere end 30 dage:
 Temperatur ca. 27°C i tørre omgivelser.
 Opbevares ved ca. 30%-50% af ladetilstanden.
 Batteri skal genoplades hver 6. måned.

OVERBELASTNINGSSIKRING FOR BATTERI

Overbelastes batteriet på grund af meget højt strømforbrug, f.eks. som følge af ekstremt høje drejningsmomenter, fastklemning af bor, pludseligt stop eller kortslutning, brummer el-værktøjet i 2 sekunder og slukker så af sig selv. For at tænde igen slipper du trykknappen og tænder el-værktøjet på ny. Under ekstreme belastninger kan batteriet blive meget varmt. I så fald kobler batteriet fra. Sæt batteriet i ladeadapteren for at genoplade det og aktivere det.

TRANSPORT AF LITHIUM-BATTERIER

Lithium-batterier er omfattet af lovgivningen om transport af farligt gods. Transporten af disse batterier skal ske under overholdelse af lokale, nationale og internationale regler og bestemmelser.
 • Forbrugere må transportere disse batterier på veje uden yderligere krav.
 • Den kommercielle transport af lithium-batterier ved speditjonsfirmaer er omfattet af reglerne for transport af farligt gods. Forberedelsen af forsendelse og transport må kun udføres af tilsvarende trænedte personer. Den samlede proces skal følges af afgift.









Følgende punkter skal overholdes ved transport af batterier:
 • Sørg for at kontakterne er beskyttet og isoleret for at forhindre kortslutninger.
 • Sørg for at batteripakken ikke kan bevæge sig inden for emballagen.
 • Beskadigede eller lækende batterier må ikke transporteres.

Kontakt dit speditjonsfirma for at få yderligere oplysninger.

VEDLIGEHOLDELSE

Brug kun AEG-tilbehør og AEG-reservedele. Komponenter, hvor udkiftningsproceduren ikke er beskrevet, skal skiftes ud hos et AEG-servicested (se brochure garanti/kundeserviceadresser). Hvis det er nødvendigt, kan der bestilles en sprængkitse af værktøjet. Angiv herved venligst maskintypen samt det sekscifrede nummer på mærkepladen og bestil tegningen hos din lokale kundeserviceafdeling eller direkte hos Technonic Industries GmbH, Max-Eyth-Straße 10, 71364 Winnenden, Tyskland.

SYMBOLER

	VIGTIGT! ADVARSEL! FARE!
	Ved arbejde inden i maskinen, bør batteriet tages ud.
	Læs brugsanvisningen nøje før ibrugtagning.
	Elektrisk udstyr eller (genopladelige) batterier må ikke bortskaffes sammen med det almindelige husholdningsaffald. Elektrisk udstyr og genopladelige batterier skal indsamles særskilt og afleveres hos en genbrugsvirksomhed til en miljømæssig forsvarlig bortskaffelse. Spørg de lokale myndigheder eller din forhandler om genbrugsstationer og indsamlingssteder til sådant affald.
n	Omdrejningstal, ubelastet
v	Veksel-spænding
	Jævnstrøm
	CE-mærke
	Nationalt overensstemmelsesmærke Ukraine
	EurAsian overensstemmelsesmærke.

TEKNISKE DATA	BATTERIDREVEVET	SLAGBORMASKIN/SKRUTREKKE	BS18C2BL	BSB18C2BL
Produksjonsnummer.....	4674 89 01.....	000001-999999	4674 98 01.....	000001-999999
Bor-ø i stål.....	13 mm.....	40 mm.....	13 mm.....	40 mm.....
Bor-ø i treverk=.....	6 mm.....	13 mm.....	6 mm.....	13 mm.....
Bor-ø i tegl og kalksandstein.....	0-500 min ⁻¹	0-1950 min ⁻¹	0-500 min ⁻¹	0-1950 min ⁻¹
Treskruer (uten forboring).....	- min ⁻¹	- min ⁻¹	- min ⁻¹	- min ⁻¹
Tomgangsturtall i 1. gir.....	60 Nm.....	65 Nm.....	60 Nm.....	65 Nm.....
Tomgangsturtall i 2. gir.....	18 V.....	18 V.....	18 V.....	18 V.....
Slagfall i 1. gir.....	1,5-13 mm.....	1,5-13 mm.....	1,5-13 mm.....	1,5-13 mm.....
Slagfall i 2. gir.....	1,7 kg.....	1,9 kg.....	1,7 kg.....	1,9 kg.....
Dreiemoment *1 (1,5 Ah / 2,0 Ah).....	-18...+50 °C.....	L1840R, L1830R, L1820R, L1815R.....	-18...+50 °C.....	L1840R, L1830R, L1820R, L1815R.....
Dreiemoment *1 (3,0 Ah / 4,0 Ah).....				
Spenning vekselbatteri.....				
Chucksponsområde.....				
Vekt i henhold til EPTA-Proseduren 01/2003 (1,5 Ah / 2,0 Ah).....				
Vekt i henhold til EPTA-Proseduren 01/2003 (3,0 Ah / 4,0 Ah).....				
Anbefalt omgivelsestemperatur under arbeid.....				
Anbefalte batterityper.....				
Anbefalte ladere.....				

Støy-/vibrasjonsinformasjon

Måleverdier fastslått i samsvar med EN 60745.

Det A-bedømte lydnivået til maskinen er:

Lydtrykknivå (Usikkerhet K=3dB(A)).....	87,5 dB (A).....	87,5 dB (A).....
Lydeffektnivå (Usikkerhet K=3dB(A)).....	98,5 dB (A).....	98,5 dB (A).....

Bruk hørselsvern!

Totale svingningsverdier (vektorsum fra tre retninger) beregnet jf. EN 60745.

Svingningsemisjonsverdi a _h	9 m/s ²	9 m/s ²
Slagboring i betong a _{h,0}	1,5 m/s ²	1,5 m/s ²
Usikkerhet K=.....	< 2,5 m/s ²	< 2,5 m/s ²
Boring i metall I a _{h,0}	1,5 m/s ²	1,5 m/s ²
Usikkerhet K=.....	< 2,5 m/s ²	< 2,5 m/s ²
Skruing a _h	1,5 m/s ²	1,5 m/s ²
Usikkerhet K=.....	1,5 m/s ²	1,5 m/s ²

*1 Målt etter AEG standard N 877318

ADVARSEL

Svingningsnivået som er angitt i denne instruksjonen er målt i overensstemmelse med målemetoden normert i direktiv EN 60745 og kan brukes til å sammenligne elektriske maskiner med hverandre. Den egner seg også for en foreløpig vurdering av svingningsbelastningen.

Det angitte svingningsnivået representerer de hovedsaklige bruk av elektroverktøyet. Men anvendes elektroverktøyet for andre bruk med avvikende utskiftbare verktøy eller vedlikeholdet er utilstrekkelig, kan svingningsnivået være avvikende.

Dette kan forhøye svingningsbelastningen betydelig over hele arbeidsperioden. For en nøyaktig vurdering av svingningsbelastningen må også det tas hensyn til tiden apparatet er avslått eller står på, men ikke er i bruk. Dette kan redusere svingningsbelastningen betydelig over hele arbeidsperioden.

Infør også ekstra sikkerhetstiltak for å beskytte bruker mot utvirkningen av svingningene. Disse kan f.eks. være: vedlikehold av elektroverktøyet og det utskiftbare verktøyet, holde hendene varme, organisasjon av arbeidsforløpet.

ADVARSEL! Les gjennom alle sikkerhets advarsler, anvisninger, illustrasjoner og spesifikasjoner for dette elektroverktøyet. Feil ved overholdelse av advarselene og nedenstående anvisninger kan medføre elektriske støt, brann og/eller alvorlige skader.

ADVARSEL

Sikkerhetsinstruksjoner for boremaskiner

Bruk hørselsvern ved bruk av slagboret. Støy kan føre til tap av hørselen.

Bruk de med apparatet medleverte tileggshåndtak. Tap av kontrollen kan føre til skader.

Hold apparatet godt fast i det tilhørende håndtaket før arbeidet begynner. Dette apparatet genererer et høyt utgangs-dreiemoment, og dersom du ikke holder det godt fast under arbeidet, kan du miste kontrollen over det og skade deg.

Hold apparatet i de isolerte holdeflatene, når det arbeides på steder hvor elektroverktøyet kan treffe skjulte strømledninger eller verktøyets egen kabel. Kontakt med en ledning som er under spenning, kan også sette metalldele til apparatet under spenning og føre til et elektrisk slag.

Bruk aldri et høyere turtall enn maksimalt turtall som er angitt for borekronen. Ved høyere turtall kan borekronen bli bøyd når den roterer uten kontakt med arbeidsstykket, noe som igjen kan føre til personskaade.

Start alltid med et lavt turtall og mens borekronen er i kontakt med arbeidsstykket. Ved høyere turtall kan borekronen bli bøyd når den roterer uten kontakt med arbeidsstykket, noe som igjen kan føre til personskaade.

Utøv trykk bare i direkte posisjon mot borekronen, og ikke trykk for hardt. Borekroner kan bøye seg og brenke, og dette kan igjen føre til at du mister kontrollen over apparatet, slik at det kan oppstå personskaade.

ADVARSEL

Sikkerhetsinstruksjoner for skrutrekere

Hold apparatet i de isolerte holdeflatene, når arbeid utføres hvor skruen kan treffe skjulte strømledninger. Kontakt av skruen med en strømførende ledning kan sette apparatets metalldele under spenning og føre til elektrisk slag.

Ikke åpne vekselbatterier og ladere, de skal oppbevares i tørre rom. Beskyttes mot fuktighet.

Under ekstreme belastninger og ekstreme temperaturer kan det lekke ut batterivæske fra utskiftbare batterier. Ved berøring med batterivæske, vask umiddelbart med såpe og vann. Ved kontakt med øynene må øynene skylles grundig i rennende vann i minst 10 minutter. Oppsøk lege umiddelbart.

BRUK ALLTID ET TILLEGGSHÅNDTAK, når det brukes et batteri med en kapasitet på 9,0 Ah eller høyere; dreiemomentet til noen elektroverktøy kan forhøye seg. Bie din drill eller slagborskrutrekker levert uten tilleggshåndtak, så bruk tilleggshåndtakets reservedel (se eksplosjonstegningen til elektroverktøyet).

Ikke sett inn et bor mens maskinen er i gang og bryteren ikke er låst fast. Dersom boret dreier seg, kan brukeren bli skadet.

Advarsel! For å unngå fare for en brann forårsaket av en kortslutning, av personskaader eller skader av produktet, må det forhindres at batteripakken eller laderen dypes i væsker og også sørges for at ingen væsker kan komme inn i apparatene eller batteriene. Korroderende og ledende væsker som saltvann, visse kjemikalier og blekemidler eller produkt som inneholder blekemidler kan forårsake en kortslutning.

FORMÅLSMESSIG BRUK

Batteri-elektronikk-slagborekskretrekkeren kan brukes universelt til boring, slagboring og skruing uavhengig av netttilkopling.

Dette apparatet må kun brukes til de oppgitte formål.

CE-SAMSVARSEKRLÆRING

Vi erklærer i alene ansvar at produktet beskrevet i "Teknisk data" overensstemmer med alle relevante forskrifter til Eu direktiv 2011/65/EU (RoHS), 2014/30/EU, 2006/42/EF og de følgende harmoniserte normative dokumentene.

EN 60745-1:2009 + A11:2010

EN 60745-2-1:2010

EN 55014-1:2017

EN 55014-2:2015

EN 50581:2012

Winnenden, 2018-02-08

Alexander Krug



Alexander Krug

Managing Director

Autorisert til å utarbeide den tekniske dokumentasjonen

Technic Industries GmbH

Max-Eyth-Straße 10

71364 Winnenden

Germany

BATTERIER

Vekselbatterier som ikke er brukt over lengre tid skal etterlades for bruk.

En temperatur over 50°C reduserer vekselbatteriets kapasitet. Unngå oppvarming i sol eller ved varmeovner (fyring) i lengre tid.

Hold tilkoplingskontaktene på lader og vekselbatteri rene.

For en optimal levetid må batteriene etter bruk ladet helt opp.

For å sikre en lengst mulig brukstid av batteriene skal disse etter oppladning taes ut av laderen.

Ved lagring av batteriene lengre enn 30 dager:

Lagre batteriet tørt ved ca. 27°C.

Lagre batteriet ved en oppladningstilstand på ca. 30%-50%.

Lade opp batteriet igjen etter 6 måneder.

OVERBELASTNINGSVERN FOR OPPLADBARE BATTERIER

Ved overbelastning av det oppladbare batteriet p.g.a. svært høy strømforbruk, for eksempel ved ekstrem høye dreiemoment, fastklemming av boret, pusselig stopp eller kortslutning, brummer elektroverktøyet 2 sekunder og slår seg så automatisk av. For å slå det på igjen, må man slippe trykkytteren og så slå på igjen.

Ved ekstreme belastninger kan det oppladbare batteriet bli sterkt opphett. I slike tilfeller kobler batteriet seg ut.

Sett batteriet da i laderen for å få det oppladet og aktivert igjen.

TRANSPORT AV LITIUUM-ION-BATTERI

Litium-ion-batterier faller under de lovfestede forskriftene om transport av farlig gods. Transporten av disse batteriene må rette seg etter lokale, nasjonale og internasjonale forskrifter og bestemmelser.

• Forbruker har lov å transportere disse batteriene på gaten uten reglementering.

• Den kommersielle transport av Litium-ion-batterier av spedisjonsfirma faller under bestemmelsene om transport av farlig gods. Forberedningene av forsendelsen og transport skal utelukkende gjennomføres av personer som har blitt skolert til dette. Hele prosessen skal følges opp av fagfolk.

Følgende punkter skal tas hensyn til ved transport:

- Kontroller at kontaktene er beskyttet og isolert for å unngå kortslutninger.
- Pass på at batteripakken i forpakningen ikke kan skil fram og tilbake.

• Skadete eller batterier som lekker er det ikke lov å transportere.

Ta kontakt med spedisjonsfirma for ytterlige henvisninger.

VEDLIKEHOLD

Bruk kun AEG tilbehør og AEG reservedeler. Komponenter der utskiftning ikke er beskrevet skal skiftes ut hos AEG kundeservice (se brosjyre garanti/kundeserviceadresser).

Ved behov kan det fås en eksplosjonstegning av apparatet hos kundeservice eller direkte hos Techntron Industries GmbH, Max-Eyth-Straße 10, 71364 Winnenden, Germany ved angivelse av maskinens type og det sekstallige nummeret på maskinens skilt.

SYMBOLER



OBS! ADVARSEL! FARE!



Ta ut vekselbatteriet før du arbeider på maskinen



Les nøye gjennom bruksanvisningen før maskinen tas i bruk.



Elektriske apparater, batterier/oppladbare batterier skal ikke kastes sammen med vanlig husholdningsavfall. Elektriske og elektroniske apparater og oppladbare batterier skal samles separat og leveres til miljøvennlig deponering hos en avfallsbedrift. Informer deg hos myndighetene på stedet eller hos din fagforhandler hvor det finnes recycling bedrifter og oppsamlingssteder.



n_r Tomgangsturtall



V Volt



Likestrom



CE-tegn



Nasjonalt Konformitetstegn Ukraina



EurAsian Konformitetstegn.

TEKNISKA DATA	BATTERIDRIVEN SLAGBORRMASKIN/SKRUVDRAGARE	BS18C2BL	BSB18C2BL
Produktionsnummer	4674 89 01..... ...000001-999999	4674 98 01..... ...000001-999999
Borrdiam. in stål	13 mm	13 mm
Borrdiam. in trä	40 mm	40 mm
Borrdiam. tegel, kalksten	6 mm	13 mm
Tråskruvning (utan förborring)	6 mm	6 mm
Obelastat varvtal 1:a växel	0-500 min ⁻¹	0-500 min ⁻¹
Obelastat varvtal 2:a växel	0-1950 min ⁻¹	0-1950 min ⁻¹
Stagtal 1:a växel	- min ⁻¹	0-6500 min ⁻¹
Stagtal 2:a växel	- min ⁻¹	0-25350 min ⁻¹
Vridmoment *1 (1,5 Ah / 2,0 Ah)	60 Nm	60 Nm
Vridmoment *1 (3,0 Ah / 4,0 Ah)	65 Nm	65 Nm
Batterispänning	18 V	18 V
Chuckens spännområde	1,5-13 mm	1,5-13 mm
Vikt enligt EPTA 01/2003 (1,5 Ah / 2,0 Ah)	1,7 kg	1,8 kg
Vikt enligt EPTA 01/2003 (3,0 Ah / 4,0 Ah)	1,9 kg	2,0 kg
Rekommenderad omgivningstemperatur vid arbete	-18...+50 °C	
Rekommenderade batterityper	L1840R, L1830R, L1820R, L1815R	
Rekommenderade laddare	BL1218	

Buller-/vibrationsinformation

Mätvärdena har tagits fram baserade på EN 60745.

A-värdet av maskinens ljudtrycksnivå är

Ljudtrycksnivå (Onoggrannhet K=3dB(A))..... 87,5 dB (A)

Ljudeffektsnivå (Onoggrannhet K=3dB(A))..... 98,5 dB (A)

Använd hörselskydd!

Totala vibrationsvärden (vektorsumma ur tre riktningar) framtaget enligt EN 60745.

Vibrationsemissionsvärde a _w	Slagborrning i betong a _{h,D}	9 m/s ²
	Onoggrannhet K=	1,5 m/s ²
	Borring i metall I a _{h,D}	< 2,5 m/s ²
	Onoggrannhet K=	1,5 m/s ²
	Skruvning a _w	< 2,5 m/s ²
	Onoggrannhet K=	1,5 m/s ²

*1 Uppmätt enligt AEG Standard N 877318

WARNING

Den i de här anvisningarna angivna vibrationsnivån har uppmätts enligt ett i EN 60745 normerat mätförfarande och kan användas vid jämförelse mellan olika elverktyg. Nivån är även lämplig att använda vid en preliminär bedömning av vibrationsbelastningen.

Den angivna vibrationsnivån representerar den huvudsakliga användningen av det aktuella elverktyget. Men om elverktyget ska användas i andra användningsområden, tillsammans med avvikande insatsverktyg eller efter otillräckligt underhåll, kan vibrationsnivån skilja sig. Det kan öka vibrationsbelastningen betydligt under hela arbetstiden.

För att få en exaktare bedömning av vibrationsbelastningen ska även den tid beaktas, under vilken elverktyget är avstängt eller är påslaget, utan att det verkligen används. Det kan reducera vibrationsbelastningen betydligt under hela arbetstiden.

Lägg som skydd för användaren fast extra säkerhetsåtgärder mot vibrationernas verkan, som till exempel: underhåll av elverktyg och insatsverktyg, varmhållning av händer och organiserande av arbetsförlöpp.

! WARNING! Läs noga igenom alla säkerhetsanvisningar, illustrationer och specifikationer som medföljer detta elverktyg. Fel som uppstår till följd av att anvisningarna nedan inte följts kan orsaka elstöt, brand och/eller allvariga kroppsskador.

! SÄKERHETSINSTRUKTIONER FÖR BORRMASKINER

Använd alltid hörselskydd när du använder en slagborrmaskin. Buller kan leda till att du förlorar hörseln.

Använd de extrahandtag som levereras tillsammans med maskinen. Förlust av kontrollen kan leda till personskador.

Håll innan arbetet påbörjas fast apparaten ordentligt i det därför avsedda handtaget. Den här apparaten genererar ett högt vridmoment och om du inte håller fast den ordentligt under användningen kan du förlora kontrollen över den och skada dig.

Håll fast apparaten med hjälp av de isolerade greppytorna när du utför arbeten där arbetsverktyget skulle kunna träffa på dolda elledningar eller kablar.

Om man kommer i kontakt med en spänningsförande ledning, så kan även de delar på verktyget som är av metall bli spänningsförande och leda till att man får en elektrisk stöt.

Använd aldrig ett högre varvtal än det maximala varvtalet som är angivet för borrsatsen. Vid högre varvtal kan borrsatsen krökas om den roterar utan kontakt mot arbetsstycket, vilket kan leda till personskador.

Starta alltid med ett lågt varvtal och medan borrsatsen har kontakt med arbetsstycket. Vid högre varvtal kan borrsatsen krökas om den roterar utan kontakt mot arbetsstycket, vilket kan leda till personskador.

Utöva alltid tryck bara i direkt inriktning mot borrsatsen och tryck inte alltför hårt. Borrsatser kan krökas och brytas av eller leda till att användare förlorar kontrollen över apparaten, vilket kan leda till personskador.

! SÄKERHETSINSTRUKTIONER FÖR SKRUVARE

Håll apparaten i de isolerade greppytorna när ni utför arbeten där skruven kan träffa dolda elkablar. Skruvens kontakt med en strömförande ledning kan sätta apparatdelar av metall under spänning och leda till elektrisk stöt.

Under extrem belastning eller extrem temperatur kan batterivätska tränga ut ur skadade utbytesbatterier. Vid beröring med batterivätska tvätta genast av med vatten och tvål. Vid ögonkontakt spola genast i minst 10 minuter och kontakta genast läkare.

ANVÄND ALLTID ETT EXTRA HANDTAG när ett batteri med en kapacitet på 9,0 Ah eller mer används, vridmomentet hos vissa elverktyg kan ökas. Om din skruvdragare eller slagskruvdragare levererades utan extra handtag, använd extrahandtagets reservdel (se elverktygets explosionsritning).

Bits får inte sättas i när maskinen är igång och strömbrytaren inte är låst. Roterande bits kan skada användaren.

Varning! För att undvika den fara för brand, personskador eller produktskador som orsakas av en kortslutning, doppa inte ner verktyget, utbytesbatteriet eller laddaren i vätskor och se till att ingen vätska kan tränga in i apparaterna eller batterierna. Korroderande eller ledande vätskor, som saltvatten, vissa kemikalier, blekningsmedel eller produkter som innehåller blekmedel, kan orsaka en kortslutning.

ANVÄND MASKINEN ENLIGT ANVISNINGARNA

Denna Akku-elektronikmaskin är användbar för både borring, slagborring och skruvning.

Maskinen får endast användas för angiven tillämpning.

CE-FÖRSÄKRAN

Vi intygar och ansvarar för att den produkt som beskrivs under "Tekniska data" överensstämmer med alla relevanta bestämmelser i direktiv 2011/65/EU (RoHS), 2014/30/EU, 2006/42/EG och följande harmoniserade normerande dokument:

EN 60745-1:2009 + A11:2010

EN 60745-2-1:2010

EN 55014-1:2017

EN 55014-2:2015

EN 50581:2012

Winnenden, 2018-02-08


Alexander Krug
Managing Director
Befullmäktigad att sammanställa teknisk dokumentation.



Techtronic Industries GmbH
Max-Eyth-Straße 10
71364 Winnenden
Germany

BATTERIER

Batteri som ej använts på länge måste laddas före nytt bruk.

En temperatur över 50°C reducerar batteriets effekt. Undvik längre uppvärmning tex i solen eller nära ett element.

Se till att anslutningskontaktarna i laddaren och på batteriet är rena.

För en optimal livslängd ska batterierna laddas helt igen efter användningen.

För att få en så lång livslängds som möjligt bör laddningsbara batterier avlägsnas från laddaren när de är laddade.

Om laddningsbara batterier lagras längre än 30 dagar:

Lagra batteriet torrt och vid ca 27°C.

Lagra batteriet vid ca 30%-50% av laddningskapaciteten.

Ladda batterierna på nytt var 6:e månad.

BATTERI-ÖVERBELASTNINGSSKYDD

Om det uppladdningsbara batteriet överbelastas på grund av mycket hög strömförbrukning, till exempel vid extremt höga vridmoment, fastklämning av borret, plötsligt stopp eller kortslutning, brummar elverktyget i 2 sekunder och slängs sedan av automatiskt.

Släpp därefter först upp tryckknappen och slä sedan på elverktyget igen, om du vill fortsätta bearbetningen.

Vid extrem belastning kan batteriet bli väldigt varmt. I ett sådant fall stängs batteriet av automatiskt.

Sätt då batteriet i laddaren för att ladda upp och aktivera det igen.

TRANSPORTERA LITUMJON-BATTERIER

För litiumjon-batterier gäller de lagliga föreskrifterna för transport av farligt gods på väg.

Därför får dessa batterier endast transporteras enligt gällande lokala, nationella och internationella föreskrifter och bestämmelser.

• Konsumenter får transportera dessa batterier på allmän väg utan att behöva beakta särskilda föreskrifter.

• För kommersiell transport av litiumjon-batterier genom en speditionsfirma gäller emellertid bestämmelserna för transport av farligt gods på väg. Endast personal som känner till alla tillämpliga föreskrifter och bestämmelser får förbereda och genomföra transporten. Hela processen ska följas upp på fackmässigt sätt.

Följande ska beaktas i samband med transporten av batterier:

- Sakerställ att alla kontakter är skyddade och isolerade för att undvika kortslutning.
- Se till att batteripacken inte kan glida fram och tillbaka i förpackningen.

- Transportera aldrig batterier som läcker, har runnit ut eller är skadade.









För mer information vänligen kontakta din speditionsfirma.

SKÖTSEL

Använd endast AEG-tillbehör och AEG-reservdelar. Komponenter, för vilka inget byte beskrivs, skall bytas ut hos AEG-kundtjänst (se broschyren garanti-/kundtjänstadresser).

Vid behov kan du rekvidrera apparatens språngskiss antingen hos kundservicen eller direkt hos Techtronic Industries GmbH, Max-Eyth-Straße 10, 71364 Winnenden, Germany. Du ska då ange maskintypen och numret på sex siffror som står på effektskytlen.

SYMBOLER

	OBSERVERA! VARNING! FARA!
	Drag ur batteripaket innan arbete utföres på maskinen.
	Läs instruktionen noga innan du startar maskinen.
	Elektriska maskiner, batterier/uppladdningsbara batterier och får inte slängas tillsammans med de vanliga hushållssoporna. Elektriska maskiner och uppladdningsbara batterier ka samlas separat och lämnas till en avfallsstation för miljövänlig avfallshantering. Kontakta den lokala myndigheten respektive kommunen eller fråga återförsäljare var det finns speciella avfallsstationer för elkrot.
n	Tomgångsvarvtal, obelastad
V	Volts Växelström
	Likström
	CE-symbol
	Nationell symbol för överensstämmelse Ukraina
TR 066	
	EurAsian överensstämmelsesymbol.

TEKNISET ARVOT	AKKU-ISKUPORAKONE/RUUVINKIERRIN	BS18C2BL	BSB18C2BL
Tuotantonumero	4674 89 01	4674 98 01	000001-999999
Poran ø teräkseen	13 mm	13 mm	
Poran ø puuhun	40 mm	40 mm	
Poran ø tiiliin ja kalkkikiekkakiviin	6 mm	13 mm	
Puuruuvi (ilman esiporausta)	0-500 min ⁻¹	0-500 min ⁻¹	
Kuormittamaton kierrosluku 1. vaihteella	0-1950 min ⁻¹	0-1950 min ⁻¹	
Kuormittamaton kierrosluku 2. vaihde	- min ⁻¹	0-6500 min ⁻¹	
Iskutaajuus 1. vaihteella	- min ⁻¹	0-25350 min ⁻¹	
Iskutaajuus 2. vaihde	60 Nm	60 Nm	
Vääntömomentti *1 (1,5 Ah / 2,0 Ah)	65 Nm	65 Nm	
Vääntömomentti *1 (3,0 Ah / 4,0 Ah)	18 V	18 V	
Jännite vaihtoakku	1,5-13 mm	1,5-13 mm	
Istukan aukeama	1,7 kg	1,8 kg	
Paino EPTA-menettelyn 01/2003 mukaan (1,5 Ah / 2,0 Ah)	1,9 kg	2,0 kg	
Paino EPTA-menettelyn 01/2003 mukaan (3,0 Ah / 4,0 Ah)	-18...+50 °C		
Suosittelun ympäristön lämpötila työn aikana	L1840R, L1830R, L1820R, L1815R	BL1218	
Suosittelut akkutyytit			
Suosittelut latauslaitteet			

Melunpäästö-/tärinä tiedot

Mitta-arvot määritetty EN 60745 mukaan.

Yleensä työkalun A-luokan melutaso

Melutaso (Epävarmuus K=3dB(A)).....

Äänenvoimakkuus (Epävarmuus K=3dB(A)).....

Käytä kuulosuojaimia!

Värähtelyn yhteisarvot (kolmen suunnan vektorisumma) mitattuna EN 60745 mukaan.

Värähtelyemissioarvo a_v

Betonin iskuporaaminen a_{v,0}

Epävarmuus K=

Metallin poraaminen i a_{v,0}

Epävarmuus K=

Ruuvinvääntö a_v

Epävarmuus K=

*1 Mitattu AEG normin N 877318 mukaan

VAROITUS
Näissä ohjeissa mainittu värähtelytaso on mitattu EN 60745 -standardin mukaisella mittausmenetelmällä ja sitä voidaan käyttää sähkötyökalujen vertaamiseen. Sitä voidaan käyttää myös värähtelyrasituksen väliaikaiseen arviointiin.
Mainittu värähtelytaso edustaa sähkötyökalun pääasiallista käyttöä. Jos sähkötyökalua kuitenkin käytetään muihin tehtäviin, poikkeavin työkaluin tai riittämättömästi huoltoaan, värähtelytaso voi olla erilainen. Se voi korottaa värähtelyrasitusta koko työajan osalta.
Tarkan värähtelyrasituksen toteamiseen tulee ottaa huomioon aika, jona laite on kytketty pois tai on kylläkin päällä, mutta ei käytössä. Se voi pienentää värähtelyrasitusta koko työajan osalta.
Määrittele lisaturvatoimenpiteitä käyttäjän suojaamiseksi värinöiden vaikutukselta, kuten esimerkiksi: sähkötyökalujen ja käyttötyökalujen huolto, käsien lämpimän pitäminen, työväiteiden organisaatio.

VAROITUS Lue kaikki turvallisuusmääräykset, ohjeet, kuvitukset ja erittelyt, jotka toimitetaan tämän sähkötyökalun mukana. Jäljempänä annettujen ohjeiden noudattamisen laiminlyönti saattaa johtaa sähköiskun, tulipaloon ja/tai vakavaan loukkaantumiseen.

PORAKONEIDEN TURVALLISUUSOHJEET

Käytä kuulosuojaimia iskuporattaessa. Melulle altistuminen voi heikentää kuuloa
Käytä koneen mukana toimitettua apukahvaa. Koneen hallinnan menetyksistä saattaa aiheuttaa henkivahinkoja.
Pitele laitetta tukevasti tähän tarkoitettuun kahvaan ennen työn aloittamista. Tämän laitteen käytössä syntyy voimakas vääntömomentti, ja saatat menettää laitteen hallinnan ja loukkaantua, etele piteli sitä käynten aikana tukevasti.
Pitele laitetta vain eristetyistä tarttumapinnoista, kun suoritat sellaisia töitä, joissa leikkaustyökalu saattaa osua pilossa oleviin sähköjohtoihin tai omaan liittäjäjohtoon.
Leikkaustyökalun yhteys jännitteelliseen johtoon saattaa tehdä laitteen metalliset osat jännitteellisiksi ja aiheuttaa sähköiskun.
Älä koskaan käytä suurempaa kierroslukua kuin suurinta poraustyökalulle sallittua kierroslukua. Suuremmalla kierrosluvulla poraustyökalu saattaa vääntyä, jos se pyörii koskettamatta työstökappaleeseen, ja tästä voi aiheutua tapaturmia.
Aloita työskentely aina alhaisella kierrosluvulla poraustyökalun ollessa kosketuksessa työstökappaleeseen. Suuremmalla kierrosluvulla poraustyökalu saattaa vääntyä, jos se pyörii koskettamatta työstökappaleeseen, ja tästä voi aiheutua tapaturmia.
Paina poraustyökalua aina suorassa suunnassa työstökappaleeseen äläkä paina sitä liian voimakkaasti. Poraustyökalut säätävät vääntyä ja rikkoutua tai aiheuttaa laitteen hallinnan menettämisen, josta voi seurata tapaturmia.

RUUVAAJAN TURVALLISUUSOHJEET

Pitele laitteesta kiinni sen eristetyistä kahvoista suorittaessasi töitä, joiden aikana ruuvi saattaa osua pilossa oleviin sähköjohtoihin. Ruuvin kosketus jännitteelliseen johtoon saattaa tehdä laitteen metalliosat jännitteellisiksi ja aiheuttaa sähköiskun.

TÄYDENTÄVIÄ TURVALLISUUSMÄÄRÄYKSIÄ JA TYÖSKENTELYOHJEITA

Käytä suojavarusteita. Käytä aina suojalaseja käyttäessäsi konetta. Suosittelomme suojavarusteiden käyttöä, näihin kuuluvat pölysuojanaamari, työkasineet, tukevat, luistamattomat jalkeinnet, kypärä ja kuulosuojukset.
Koneen käytössä aiheutuva pöly ja jäte voi olla haitallista terveydelle eikä sen vuoksi tulisi päästä kosketukseen ihon kanssa. Koneella työskennellessä on käytettävä sopivaa suojainta.
Terveydellisiä vaaroja aiheuttavien materiaalien (esim. asbestin) työstäminen on kielletty.
Jos käytetty työkalu juuttuu kiinni, sammuta laite heti! Älä kytke laitetta uudelleen päälle työkalun ollessa vielä kiinni juuttuneena, koska tästä saattaa aiheutua voimakas takaisku. Selvitä työkalun juuttumisen syy ja poista syy turvallisuusmääräyksiä noudattaen.
Mahdollisia syitä voivat olla:
• työkalun vinooutuminen työstökappaleeseen
• työstyön materiaalin puhkaisuinen
• sähkötyökalun ylikuormitus
Älä tartu käynnissä olevan koneen työosiin.
Käytetty työkalu saattaa kuumeta käytön aikana.
VAROITUS! Palovamman vaara
• työkalua vaihdettaessa
• laitetta pois laskettaessa
Lastuja tai puruja ei saa poistaa koneen käydessä.

Varo seinään, kattoon tai lattiaan porattaessa osumasta sähköjohtoon, kaasu- ja vesijohtoihin.
Varmista työstökappaleesi kiinnitysliitteellä paikalleen. Varmistamattomat työstökappaleet saattavat aiheuttaa vakavia vammoja ja vaurioita.
Ota akku pois ennen kaikkia koneeseen tehtäviä toimenpiteitä.
Käytettyä vaihtoakkuja ei saa polttaa eikä poistaa normaalin jätehuollon kautta. AEG:llä on tarjolla vanhoja vaihtoakkuja varten ympäristöystävällinen jätehuoltopalvelu.
Vaihtoakkuja ei saa säilyttää yhdessä metalliesineiden kanssa (oikosulkuvaara). Käytä ainoastaan System GBS latauslaitetta System GBS akkujen lataukseen. Älä käytä muiden järjestelmien akkuja.
Vaihtoakkuja ja latauslaitteita ei saa avata. Säilytys vain kuivissa tiloissa. Suojattava kosteudelta.
Vaurioituneesta akusta saattaa erityisen kovassa käytössä tai poikkeavassa lämpötilassa vuotoa akkuhappoa . Ihonhohta, joka on joutunut kosketukseen akkuhapon kanssa on viipymättä pestävä vedellä ja saippualla. Siimä, johon on joutunut akkuhappoa, on huuhdeltava vedellä vähintään 10 minuutin ajan, jonka jälkeen on viipymättä hakeuduttava lääkärin apuun.

KÄYTÄ AINA TUKIKAHVAA, kun käytetään akkua, jonka teho on 9,0 Ah tai suurempi; joidenkin sähkötyökalujen vääntömomentti saattaa nousta. Jos pora-ruuvinvääntimesi tai iskupora-ruuvinvääntimesi on toimitettu ilman tukihavvaa, ole hyvä ja käytä lisäosana saatavaa tukihavvaa (katso sähkötyökalun räjähdyssiirustus).
Älä pane palaa koneeseen, jos kone käy eikä katkaisinpainiketta ole lukittu. Pyörivä pala voi satuttaa käyttäjää.
Varoitus! Jotta vältetään lyhytsulun aiheuttama tulipalon, loukkaantumisen tai tuotteen vahingoittumisen vaara, älä koskaan upota työkalua, vaihtoakkuja tai latauslaitetta nesteeseen ja huolehdi siitä, ettei mitään nesteitä pääse tunkeutumaan laitteiden tai akkujen sisään. Syövyttävät tai sähköä johtavat nesteet, kuten suolavesi, tietyt kemikaalit ja lalkaisuinneet tai valkaisuinneet sisältävät tuotteet voivat aiheuttaa lyhytsulun.

LYHTYVALON TUOTOSSA TURVALLISUUSOHJEET

VAROITUS! Käytä lyhtyvalon kättä turvallisesti. Älä koskaan katsoa lyhtyvalon lämpöä suoraan silmiin.
Käytä lyhtyvalon kättä turvallisesti. Älä koskaan katsoa lyhtyvalon lämpöä suoraan silmiin.
Käytä lyhtyvalon kättä turvallisesti. Älä koskaan katsoa lyhtyvalon lämpöä suoraan silmiin.
Käytä lyhtyvalon kättä turvallisesti. Älä koskaan katsoa lyhtyvalon lämpöä suoraan silmiin.

TODISTUS CE-STANDARDIN MUKAISUUDESTA

Vakuutamme yksinvastuullisesti, että kohdassa "Tekniset tiedot" kuvattu tuote vastaa kaikkia sitä koskevia direktiivin 2011/65/EU (RoHS), 2014/30/EU, 2006/42/EY määräyksiä sekä seuraavia harmonisoituja standardisoivia asiakirjoja:
EN 60745-1:2009 + A11:2010
EN 60745-2:1:2010
EN 55014-1:2017
EN 55014-2:2015
EN 50581:2012

Winnenden, 2018-02-08

Alexander Krug
Managing Director
Valtuutettu kokoamaan tekniset dokumentit.
Techronic Industries GmbH
Max-Eyth-Straße 10
71364 Winnenden
Germany

AKKU

Pitäkään käyttämättä olleet vaihtoakut on ladattava ennen käyttöä.
Yli 50 °C lämpötilassa akun suorituskyky heikkenee. Vältäthän akkujen säilyttämistä auringossa tai kuivissa tiloissa.
Pidä aina latauslaitteen ja akun kosketuspinnat puhtaina.
Akut on ladattava täyteen käytön jälkeen optimaalisen eliniän säilyttämiseksi. Mahdollisimman pitkän elinajan takaamiseksi akut tulee poistaa laturista lataamisen jälkeen.
Akkua yli 30 päivää säilytettäessä:
Säilytä akku yli 27 °C:ssa ja kuivassa.
Säilytä akku sen latauksen ollessa 30 % - 50 %.
Lataa akku 6 kuukauden välein uudelleen.

AKUN YLIKUORMITUSVAARA

Jos akku ylikuormittuu erittäin suuren virrankulutuksen vuoksi, esim. erittäin suurten vääntömomenttien, poran terän kiinnijuttumisen, äkillisen pysähtymisen tai lyhytsulun vuoksi, niin sähkötyökalu surisee 2 sekunnin ajan ja sammuu sitten omatomaisesti. Käynnistä laite uudelleen päästämällä katkaisinpainike irti ja kytkemällä se sitten uudelleen.
Erittäin suuressa kuormituksessa saattaa akku kuumeta liikaa. Tässä tapauksessa akku kytkeytyy pois.
Työnä akku sitten latauslaitteeseen ja lataa se jälleen, jotta se aktivoituu.

LITIUM-IONI AKKUJEN KULJETTAMINEN

Litium-ioniakut kuuluvat vaarallisten aineiden kuljetuksesta annettujen lakien piiriin. Näiden akkujen kuljettaminen täytyy suorittaa noudattaen paikallisia, kansallisia ja kansainvälisiä määräyksiä ja säädöksiä.
• Kuluttajat saavat ilman muuta kuljettaa näitä akkuja teitä pitkin.
• Kaupallisessa kuljetuksessa huolintaliikkeiden täytyy kuljettaa litium-ioniakkuja vaarallisten aineiden kuljetuksesta annettujen määräysten mukaisesti. Ainoastaan tähän vastaavasti koulutetut henkilöt saavat suorittaa kuljetuksen valmisteluosittain ja itse kuljetuksen. Koko prosessia tulee valvoa asiaantuntevasti.

Seuraavat kohdat tulee huomioida akkuja kuljetettaessa:

- Varmista, että akkujen kontaktit on suojattu ja eristetty, jotta vältetään lyhytsulut.
- Huolehdi siitä, ettei akkusarja voi luiskahtaa pakaltaan pakkauksen sisällä.
- Vahingoittuneita tai vuotavia akkuja ei saa kuljettaa.

Pyydä tarkemmat tiedot huolintaliikkeeltäsi.

HUOLTO

Käytä ainoastaan AEG lisätarvikkeita ja AEG varaosia. Mikäli jokin komponentti, jota ei ole kuvailtu, tarvitsee vaihtoa ota yhteys johonkin AEG palvelupestistä (kts. listamme takuuhuoltoilikkeiden palvelupisteiden osoitteista)
Tarvittaessa voit pyytää laitteen räjähdyssiiruksen ilmoittamaan konetyypin ja tyyppikilvessä olevan kuusinumeroisen luvun huoltopalvelustasi tai suoraan osoitteella Techronic Industries GmbH, Max-Eyth-Strasse 10, 71364 Winnenden, Saksa.

SYMBOLIT

	HUOMIO! VAROITUS! VAARA!
	Ota akku pois ennen kaikkia koneeseen tehtäviä toimenpiteitä.
	Lue käyttöohjeet huolellisesti, ennen koneen käynnistämistä.
	Sähkölaitteita, paristoja/akkuja ei saa hävittää yhdessä kotitalousjätteiden kanssa. Sähkölaitteet ja akut tulee kerätä erikseen ja toimittaa kierrätyksiin ympäristöystävällistä hävittämistä varten. Pyydä paikallisia viranomaisilta tai alan kauppiailta tarkemmat tiedot kierrätyksistä ja keräyspaikoista.
n_h	Kuormittamaton kierrosluku
v	Jännite AC
	Tasavirta
	CE-merkki
	Kansallinen standardinmukaisuusmerkki Ukraina
TR 066	
	EurAsian vaatimustenmukaisuusmerkki.

TEKNİK VERİLER	VURMALI AKÜ MATKAP VIDASI	BS18C2BL	BSB18C2BL
Üretim numarası	4674 89 01.....	4674 98 01.....	000001-999999.....
Delme çapı çelikte	13 mm	13 mm	40 mm
Delme çapı lahta	40 mm	40 mm	40 mm
Delme çapı tuğla ve kireçli kum taşı	6 mm	6 mm	13 mm
Ağaç vidaları (kilavuz deliksiz)	0-500 min ⁻¹	0-500 min ⁻¹	0-1950 min ⁻¹
Boştaki devir sayısı 1. viteste	0-1950 min ⁻¹	0-1950 min ⁻¹	0-6500 min ⁻¹
Boştaki devir sayısı 2. vites	- min ⁻¹	- min ⁻¹	0-25350 min ⁻¹
Maksimum darbe sayısı 1. viteste	60 Nm	60 Nm	65 Nm
Maksimum darbe sayısı 2. vites	65 Nm	65 Nm	18 V
Tork *1 (1,5 Ah / 2,0 Ah)	1,5-13 mm	1,5-13 mm	1,8 kg
Tork *1 (3,0 Ah / 4,0 Ah)	1,7 kg	1,7 kg	2,0 kg
Kartuş akü genişliği	1,9 kg	1,9 kg	-18...+50 °C
Mandren kapasitesi
Ağırlığı ise EPTA-üretici 01/2003'e göre (1,5 Ah / 2,0 Ah)	L1840R, L1830R, L1820R, L1815R	L1840R, L1830R, L1820R, L1815R	BL1218
Ağırlığı ise EPTA-üretici 01/2003'e göre (3,0 Ah / 4,0 Ah)
Çalışma sırasında tavsiye edilen ortam sıcaklığı
Tavsiye edilen akü tipleri
Tavsiye edilen şarj aletleri

Gürültü/Vibrasyon bilgileri

Ölçüm değerleri EN 60745'e göre belirlenmektedir.

Aletin A değerlendirmeli gürültü seviyesi tipik olarak şu değerdedir:

Ses basıncı seviyesi (Tolerans K=3dB(A))	87,5 dB (A)	87,5 dB (A)
Akustik kapasite seviyesi (Tolerans K=3dB(A))	98,5 dB (A)	98,5 dB (A)

Koruyucu kulaklık kullanılması

Toplam titreşim değeri (üç yönün vektör toplamı) EN 60745'e göre belirlenmektedir:

titreşim emisyon değeri a _n	9 m/s ²
Darbeli beton delme a _n	1,5 m/s ²
Tolerans K=	< 2,5 m/s ²	< 2,5 m/s ²
Metal delme I a _n	1,5 m/s ²
Tolerans K=	< 2,5 m/s ²	< 2,5 m/s ²
Vida ile tuturma a _n	1,5 m/s ²
Tolerans K=	1,5 m/s ²

*1 AEG Standard N 877318'e göre ölçülmüştür.

UYARI

Bu talimatlarda belirtilen titreşim seviyesi, EN 60745 standardına uygun bir ölçme metodu ile ölçülmüştür ve elektrikli el aletleri birbiriyle karşılaştırmak için kullanılabilir. Ölçüm sonuçları ayrıca titreşim yükünün geçici değerlendirilmesi için de uygundur.

Belirtilen titreşim seviyesi, elektrikli el aletinin genel uygulamaları için geçerlidir. Ancak elektrikli el aleti başka uygulamalar için, farklı eklenti parçalarıyla ya da yetersiz bakım koşullarında kullanılırsa, titreşim seviyesi farklılık gösterebilir. Bu durumda, titreşim yükü toplam çalışma zamanı aralığı içerisinde belirgin ölçüde yükselebilir.

Titreşim yükünün tam bir değerlendirilmesi için ayrıca cihazın kapalı olduğu süreler ve cihazın çalışır durumda olduğu, ancak gerçek kullanımda bulunmadığı süreler de dikkate alınmalıdır. Böylelikle, toplam çalışma zamanı aralığı boyunca meydana gelen titreşim yükü belirgin ölçüde azaltılabilir.

Kullanıcıyı titreşimlerin etkisinden korumak üzere, örneğin elektrikli el aletlerinin ve eklenti parçalarının bakımı, ellerin sıcak tutulması ve iş akışlarının organizasyonu gibi ek güvenli tedbirleri belirleyiniz.

UYARI! Bu elektrikli el aletle ilgili bütün uyarıları, talimat hükümlerini, gösterimleri ve spesifikasyonları okuyun. Aşağıda açıklanan talimat hükümlerine uyulmadığı takdirde elektrik çarpmalarına, yangınlara ve/veya ağır yaralanmalara neden olabilir.

AKÜ MATKAP MAKİNELERİ İÇİN GÜVENLİK AÇIKLAMALARI

Tepmeli matkap olarak işitme için koruma cihazı taşıyınız. Gürültü etkisi işitme kaybını etkiler.

Aletle birlikte teslim edilen ek tutamakları kullanın. Aletin kontrolden çıkması kazalara neden olabilir.

Çalışmaya başlamadan önce cihazı öngörülen tutma kulpundan sıkıca tutunuz. Cihaz yüksek bir çıkış torku oluşturmaktadır ve çalışması sırasında cihazı sıkıca tutmazsanız, kontrolünü kaybederek kendinizi yaralayabilirsiniz.

Kesme aletinin eğrilmiş elektrik kabloları veya kendi kablousuna isabet eden çalışmalar yapıldıkça izole edilmiş kollarından tutun.

Kesme aletinin içinden elektrik akımı geçen kablo ile temas etmesi durumunda elektrik akımı cihazın metal kısımlarına geçer ve elektrik çarpmasına sebebiyet verebilir.

Asla matkap ucu için belirtilen maksimum devirden daha yüksek devirler kullanmayınız. Daha yüksek devirlerde matkap ucu, iş parçasına temas etmeden döndüğünde eğilebilir ve bu da yaralanmalara neden olabilir.

Matkap ucu iş parçasına temas ettiğinde daima düşük bir devirle başlayınız. Daha yüksek devirlerde matkap ucu, iş parçasına temas etmeden döndüğünde eğilebilir ve bu da yaralanmalara neden olabilir.

Daima sadece doğrudan matkap ucunun yönüne doğru basınç uygulayınız ve fazla sıkı bastırınız. Matkap uçları bükülebilir ve kırılabilir veya cihazın kontrolünün kaybedilmesine neden olabilirler. Bu da yaralanmalara sebebiyet verebilir.

TORNAVİDALAR İÇİN GÜVENLİK AÇIKLAMASI

Vidayı bükün ve elektrik hattına maruz kalabilen çalışmalar yaparken cihazın izole edilmiş bulunan tutacak kolundan tutun. Voltaj altında kalan vida ile temas edilmesi, metal cihaz parçalarına elektrik akımı verebilir ve bu da elektrik çarpmasına neden olur.

EK GÜVENLİK VE ÇALIŞMA TALİMATLARI

Koruma teçhizatı kullanın.Makinada çalışırken devamlı surette koruyucu gözlük takın. Koruyucu elbise ve tozlardan korunma maskesi, emniyet eldivenleri ve sağlam ve kaymaya mukavim ayakkabı giyin. Başlık ve kulaklık tavsiye edilir.

Çalışma sırasında ortaya çıkan toz genellikle sağlığa zararlıdır ve bedeninize temas etmemelidir. Uygun bir koruyucu toz maskesi kullanın

Sağlık tehlikelerine neden olan malzemelerin işlenmesi yasaktır (örn. asbest).

Uca yerleştirilen takımın bloke olması halinde lütfen cihazı hemen kapatın! Uca yerleştirilen takım bloke olduğu sürece cihazı tekrar çalıştırmayın; bu sırada yüksek reaksiyon momentine sahip bir geri tepme meydana gelebilir. Uca yerleştirilen takımın neden bloke olduğuna bakın ve bu durumu güvenlik uyarılarına dikkat ederek gidin.

Olasi nedenler şunlar olabilir:

- İşlenen parça içinde takılma
- İşlenen malzemenin delinmesi
- Elektrikli alete aşırı yük binmesi

Ellerinizi çalışmakta olan makinenin içine uzatmayınız.

Uca yerleştirilen takım kullanırken çalışırken ısıyabilir.

UYARI! Yanma tehlikesi

- takim değiştirme sırasında
- aletin yere bırakılması sırasında

Alet çalışır durumda iken talaş ve kırıntıları temizlemeye çalışmayın. Duvar, tavan ve zeminde delik açarken elektrik kablolarına, gaz ve su borularına dikkat edin.

İşlenen parçayı bir germe tertibatıyla emniyete alın. Emniyete alınmayan iş parçaları ağır yaralanmalar ve hasarlara neden olabilir.

Aletin kendinde bir çalışma yapmadan önce kartuş aküyü çıkarın. Kullanılmış kartuş aküleri ateşe veya ev çöplerine atmayın. AEG, kartuş akülerin çevreye zarar vermeyecek biçimde tasfiye edilmesine olanak sağlayan hizmet sunar; lütfen bu konuda yetkili satıcınızdan bilgi alın.

Kartuş aküleri metal parça veya eşyalarla birlikte saklamayın (kısa devre tehlikesi).

GBS sistemli kartuş aküleri sadece GBS sistemli şarj cihazları ile şarj edin. Başka sistemli aküleri şarj etmeyin.

Kartuş aküleri ve şarj cihazını açmayın ve sadece kuru yerlerde saklayın. Neme ve ıslanmaya karşı koruyun.

Aşırı zorlanma veya aşırı ısınma sonucu hasar gören kartuş akülerden batarya sıvısı dışarı çıkabilir. Batarya sıvısı ile temas gelen yerleri hemen bol su ve sabunla yıkayın. Batarya sıvısı gözüneze kaçacak olursa en azından 10 dakika yıkayın ve zaman geçirmeden bir hekime başvurun.

Kapasitesi 9,0 Ah veya daha yüksek olan bir akü kullanıldığında DAIİMA EK BİR SAP KULLANINIZ; bazı elektrikli aletlerin torku yükselebilir. Matkap vidalama veya darbeli matkap vidalama aletiniz yanında ek sap olmadan teslim edildiyse, lütfen yedek parça olan ek sapı kullanınız (elektrikli aletin ayrıntılı çözümüne bakınız). Makine çalışır vaziyetteyken ve basmalı düğme bloke edilmediğinde vida uçları takmayın. Dönen vida ucu kullanıcıya zarar verebilir.

Uyarı! Bir kısa devreden kaynaklanan yangın, yaralanma veya ürün hasarları tehlikesini önlemek için alet, güç paketini veya şarj cihazını asla sıvıların içine daldırmayınız ve cihazların ve pillerin içine sıvı girmesini önleyiniz. Tuzlu su, belirlî kimyasallar, ağırtıcı madde veya ağırtıcı madde içeren ürünler gibi korozif veya iletken sıvılar kısa devreye neden olabilir.

KULLANIM

Bu akülü elektronik darbeli matkap şebeke akımından bağımsız olarak delme, darbeli delme ve vidalama işlerinde çok yönlü olarak kullanılabilir.

Bu alet sadece belirtilği gibi ve usulüne uygun olarak kullanılabilir.

CE UYGUNLUK BEYANI

Tek sorumlu olarak "Teknik Veriler" bölümünde tarif edilen ürünün 2011/65/EU (RoHS), 2014/30/EU, 2006/42/EC sayılı direktifin ve aşağıdaki harmonize temel belgelerin bütün önemli hükümlerine uygun olduğunu beyan etmekteyiz.

EN 60745-1:2009 + A11:2010

EN 60745-2-1:2010

EN 55014-1:2017

EN 55014-2:2015

EN 50581:2012

Winnenden, 2018-02-08

Alexander Krug

Alexander Krug

Managing Director

Teknik evrakları hazırlamakla görevlendirilmiştir.

Techtronic Industries GmbH

Max-Eyth-Straße 10

71364 Winnenden

Germany

AKÜ

Uzun süre kullanım dışı kalmış kartuş aküleri kullanmadan önce şarj edin.

50°C üzerindeki sıcaklıklar kartuş akünün performansını düşürür.

Akünün güneş ışığı veya mekân sıcaklığı altında uzun süre ısınmamasına dikkat edin.

Şarj cihazı ve kartuş aküdeki bağlantı kontaklarını temiz tutun.

Akünün ömrünün mükemmel bir şekilde uzun olması için kullandıktan sonra tamamen doldurulması gerekir.

Ömrünün mümkün olduğu kadar uzun olması için akülerin yüklemeye yapıldıktan sonra doldurma cihazından uzaklaştırılması gerekir.

Akünün 30 günden daha fazla depolanması halinde:

Aküyü takriben 27°C'de kuru olarak depolayın.

Aküyü yükleme durumunun takriben % 30 - %50 olarak depolayın.

Aküyü her 6 ay yeniden doldurun.

AKÜNÜN AŞIRI YÜKLENMEYE KARŞI KORUNMASI

Pek fazla elektrik tüketimi yapılmak suretiyle aküye fazla yüklenildiğinde, örneğin aşırı devir momentleri, matkap sıkıştırması, aniden durma veya kısa devre, elektrikli alet 2 saniye garip sesler çıkarır ve kendiliğinden durur.

Aleti yeniden çalıştırmak için şalter baskı kolunu serbest bırakın ve bundan sonra tekrar çalıştırın. Aşırı yüklenme durumunda ise akü pek

fazla ısınır. Bu durumda akü kendiliğinden durur. Aküyü tekrar doldurmak ve aktif hale getirmek amacı ile şarja bağlayın.

LİTYUM İYON PİLLERİN TAŞINMASI

Lityum iyon piller tehlikeli madde taşımacılığı hakkındaki yasal hükümler tabidir.

Bu piller, bölgesel, ulusal ve uluslararası yönetmeliklere ve hükümlere uyularak taşınmak zorundadır.

- Tüketiciler bu pilleri herhangi bir özel şart aranmaksızın karayoluyla taşıyabilirler.
- Lityum iyon pillerin nakliye şirketleri tarafından ticari taşımacılığı için tehlikeli madde taşımacılığının hükümleri geçerlidir. Sevki hazırlığı ve taşıma sadece ilgili eğitilmiş personel tarafından gerçekleştirilebilir. Bütün süreç uzmanca bir refakatçilik altında gerçekleştirilmelidir.

Pillerin taşınması sırasında aşağıdaki hususlara dikkat edilmesi gerekmektedir:

- Kısa devre oluşmasını önlemek için kontakların korunmuş ve izole edilmiş olması sağlanmalıdır.
- Pil paketinin ambalajı içinde kaymamasına dikkat edin.
- Hasarlı veya akmış pillerin taşınması yasaktır.

Ayrıca bilgiler için nakliye şirketinize başvurunuz.

BAKIM

Sadece Milwaukee aksesuarı ve yedek parçası kullanın. Nasıl değiştirileceği açıklanmamış olan yapı parçalarını bir Milwaukee müşteri servisinde değiştirin (Garanti ve servis adresi broşürüne dikkat edin). Gerekliğinde cihazın ayrıntılı çizimini, güç levhası üzerindeki makine modelini ve alt haneli rakamı belirterek müşteri servisinizden veya doğrudan Techtronic Industries GmbH, Max-Eyth-Straße 10, 71364 Winnenden, Germany adresinden isteyebilirsiniz.

SEMBOLLER

	DİKKATİ UYARI! TEHLİKE!
	Aletin kendinde bir çalışma yapmadan önce kartuş aküyü çıkarın.
	Lütfen aleti çalıştırmadan önce kullanma kılavuzunu dikkatli biçimde okuyun.
	Elektrikli cihazların, pillerin/akülerin evsel atıklarla birlikte bertaraf edilmesi yasaktır. Elektrikli cihazlar ve aküler ayrılarak biriktirilmeli ve çevreye zarar vermeden bertaraf edilmeleri için bir atık değerlendirme tesisine götürülmelidirler. Yerel makamlara veya satıcınıza geri dönüşüm tesisleri ve atık toplama merkezlerinin yerlerini danışınız.
n_n	Boştaki devir sayısı
V	Voltaj
	Doğru akım
	CE işareti
	Ulusal uygunluk işareti Ukrayna
	TR 066
	EurAsian Uyumluluk işareti

DANE TECHNICZNE AKUMULATOROWA WIERTARKA/WKRĘTARKA UDAROWA	BS18C2BL	BSB18C2BL
Numer produkcyjny.....	4674 89 01...000001-999999	4674 98 01...000001-999999
Zdolność wiercenia w stali.....13 mm13 mm
Zdolność wiercenia w drewnie.....40 mm40 mm
Zdolność wiercenia w cegła i płytki ceramiczne.....6 mm13 mm
Wkręty do drewna (bez nawiercania wstępnego).....0-500 min ⁻¹0-500 min ⁻¹
Prędkość bez obciążenia na pierwszym biegu.....0-1950 min ⁻¹0-1950 min ⁻¹
Prędkość bez obciążenia na drugi bieg.....- min ⁻¹0-6500 min ⁻¹
Częstotliwość uderu na pierwszym biegu.....- min ⁻¹0-25350 min ⁻¹
Częstotliwość uderu na drugi bieg.....60 Nm60 Nm
Moment obrotowy *1 (1,5 Ah / 2,0 Ah).....65 Nm65 Nm
Moment obrotowy *1 (3,0 Ah / 4,0 Ah).....18 V18 V
Napięcie baterii akumulatorowej.....1,5-13 mm1,5-13 mm
Zakres otwarcia uchwytu wiertarskiego.....1,7 kg1,8 kg
CieŜar wg procedury EPTA 01/2003 (1,5 Ah / 2,0 Ah).....1,9 kg2,0 kg
CieŜar wg procedury EPTA 01/2003 (3,0 Ah / 4,0 Ah).....-18...+50 °C
Zalecana temperatura obrotowa w trakcie pracy.....L1840R, L1830R, L1820R, L1815R
Zalecane rodzaje akumulatora.....BL1218
Zalecane ładowarki.....

Informacja dotycząca szumów / wibracji

Zmierzone wartości wyznaczono zgodnie z normą EN 60745.

Typowy poziom ciśnienia akustycznego mierzony wg krzywej A:

Poziom ciśnienia akustycznego (Niepewność K=3dB(A)).....

Poziom mocy akustycznej (Niepewność K=3dB(A)).....

Należy używać ochroniaczy uszu!

Wartości łączne drgań (suma wektorowa trzech kierunków) wyznaczone zgodnie z normą EN 60745

Wartość emisji drgań a_v

Wiercenie udarowe w betonie a_{h,ud}.....

Niepewność K=.....

Wiercenie w metalu. l a_{v,ud}.....

Niepewność K=.....

Przykręcanie a_v.....

Niepewność K=.....

*1 Zmierzone zgodnie z normą AEG N 877318

OSTRZEŻENIE

Podany w niniejszych instrukcjach poziom drgań został zmierzony za pomocą metody pomiarowej zgodnej z normą EN 60745 i może być użyty do porównania ze sobą elektronarzędzi. Nadaje się on również do tymczasowej oceny obciążenia wibracyjnego.

Podany poziom drgań reprezentuje główne zastosowania elektronarzędzia. Jeśli jednakże elektronarzędzie użyte zostanie do innych celów z innym narzędziami roboczymi lub nie jest dostatecznie konserwowane, wtedy poziom drgań może wykazywać odchylenie. Może to wyraźnie zwiększyć obciążenie wibracją przez cały okres pracy.

Dla dokładnego określenia obciążenia wibracją należy uwzględnić również czasy, w których urządzenie jest wyłączone względnie jest włączone, lecz w rzeczywistości nie pracuje. Może to spowodować wyraźną redukcję obciążenia wibracyjnego w całym okresie pracy.

Należy wprowadzić dodatkowe środki zapobiegawcze celem ochrony obsługującego przed oddziaływaniem drgań, jak na przykład: konserwacja narzędzi roboczych i elektronarzędzi, nagranie rąk, organizacja przebiegu pracy.

OSTRZEŻENIE! Należy przeczytać wszystkie wskazówki bezpieczeństwa, instrukcje, opisy i specyfikacje dotyczące tego elektronarzędzia. Zaniedbania w przestrzeganiu poniższych wskazówek mogą spowodować porażenie prądem, pożar i/lub ciężkie obrażenia ciała.

WSKAZÓWKI BEZPIECZEŃSTWA DLA WIERTAREK

Do wiercenia udarowego należy zakładać ochronniki słuchu. Hałas może powodować utratę słuchu.

Stosować uchwyty pomocnicze dostarczone z narzędziem. Utrata kontroli może spowodować obrażenia.

Przed rozpoczęciem pracy narzędzie należy chwycić pewnie za odpowiedni uchwyt. Niniejsze narzędzie wytwarza wysoki zdawczy moment obrotowy i w przypadku, gdy użytkownik będzie trzymał je niepewnie w trakcie pracy, może utracić nad nim kontrolę i doznać obrażeń.

Trzymaj urządzenie za izolowane powierzchnie chwytno, gdy wykonujesz roboty, w trakcie których narzędzie skrawające może natrafić na ukryte przewody prądowe lub na własny kabel.

Styczność narzędzia skrawającego z będącym pod napięciem przewodem może spowodować podłączenie części metalowych urządzenia do napięcia i prowadzić do porażenia prądem elektrycznym.

Nigdy nie należy przekraczać maksymalnej liczby obrotów podanej dla danego wiertła. W przypadku wysokich obrotów może dojść do wygięcia wiertła w momencie jego kontaktu z obrabianym elementem, co może doprowadzić do obrażeń.

Należy zawsze zaczynać od niskich obrotów i pracować na nich w momencie kontaktu wiertła z obrabianym elementem. W przypadku wysokich obrotów może dojść do wygięcia wiertła w momencie jego kontaktu z obrabianym elementem, co może doprowadzić do obrażeń.

Zawsze należy naciskać tylko w bezpośrednim kierunku na wiertło i nie używać przy tym nadmiernej siły. Może dojść do wygięcia i zlamania wiertła lub do utraty kontroli nad narzędziem, co może natomiast doprowadzić do obrażeń.

BS18C2BL	BSB18C2BL
.....4674 89 01...000001-9999994674 98 01...000001-999999
.....13 mm13 mm
.....40 mm40 mm
.....6 mm13 mm
.....0-500 min ⁻¹0-500 min ⁻¹
.....0-1950 min ⁻¹0-1950 min ⁻¹
.....- min ⁻¹0-6500 min ⁻¹
.....- min ⁻¹0-25350 min ⁻¹
.....60 Nm60 Nm
.....65 Nm65 Nm
.....18 V18 V
.....1,5-13 mm1,5-13 mm
.....1,7 kg1,8 kg
.....1,9 kg2,0 kg
.....-18...+50 °C
.....L1840R, L1830R, L1820R, L1815R
.....BL1218

.....87,5 dB (A).....

.....87,5 dB (A).....

.....98,5 dB (A).....

.....98,5 dB (A).....

.....

.....

.....

.....

.....

.....

.....

.....

.....

.....

.....

.....

.....

.....

.....

.....

.....

.....

.....

.....

.....

.....

.....

.....

.....

.....

.....

.....

.....

.....

.....

.....

.....

.....

.....

.....

.....

.....

.....

.....

.....

.....

.....

.....

.....

.....

.....

.....

.....

.....

.....

.....

.....

.....

.....

.....

.....

.....

.....

.....

.....

.....

.....

Podczas pracy przy ścianach, sufitach i podłodze należy uważać na kable elektryczne, przewody gazowe i wodociągowe.

Należy zabezpieczyć przedmiot poddawany obróbce za pomocą urządzenia mocującego. Niezabezpieczone przedmioty poddawane obróbce mogą spowodować ciężkie obrażenia ciała i uszkodzenia.

Przed przystąpieniem do jakichkolwiek prac na elektronarzędziu należy wyjąć wkładkę akumulatorową.

Zużytych akumulatorów nie wolno wrzucać do ognia ani traktować jako odpadów domowych. AEG oferuje ekologiczną uтиlizację zużytych akumulatorów.

Nie przechowywać akumulatorów wraz z przedmiotami metalowymi (niebezpieczeństwo zwarcia).

Akumulator Systemu GBS należy ładować wyłącznie przy pomocy ładowarek Systemu GBS. Nie ładować przy pomocy tych ładowarek akumulatorów innych systemów.

Nie otwierać wkładek akumulatorowych i ładowarek. Przechowywać w suchych pomieszczeniach. Chronić przed wilgocią.

W skrajnych warunkach temperaturowych lub przy bardzo dużym obciążeniu może dochodzić do wyieku kwasu akumulatorowego z uszkodzonych baterii akumulatorowych. W przypadku kontaktu z kwasem akumulatorowym należy natychmiast przemyć miejsce kontaktu wodą z mydłem. W przypadku kontaktu z oczami należy dokładnie przepłukiwać oczy przynajmniej przez 10 minut i zwrócić się natychmiast o pomoc medyczną.

NALÉZY KÓRZYŹYSTAĆ Z DODATKOWEGO UCHEWYTU ZAWSZE WTEDEY, gdy stosowany jest akumulator o pojemności co najmniej 9,0 Ah; moment obrotowy elektronarzędzia może się zwiększyć. Jeśli Państwa wkretarka lub wkrętarła udarowa została dostarczona bez dodatkowego uchwytu, prosimy zastosować część zamienną dodatkowego uchwytu (patrz rysunek złoŹeniony elektronarzędzia).

Nie wkładać bitów, gdy urządzenie jest włączone, a także gdy przycisk wyłącznika nie jest zablokowany. Obracający bit może doprowadzić do obrażeń operatora.

OstrzeŜenie! Aby uniknąć niebezpieczeństwa pożaru, obrażeń lub uszkodzeń produktu na skutek zwarcia, nie wolno zanurzać narzędzia, akumulatora wymiennego ani ładowarki w cieczach i należy zatroszczyć się o to, aby do urządzeń i akumulatorów nie dostały się żadne ciecze. Zwarcie spowodować mogą korodujące lub przewodzące ciecze, takie jak woda morską, określone chemikalia i wybielacze lub produkty zawierające wybielacze.

WARUNKI UŻYTKOWANIA

Elektroniczna akumulatorowa wiertarka udarowa/wkrętarła przeznaczona jest do wiercenia, wiercenia udarowego, a także wkręcania przy pracy z dala od źródła zasilania sieciowego. Produkt można użytkować wyłącznie zgodnie z jego normalnym przeznaczeniem.

DEKLARACJA ZGODNOŚCI CE

Oświadczamy na naszą wyłączną odpowiedzialność, że produkt opisany w punkcie "Dane techniczne" jest zgodny ze wszystkimi istotnymi przepisami Dyrektywy 2011/65/EU (RoHS), 2014/30/UE, 2006/42/WE oraz z następującymi zharmonizowanymi dokumentami normatywnymi:

EN 60745-1:2009 + A11:2010

EN 60745-2-1:2010

EN 55014-1:2017

EN 55014-2:2015

EN 50581:2012

Winnenden, 2018-02-08

Alexander Krug

Managing Director

Upelnomocniony do zestawienia danych technicznych

Techtronic Industries GmbH

Max-Eyth-StraÙe 10

71364 Winnenden

Germany

CE

wyłącznika. Pod ekstremalnymi obciążeniami może dojść do silnego nagrzania się akumulatora. W takim wypadku akumulator wyłączy się.

Wówczas należy wetknąć akumulator do ładowarki, aby go ponownie naładować i aktywować.

TRANSPORT AKUMULATORÓW LITOWO-JONOWYCH

Akumulatory litowo-jonowe podlegają ustawowym przepisom dotyczącym transportu towarów niebezpiecznych.

Transport tych akumulatorów winien odbywać się przy przestrzeganiu lokalnych, krajowych i międzynarodowych rozporządzeń i przepisów.

- Odbiorcom nie wolno transportować tych akumulatorów po drogach od tak po prostu.
- Komercyjny transport akumulatorów litowo-jonowych przez przedsiębiorstwa spedycyjne podlega przepisom dotyczącym transportu towarów niebezpiecznych. Przygotowania do wysyłki oraz transport mogą być wykonywane wyłącznie przez odpowiednio przeszkolone osoby. Cały proces winien odbywać się pod fachowym nadzorem.

W czasie transportu akumulatorów należy przestrzegać następujących punktów:

- Celem uniknięcia zwarcia należy upewnić się, że zestyki są zabezpieczone i zainizolowane.
- Zwracać uwagę na to, aby zespół akumulatorów nie mógł się przemieszczać we wnętrzu opakowania.
- Nie wolno transportować akumulatorów uszkodzonych lub z wyciekającą z elektrolitem.

Odnosnie dalszych wskázówek należy zwrócić się do swojego przedsiębiorstwa spedycyjnego.

UTRZYMANIE I KONSERWACJA

Używać tylko i wyłącznie wyposażenia dodatkowego AEG i części zamiennych AEG. Gdyby trzeba było wymienić części, które nie zostały opisane, należy skontaktować się z przedstawicielem serwisu AEG (patrz wykaz adresów punktów usługowych/gwarancyjnych).

W razie potrzeby można zamówić rysunek urządzenia w rozłożeniu na części podając typ maszyny oraz sześciodziesiętny numer na tabliczce znamionowej w Punkcie Obsługi Klienta lub bezpośrednio w firmie Techtronic Industries GmbH, Max-Eyth-StraÙe 10,

71364 Winnenden, Germany.

SYMBOLY

MŰSZAKI ADATOK	AKKUMULÁTOROS ÜTVEFÚRÓ/CSAVARZÓGÉP	BS18C2BL	BSB18C2BL
Gyártási szám.....	4674 89 01.....	4674 98 01.....	000001-999999
Furat-ø acélba	13 mm	13 mm	
Furat-ø fába.....	40 mm.....	40 mm	
Furat-ø téglába és mészkőbe.....		13 mm	
Facsavar (előfúrás nélkül).....	6 mm.....	6 mm.....	
Üresjáratú fordulatszám 1. sebességen	0-500 min ⁻¹	0-500 min ⁻¹	
Üresjáratú fordulatszám 2. fokozatban	0-1950 min ⁻¹	0-1950 min ⁻¹	
Ütésszám 1. sebességen	- min ⁻¹	0-6500 min ⁻¹	
Ütésszám 2. fokozatban	- min ⁻¹	0-25350 min ⁻¹	
Forgatónyomaték *1 (1,5 Ah / 2,0 Ah).....	60 Nm.....	60 Nm.....	
Forgatónyomaték *1 (3,0 Ah / 4,0 Ah).....	65 Nm.....	65 Nm.....	
Akkumulátor feszültség	18 V	18 V	
Befogási tartomány	1,5-13 mm.....	1,5-13 mm.....	
Súly a 01/2003 EPTA-eljárás szerint (1,5 Ah / 2,0 Ah).....	1,7 kg	1,8 kg	
Súly a 01/2003 EPTA-eljárás szerint (3,0 Ah / 4,0 Ah).....	1,9 kg	2,0 kg	
Ajánlott környezeti hőmérséklet munkavégzésnél.....-18...+50 °C		
Ajánlott akkutípusok..... L1840R, L1830R, L1820R, L1815R		
Ajánlott töltőkészülékek..... BL1218		

Zaj-/Vibráció-információ

A közölt értékek megfelelnek az EN 60745 szabványnak.		
Szabvány szerinti A-értékelésű hangszint:		
Hangnyomás szint (K bizonytalanság=3dB(A)).....	87,5 dB (A).....	87,5 dB (A)
Hangteljesítmény szint (K bizonytalanság=3dB(A)).....	98,5 dB (A).....	98,5 dB (A)

Hallásvédő eszköz használata ajánlott!

Összeállított rezgésértékek (három irányú vektorális összege) az EN 60745-nek megfelelően meghatározva.

a) rezgésemisszió érték

Ütvefúrás betonban a _{hD}	9 m/s ²
K bizonytalanság =	1,5 m/s ²
Fúrás fémben I a _{hD}	< 2,5 m/s ²	< 2,5 m/s ²
K bizonytalanság =	1,5 m/s ²	1,5 m/s ²
Csavarozás a _{hD}	< 2,5 m/s ²	< 2,5 m/s ²
K bizonytalanság =	1,5 m/s ²	1,5 m/s ²

*1 Az AEG N 877318 szabvány szerint mérve

FIGYELMEZTETÉS

A jelen utasításokban megadott rezgésszint értéke az EN 60745-ben szabályozott mérési eljárásnak megfelelően került leírásra, és használható elektromos számszámokkal történő összehasonlítható. Az érték alkalmas a rezgésterhelés előzetes megbecsülésére is. A megadott rezgésszint-érték az elektromos szerszám leg több alkalmazásait reprezentálja. Ha az elektromos szerszámot azonban más alkalmazásokhoz, eltérő használt számszámokkal vagy nem elegendő karbantartással használják, a rezgésszint értéke eltérő lehet. Ez jelentősen megnövelheti a rezgésterhelést a munkavégzés teljes időtartama alatt.

A rezgésterhelés pontos megbecsüléséhez azokat az időket is figyelembe kell venni, melyekben a készülék lekapcsolódik, vagy ugyan működik, azonban ténylegesen nincs használatban. Ez jelentősen csökkentheti a rezgésterhelést a munkavégzés teljes időtartama alatt.

Határozott meg további biztonsági intézkedéseket a kezelő védelmére a rezgések hatása ellen, például: az elektromos és a használt számszámok karbantartásával, a kezek melegen tartásával, a munkafolyamatok megszervezésével.

▲ FIGYELMEZTETÉS! Olvassa el az elektromos kéziszerszámra vonatkozó összes biztonsági útmutatást, utasítást, ábrát és specifikációt. A következőkben leírt utasítások betartásának elmulasztása áramütésekhez, tűzhöz és/vagy súlyos testi sérülésekhez vezethet.

▲ BIZTONSÁGI ÚTMUTATÁSOK FÚRÓGÉPEKHEZ

Ütvefúráskor viseljen hallásvédőt. A zaj hatása hallásvesztést okozhat. Használja a készülékkel együtt szállított kőfogantyúkat. A készülék fölötti ellenőrzés elvesztése sérüléseket okozhat.

A munka megkezdése előtt erősen fogja meg a készüléket az e célra kialakított markolatnál. Ez a készülék magas meghúzási nyomatékot hoz létre, és ha használat közben nem tartja erősen a készüléket, elveszíheti felette a kontrollt és megsérülhet.

A készüléket a szigetelt markolatfelületeket fogva tartsa, ha olyan munkákat végez, melyeknél a vágószerszám rejtett elektromos vezetékbe vagy saját vezetékbe ütközhet.

A vágószerszám feszültségvezető vezetékkel való érintkezésekor a készülék fém részei is feszültség alá kerülhetnek és elektromos áramütés következhet be.

Soha ne alkalmasz a fűrészárhoz megadott maximálisnál magasabb fordulatszámot. Magasabb fordulatszámnál a fűrészar elgöbülnhet, ha úgy forog, hogy közben nem ér hozzá a munkadarabhoz, ami sérülésekhez vezethet.

Mindig alacsony fordulatszámmal kezdjen és úgy, hogy a fűrészar közben hozzáérjen a munkadarabhoz. Magasabb fordulatszámmal a fűrészar elgöbülnhet, ha úgy forog, hogy közben nem ér hozzá a munkadarabhoz, ami sérülésekhez vezethet.

Mindig a fűrészar közvetlen irányában gyakoroljon nyomást és ne nyomja túl erősen a készüléket. A fűrészarak elgöbülnhetnek és eltörhetnek, vagy a készülék kontrollálhatatlanná válnhat, ami szintén sérüléseket okozhat.

MŰSZAKI ADATOK	AKKUMULÁTOROS ÜTVEFÚRÓ/CSAVARZÓGÉP	BS18C2BL	BSB18C2BL
Gyártási szám.....	4674 89 01.....	4674 98 01.....	000001-999999
Furat-ø acélba	13 mm	13 mm	
Furat-ø fába.....	40 mm.....	40 mm	
Furat-ø téglába és mészkőbe.....		13 mm	
Facsavar (előfúrás nélkül).....	6 mm.....	6 mm.....	
Üresjáratú fordulatszám 1. sebességen	0-500 min ⁻¹	0-500 min ⁻¹	
Üresjáratú fordulatszám 2. fokozatban	0-1950 min ⁻¹	0-1950 min ⁻¹	
Ütésszám 1. sebességen	- min ⁻¹	0-6500 min ⁻¹	
Ütésszám 2. fokozatban	- min ⁻¹	0-25350 min ⁻¹	
Forgatónyomaték *1 (1,5 Ah / 2,0 Ah).....	60 Nm.....	60 Nm.....	
Forgatónyomaték *1 (3,0 Ah / 4,0 Ah).....	65 Nm.....	65 Nm.....	
Akkumulátor feszültség	18 V	18 V	
Befogási tartomány	1,5-13 mm.....	1,5-13 mm.....	
Súly a 01/2003 EPTA-eljárás szerint (1,5 Ah / 2,0 Ah).....	1,7 kg	1,8 kg	
Súly a 01/2003 EPTA-eljárás szerint (3,0 Ah / 4,0 Ah).....	1,9 kg	2,0 kg	
Ajánlott környezeti hőmérséklet munkavégzésnél.....-18...+50 °C		
Ajánlott akkutípusok..... L1840R, L1830R, L1820R, L1815R		
Ajánlott töltőkészülékek..... BL1218		

Zaj-/Vibráció-információ

A közölt értékek megfelelnek az EN 60745 szabványnak.		
Szabvány szerinti A-értékelésű hangszint:		
Hangnyomás szint (K bizonytalanság=3dB(A)).....	87,5 dB (A).....	87,5 dB (A)
Hangteljesítmény szint (K bizonytalanság=3dB(A)).....	98,5 dB (A).....	98,5 dB (A)

Hallásvédő eszköz használata ajánlott!

Összeállított rezgésértékek (három irányú vektorális összege) az EN 60745-nek megfelelően meghatározva.

a) rezgésemisszió érték

Ütvefúrás betonban a _{hD}	9 m/s ²
K bizonytalanság =	1,5 m/s ²
Fúrás fémben I a _{hD}	< 2,5 m/s ²	< 2,5 m/s ²
K bizonytalanság =	1,5 m/s ²	1,5 m/s ²
Csavarozás a _{hD}	< 2,5 m/s ²	< 2,5 m/s ²
K bizonytalanság =	1,5 m/s ²	1,5 m/s ²

*1 Az AEG N 877318 szabvány szerint mérve

FIGYELMEZTETÉS

A jelen utasításokban megadott rezgésszint értéke az EN 60745-ben szabályozott mérési eljárásnak megfelelően került leírásra, és használható elektromos számszámokkal történő összehasonlítható. Az érték alkalmas a rezgésterhelés előzetes megbecsülésére is. A megadott rezgésszint-érték az elektromos szerszám leg több alkalmazásait reprezentálja. Ha az elektromos szerszámot azonban más alkalmazásokhoz, eltérő használt számszámokkal vagy nem elegendő karbantartással használják, a rezgésszint értéke eltérő lehet. Ez jelentősen megnövelheti a rezgésterhelést a munkavégzés teljes időtartama alatt.

A rezgésterhelés pontos megbecsüléséhez azokat az időket is figyelembe kell venni, melyekben a készülék lekapcsolódik, vagy ugyan működik, azonban ténylegesen nincs használatban. Ez jelentősen csökkentheti a rezgésterhelést a munkavégzés teljes időtartama alatt.

Határozott meg további biztonsági intézkedéseket a kezelő védelmére a rezgések hatása ellen, például: az elektromos és a használt számszámok karbantartásával, a kezek melegen tartásával, a munkafolyamatok megszervezésével.

▲ BIZTONSÁGI ÚTMUTATÁSOK CSAVARZÓGÉPEKHEZ

Olyan munkák végzésekor, melyeknél a csavar rejtett áramvezetékeket érhet, a szigetelt markolati felületeknél tartsa a készüléket. A csavar feszültségvezető vezetékkel érintkezve fém alkatrészeket helyezhet feszültség alá, és elektromos áramütést idézhet elő.

TOVÁBBI BIZTONSÁGI ÉS MUNKAÉVÉZESI UTASÍTÁSOK

Használjon védőfelszerelést! Ha a gépen dolgozik, mindig hordjon védőszemüveget! Javasoljuk a védőruházat, úgymint porvédő maszk, védőcipő, erős és csúszásbiztos lábbeli, sisak és hallásvédő használatát.

A munka során keletkező por gyakran egészségre káros, ezért ne kerüljön a szervezetbe. Hordjon e célra alkalmas porvédőmaszkot. Nem szabad olyan anyagokat megmunkálni, amelyek egészségre veszélyesek (pl. azbeszét).

A betétszerszám elakadásakor azonnal ki kell kapcsolni a készüléket! Addig ne kapcsolja vissza a készüléket, amíg a betétszerszám elakadása fennáll; ennek során nagy ellennyomatékú visszarúgás történhet. Határozza és szüntesse meg a betétszerszám elakadásának okát a biztonsági útmutatások betartása mellett.

Ennek következtében lehetnek az okai:

- a szerszám elakad a megmunkálendő munkadarabban
- a megmunkálendő anyag átszakadt
- az elektromos szerszám túlterhelése

Ne nyúljon a járó géphe.

A betétszerszám az alkalmazás során felforrósodhat.

FIGYELMEZTETÉS! Egési sérülések veszélye

- szerszámcserék
- a készülék lerakásakor

A munka közben keletkezett forgácsokat, szilánkokat, törmeléket, stb. csak a készülék teljes leállása után szabad a munkaterületről eltávolítani. Falban, földben, aljzatban történő fúrásnál fokozottan ügyelni kell az elektromos-, víz- és gázvezetésekre.

Biztosítsa a munkadarabot befogó szerkezettel. A nem biztosított munkadarabok súlyos sérüléseket és károkat okozhatnak.

Karbantartás, javítás, tisztítás, stb. előtt az akkumulátort ki kell venni a készülékből.

A használt akkumulátort ne dobja tűzbe vagy a háztartási szemétebe. Tájékoztódjon a szakszerű megsemmisítés helyi lehetőségeiről.

Az akkumulátort ne tárolja együtt fém tárgyakkal. (Rövidzárlat veszélye).

Az GBS elevenezési rendszerhez tartozó akkumulátorokat kizárólag a rendszerhez tartozó töltővel töltsse fel. Ne használjon más rendszerbe tartozó töltőt.

Az akkumulátort, töltőt nem szabad megbontani és kizárólag száraz helyen szabad tárolni. Nedvesítől óvni kell.

Akkumulátor sav folyhat a sérült akkumulátorból extrém terhelés alatt, vagy extrém hő miatt. Ha az akkumulátor sav a bőrre kerül azonnal mossa meg szappanos vízzel. Szembe kerülés esetén folyóvíz alatt tartsa a szemét minimum 10 percig és azonnal forduljon orvoshoz.

MINDIG HASZNÁLJON KIEGÉSZÍTŐ FOGANYÚT, ha 9,0 Ah-s vagy nagyobb kapacitású akkut használ; egyes elektromos szerszámok forgatónyomatéka megnöhet. Ha az Ön fűrészarozója vagy ütvefúró-csavarozója kiegészítő foganyú nélkül került leszállításra, akkor kérjük, használja a kiegészítő foganyú póialkatrészt (lásd az elektromos szerszám robbantott rajzát).

Ne helyezzen be bitet, ha a gép jár és a kapcsológomb nincs reteszelve. A forgó bit sérülést okozhat a készülék használójának.

Figyelmeztetés! A rövidzárlat általi tűz, sérülések vagy termékárosodások veszélye elkerülésére ne merítse a szerszámot, a cserélhető akkut vagy a töltőkészüléket folyadékokba, és gondoskodjon arról, hogy ne hatoljanak folyadékok a készülékbe és az akkuba. A korrozív hatású vagy vezetőképes folyadékok, mint pl. a sós víz, bizonyos vegyi anyagok, fémhígítók vagy fémhígító tartalmú termékek, rövidzárlatot okozhatnak.

RENDELTESSZERŰ HASZNÁLAT

Az akkumulátoros, elektronikus ütvefúró-csavarozó hálózatról függetlenül általában használható fűrészhöz, ütvefúráshoz és csavarozáshoz.

A készüléket kizárólag az alábbiakban leírtaknak megfelelően szabad használni.

CE-AZONOSSÁGI NYILATKOZAT

Egyedüli felelősséggel kijelentjük, hogy a "Műszaki Adatok" alatt leírt termék a 2011/65/EU (RoHS), 2014/30/EU, 2006/42/EK irányelvek minden releváns előírásának ill. az alábbi harmonizált normatív dokumentumoknak megfelel:

EN 60745-1:2009 + A11:2010

EN 60745-2-1:2010

EN 55014-1:2017

EN 55014-2:2015

EN 50581:2012

Winnenden, 2018-02-08



Alexander Krug

Managing Director

Műszaki dokumentáció összeállításra felhatalmazva

Technic Industries GmbH

Max-Eyth-Straße 10

71364 Winnenden

Germany

AKKUK

A hosszabb ideig üzemben kívül lévő akkumulátort használat előtt ismétellen fel kell tölteni.

50°C feletti hőmérsékletnél csökkenhet az akkumulátor teljesítménye. Kerülni kell a tűzotthon meleg helyen vagy napon történő hosszabb idejű tárolást.

A töltő és az akkumulátor csatlakozóit mindig tisztán kell tartani.

Az optimális élettartam érdekében használat után az akkukat teljesen fel kell tölteni.

A lehetőleg hosszú élettartamhoz az akkukat feltöltés után ki kell venni a töltőkészülékből.

Az akku 30 napot meghaladó tárolása esetén:

Az akkut kb. 27 °C-on, száraz helyen kell tárolni.

Az akkut kb. 30%-os töltöttségi állapotban kell tárolni.

Az akkut 6 havonta újra fel kell tölteni.

AZ AKKUMULÁTOR TÚLTERHELÉS ELLENI VÉDELME

Az akku túl magas áramfogyasztás miatti, pl. túl nagy forgatónyomatékok, a fűrészar megszorulása, hirtelen leállás következtében fellépő túlterhelése esetén az elektromos szerszám 2 másodpercig zúg, és önműködően lekapcsol.

Az újbill bekapsoláshoz el kell engedni a kapcsolóbillentyűt, majd ismét be kell

kapcsolni. Extrém mértékű terhelés esetén az akku erősen felforrósodhat. Ebben az esetben az akku lekapcsol. Az ismételt feltöltéshez és aktiváláshoz ekkor dugja az akkut a töltőkészülékbe.

LÍTIUM-ION AKKUK SZÁLLÍTÁSA

A lítium-ion akkut a veszélyes áruk szállítására vonatkozó törvényi rendelkezések hatálya alá tartoznak.

Az ilyen akkuk szállításának a helyi, országos és nemzetközi előírások és rendelkezések betartása mellett kell történnie.

- A foyasztók minden további nélkül szállíthatják az ilyen akkukat közúton.
- A lítium-ion akkuk szállítmányozási vállalatok általi kereskedelmi célú szállítására a veszélyes áruk szállítására vonatkozó rendelkezések érvényesek. A kiszállítás előkészítését és a szállítást kizárólag megfelelő képzéssel rendelkező személyek végezhetik. A teljes folyamatnak szakmai felügyelet alatt kell történnie.

A következő pontokat kell figyelembe venni akkuk szállításakor:

- Biztosítsa, hogy a rövidzárlatok elkerülése érdekében az érintkezők védve és szigetelve legyenek
- Ügyeljen arra, hogy az akkusomagnak ne tudjon elcsúszni a csomagolószalon belül.
- Tilos sérült vagy kifolyt akkukat szállítani.






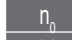




További útmutatásokért forduljon szállítmányozási vállalatához.

KARBANTARTÁS

Csak AEG tartozékokat és AEG pótalkatrészeket szabad használni. Az olyan elemeket, melyek cseréje nincs ismertetve, cseréltesse ki AEG szervizzel (lásd Garancia/Ügyfélszolgálat címei kiadványt).

Igény esetén a készülékről robbantott rajz kérhető a géptípus és a teljesítménycímként található hatjegyjű szám megadásával az Ön vevőszolgálatánál, vagy közvetlenül a Technic Industries GmbH-től a Max-Eyth-Straße 10, 71364 Winnenden, Németország címen.

SZIMBÓLUMOK

	FIGYELEM! FIGYELMEZTETÉSI VESZÉLY!
	Karbantartás, javítás, tisztítás, stb. előtt az akkumulátort ki kell venni a készülékből.
	Kérjük alaposan olvassa el a tájékoztatót mielőtt a gépet használja.
	Az elektromos eszközöket, elemeket/akkukat nem szabad a háztartási hulladékkal együtt ártalmatlanítani. Az elektromos eszközöket és akkukat szelektíven kell gyűjteni, és azokat környezetbarát ártalmatlanítás céljából hulladékhasznosító üzemben kell leadni. A helyi hatóságoknál vagy szakkereskedőjénél tájékoztódjon a hulladékudvarokról és gyűjtőhelyekről.
	Üresjáratú fordulatszám
	Volt AC
	Egyenáram
	CE-jelölés
	Ukrán nemzeti megfelelőségi jelölés
	Eurázsiai megfelelőségi jelzés.

TEHNIČNI PODATKI	BATERIJSKI UDARNI VRTALNIKI/VIJAČNIKI	BS18C2BL	BSB18C2BL
Proizvodna številka.....		4674 89 01.....	4674 98 01.....
		...000001-999999	...000001-999999
Vrtljni ø v jeklu.....		13 mm.....	13 mm
Vrtljni ø v lesu.....		40 mm.....	40 mm
Vrtljni ø v opeki in apnenem peščencu.....		13 mm.....	13 mm
lesni vijaki (brez predhodnega vrtanja).....		6 mm.....	6 mm
Število vrtljajev v prostem teku v 1. prestavi.....		0-500 min ⁻¹	0-500 min ⁻¹
Število vrtljajev v prostem teku v 2. prestavi.....		0-1950 min ⁻¹	0-1950 min ⁻¹
Število udarcev v 1. prestavi.....		- min ⁻¹	0-6500 min ⁻¹
Število udarcev v 2. prestavi.....		- min ⁻¹	0-25350 min ⁻¹
Vrtljni moment *1 (1,5 Ah / 2,0 Ah).....		60 Nm.....	60 Nm
Vrtljni moment *1 (3,0 Ah / 4,0 Ah).....		65 Nm.....	65 Nm
Napetost izmenljivega akumulatorja.....		18 V.....	18 V
Napenjalno področje vpenjalne glave.....		1,5-13 mm.....	1,5-13 mm
Teža po EPTA-proceduri 01/2003 (1,5 Ah / 2,0 Ah).....		1,7 kg.....	1,8 kg
Teža po EPTA-proceduri 01/2003 (3,0 Ah / 4,0 Ah).....		1,9 kg.....	2,0 kg
Priporočena temperatura okolice pri delu.....		-18...+50 °C.....	
Priporočene vrste akumulatorskih baterij.....		L1840R, L1830R, L1820R, L1815R.....	
Priporočeni polnilniki.....		BL1218.....	

Informacije o hrupnosti/vibracijah

Vrednosti merjenja ugotovljene ustrežno z EN 60745.

A ocenjeni nivo zvočnega tlaka znaša tipično

Nivo zvočnega tlaka (Nevarnost K=3dB(A)).....

Višina zvočnega tlaka (Nevarnost K=3dB(A)).....

Nosite zaščito za sluh!

Skupna vibracijska vrednost (Vektorska vsota treh smeri) določena ustrežno EN 60745.

Vibracijska vrednost emisij a_h

Udarno vrtnje v beton a_{h,10}.....

Nevarnost K=.....

Vrtanje v kovine l a_{h,D}.....

Nevarnost K=.....

Vijačenje a_h.....

Nevarnost K=.....

*1 Izmerjeno po AEG normi N 877318

OPOZORILO

V teh navodilih navedena raven tresljajev je bila izmerjena po EN 60745 normiranem merilnem postopku in lahko služi medsebojni primerjavi električnih orodij. Prav tako je primeren za predhodno oceno obremenitve s tresljaji.

Navedena raven tresljajev navaja najpomembnejše vrste rabe električnega orodja. Kadar se električno orodje uporablja za drugačne namene, z odstopajočimi orodji ali pa z nezadostnim vzdrževanjem, lahko raven tresljajev tudi odstopa. Le to lahko čez celoten delovni čas znatno zviša obremenitev s tresenjem.

Za natančno oceno obremenitve s tresljaji naj bi se upošteval tudi čas v katerem je naprava izklopljena ali sicer teče, vendar dejansko ni v rabi. Le to lahko obremenitev s tresljaji čez celoten delovni čas znatno zmanjša.

Za zaščito upravljalca pred učinkom tresljajev uvedite dodatne zaščitne ukrepe npr.: Vzdrževanje električnega orodja in orodja, delo s toplimi rokami, organizacija delovnih potekov.

⚠ OPOZORILO! Preberite vsa varnostna opozorila in navodila, prikaze in specifikacije tega električnega orodja. Zakasnelo upoštevanje sledečih navodil lahko povzroči električni udar, požar in/ali težke poškodbe.

⚠ VARNOSTNI NAPOTKI ZA VRTALNI STROJ

Pri udarnem vrtnju nosite gobčnik. Hrup lahko povzroči izgubo sluha.

Uporabite dodatne ročaje, ki so obdajeni skupaj z napravo. Izguba kontrole lahko povzroči poškodbe.

Pred uporabo ročaj orodja čvrsto oklenite z roko. To orodje proizvaja visok izhodni navor in če ga med delovanjem ne držite čvrsto, lahko izgubite nadzor in se poškodujete.

Kadar izvajate dela pri katerih lahko orodje zadane prikrito električno napeljavno ali lasten vodnik, je napravo potrebno držati za izolirane prijemalne površine.

Stik rezalnega orodja z napetostnim vodnikom napeljave lahko privede kovinske dele naprave pod napetost in vodi do električnega udara.

Nikoli ne uporabljajte višjo hitrostjo od največje hitrosti, ki je določena za sveder. Pri večjih hitrostih se lahko sveder upogne, ko se vrti brez stika z obdelovancem, kar lahko povzroči poškodbe.

Vedno začnite vrtati z nizko hitrostjo in medtem, ko je sveder v stiku z obdelovancem. Pri večjih hitrostih se lahko sveder upogne, ko se vrti brez stika z obdelovancem, kar lahko povzroči poškodbe.

Pritisk usmerite samo v direktni liniji s svedrom in ne pritiskajte premočno. Svedri se lahko upognejo, kar povzroči zlom ali izgubo nadzora ter osebne poškodbe.

⚠ VARNOSTNI NAPOTKI ZA VRTALNIK

Kadar izvajate dela pri katerih lahko sveder zadane v prikrito električne vode, držite napravo za izolirane prijemalne površine. Stik svedra z električnim vodnikom lahko kovinske deli naprave spravi pod napetost in vodi do električnega udara.

NADALJNA VARNOSTNA IN DELOVNA OPOZORILO

Uporabite zaščitno opremo. Pri delu s strojem vedno nosite zaščitna očala. Priporočajo se zaščitna oblačila, kot npr. maska za zaščito proti prahu, zaščitne rokavice, trdno in neдрсеče obuvanje, čelada in zaščita za sluh.

Prah, ki nastaja pri delu, je pogosto zdravju škodljiv in naj ne zaide v telo. Nosite ustrezno masko proti prahu. Obdelava materialov, iz katerih izhaja ogroženost zdravja (npr. azbest), ni dovoljena. V primeru blokade orodja nastane prahu izklopitel! Naprave ponovno ne vklaplajte dokler je orodje blokirano: pri tem bi lahko prišlo do povratnega udara z velikim reakcijskim momentom. Ugotovite in odpravite vzroke blokade orodja ob upoštevanju varnostnih navodil.

Možni razlogi so lahko:

- Zagozditve v obdelovancu
- prežganje obdelovanega materiala
- Preobremenitev električnega orodja

Ne segajte v stroj v teku.

Orodje lahko med uporabo postane vroče.

OPOZORILO! Nevarnost opeklin

- pri menjavi orodja
- pri odlaganju naprave

Trske ali iveri se pri tekočem stroju ne smejo odstranjevati.

Pri delih na steni, stropu ali v tleh pazite na električne kable, plinske in vodne napeljave.

Obdelovavec zavarujte z vpenjalno pripravo. Nezavarovani obdelovanci lahko povzročijo težke poškodbe in okvare.

Pred vsemi deli na stroji odstranite izmenljivi akumulator.

Izrabiljenih izmenljivih akumulatorjev ne mečite v ogenj ali v gospodinjске odpadke. AEG nudi okolju prijazno odlaganje starih izmenljivih akumulatorjev; prosimo povprašajte vašega strokovnega trgovca.

Izmenljivih akumulatorjev ne hranite skupaj s kovinskimi predmeti (nevarnost kratkega stika).

Izmenljive akumulatorje sistema v polnite samo s polnilnimi aparati sistema GBS. Ne polnite nobenih akumulatorjev iz drugih sistemov.

Izmenljivih akumulatorjev in polnilnih aparatov ne odpirajte in jih hranite samo v suhih prostorih. Zaščitite jih pred mokroto.

Pod ekstremno obremenitvijo ali ob ekstremni temperaturi iz poškodovanega izmenljivega akumulatorja lahko izteka akumulatorska tekočina. Po stiku z akumulatorsko tekočino prizadeto mesto takoj izperite z vodo in milom. Po stiku z očmi takoj najmanj 10 minut dolgo temeljito izpirajte in nemudoma obiščite zdravnik. ZMERAJ UPORABITI DODATEN ROČAJ, kadar se uporablja akumulator s kapaciteto 9,0 Ah ali več; vrtilni moment nekaterih električnih orodij se lahko zviša. V kolikor je bil vaš vrtilni vijahnik ali udarni vrtilni vijahnik dobavljen brez dodatnega ročaja, prosimo uporabite nadomestni del dodatnega ročaja (glej ekskolozijski risbo električnega orodja).

Ne vstavljajte nastavka, ko stroj deluje in ko gumb stikala za vklop ni zaklenjen. Vrtljivi nastavek lahko uporabnika poškoduje.

Opozorilo! V izogib, s kratkim stikom povzročene nevarnosti požara, poškodbe ali okvar na proizvodu, orodja, izmenljivega akumulatorja ali polnilne naprave ne polaplajte v tekočine in poskrbite, da ne bo prihajalo od vdora tekočin v naprave in akumulatorje. Korozivne ali prevodne tekočine, kot so slana voda, določene kemikalije in belila ali proizvodi, ki le ta vsebujejo, lahko povzročijo kratek stik.

UPORABA V SKLADU Z NAMEMBNOSTJO

Akumulatorski elektronski vrtljnik – izvijač je univerzalno uporaben za vrtnje, udarno vrtnje in vijačenje neodvisno od omrežnega priključka.

Ta naprava se sme uporabiti samo v skladu z namembnostjo uporabiti samo za navede namene.

CE-IZJAVA O KONFORMNOSTI

V lastni odgovornosti izjavljamo, da se pod "Tehnični podatki" opisan proizvod ujema z vsemi relevantnimi predpisi smernice 2011/65/EU (RoHS), 2014/30/EU, 2006/42/ES in s sledečimi harmoniziranimi normativnimi dokumenti:

EN 60745-1:2009 + A11:2010

EN 60745-2-1:2010

EN 55014-1:2017

EN 55014-2:2015

EN 50581:2012

Winnenden, 2018-02-08

Alexander Krug

Alexander Krug
Managing Director
Pooblaščen za izdelavo spisov tehnične dokumentacije.

Techtronic Industries GmbH

Max-Eyth-Straße 10

71364 Winnenden

Germany



AKUMULATORJI

Izmenljive akumulatorje, ki jih daljši čas niste uporabljali, pred uporabo naknadno napolnite.

Temperatura nad 50°C zmanjšuje zmogljivost izmenljivega akumulatorja. Izogibajte se daljšemu segrevanju zaradi sončnih žarkov ali gretja.

Pazite, da ostanejo priključni kontakti na polnilnem aparatu in izmenljivem akumulatorju čisti.

Za optimalno življenjsko dobo je akumulatorje potrebno po uporabi napolniti do konca. Za čim daljšo življenjsko dobo naj se akumulatorji po napolnitvi vzamejo ven iz naprave za polnjenje.

Pri skladenščanju akumulatorjev daj kot 30 dni: Akumulator skladiščiti pri 27°C in na suhem. Akumulator skladiščiti pri 30%-50% stanja polnjenja. Akumulator spet napolniti vsakih 6 mesecev.

ZAŠČITA PREOBTREMITVE AKUMULATORJA

V primeru preobremenitve akumulatorjev zaradi zelo visoke porabe toka, npr. ekstremno visokih vrtilnih momentov, zatika svedra, nenadne zaustavitve ali kratkega stika, električno orodje 2 sekundi brni in se samodejno izklopi.

Za ponoven vklop izpuscite tipko stikala in nato znova vklopite.

Pod ekstremnimi obremenitvami se lahko akumulator močno segreje. V tem primeru se akumulator izklopi.

Za ponovno polnitev in aktiviranje akumulatorja ga je potrebno vstaviti v polnilec.

TRANSPORT LITIJ-IONSKIH AKUMULATORJEV

Litij-ionski akumulatorji so podvrženi zakonskim določbam transporta nevarnih snovi.

Transport teh akumulatorjev se mora izvajati upoštevajoč lokalne, nacionalne in mednarodne predpise in določbe.

- Potrošniki lahko te akumulatorje še nadalje transportirajo po cesti.
- Komercialni transport litij-ionskih akumulatorjev s strani špediterskih podjetij je povdizen določbam transporta nevarnih snovi. Priprava odpreme in transporta se lahko vrši izključno s strani ustrezno izšolanih oseb. Celoten proces je potrebno strokovno spremljati.

Pri transportu akumulatorjev je potrebno upoštevati sledeče točke:

- V izogib kratkim stikom zagotovite, da bodo kontakti zaščiteni in izolirani.

- Bodite pozorni na to, da paket akumulatorja v notranjosti embalaže ne bo mogel zrdrsni.

- Poškodovanih ali iztekajočih akumulatorjev ni dovoljeno transportirati.

Za nadaljnja navodila se obrnite na vaše špeditersko podjetje.

VZDRŽEVANJE

Uporabljajte samo AEG pribor in AEG nadomestne dele. Poskrbite, da sestavne dele, katerih zamenjava ni opisana, zamenjajo v AEG servisni službi (upoštevajte brošuro Garancija/Naslovi servisnih služb).

Po potrebi je mogoče pri vašem servisnem mestu ali neposredno pri Techtronic Industries GmbH, Max-Eyth-Straße 10, 71364 Winnenden, Germany, naročiti eksplozijsko risbo naprave ob navedbi tipa stroja in na tablici navedene šestmestne številke.

SIMBOLI

	POZOR! OPOZORILO! NEVARNO!
	Pred vsemi deli na stroji odstranite izmenljivi akumulator.
	Prosimo, da pred uporabo pozorno preberete to navodilo za uporabo.
	Električnih naprav, baterij/akumulatorjev ni dovoljeno odstranjevati skupaj z gospodinjскими odpadki. Električne naprave in akumulatorje je potrebno zbirati ločeno in za okolju prijazno odstranitev, oddati podjetju za reciklažo. Pri krajevnem uradu ali vašem strokovnem prodajalcu se pozanimajte glede reciklažnih dvorišč in zbirnih mest.
n_h	Število vrtljajev v prostem teku
V	Napetost
══	Enosmerni tok
	CE-znak
	Nacionalna oznaka skladnosti Ukrajina
	EurAsian oznaka o skladnosti.

TEHNIČKI PODACI	AKUMULATORSKA UDARNA BUŠILICA	BS18C2BL	BSB18C2BL
Broj proizvodnje.....	4674 89 01.....000001-999999	4674 98 01.....000001-999999
Bušenje- α u čelik.....	13 mm.....	13 mm
Bušenje- α u drvo.....	40 mm.....	40 mm
Bušenje- α u opeku i silikatnu opeku.....	6 mm.....	13 mm
Vijci za drvo (bez predbušenja).....	0-500 min ⁻¹	0-500 min ⁻¹
Broj okretaja praznog hoda u 1. brzini.....	0-1950 min ⁻¹	0-1950 min ⁻¹
Broj okretaja praznog hoda u 2. brzini.....	- min ⁻¹	0-6500 min ⁻¹
Broj udara u 1. brzini.....	- min ⁻¹	0-25350 min ⁻¹
Broj udara u 2. brzini.....	60 Nm.....	60 Nm
Okretni moment *1 (1,5 Ah / 2,0 Ah).....	65 Nm.....	65 Nm
Okretni moment *1 (3,0 Ah / 4,0 Ah).....	18 V.....	18 V
Napon baterije za zamjenu.....	1,5-13 mm.....	1,5-13 mm
Područje stezne glave za stezanje svrdla.....	1,7 kg.....	1,8 kg
Težina po EPTA-proceduri 01/2003 (1,5 Ah / 2,0 Ah).....	1,9 kg.....	2,0 kg
Težina po EPTA-proceduri 01/2003 (3,0 Ah / 4,0 Ah).....-18...+50 °C
Preporučena temperatura okoline kod rada.....	L1840R, L1830R, L1820R, L1815R
Preporučeni tipovi akumulatora.....	BL1218
Preporučeni punjači.....

Informacije o buci/vibracijama

Mjerne vrijednosti utvrđene odgovarajuće EN 60745.

A-procjenjeni nivo pritiska zvuka aparata iznosi tipično

Nivo pritiska zvuka (Nesigurnost K=3dB(A)).....

Nivo učinka zvuka (Nesigurnost K=3dB(A)).....

Nositi zaštitu sluha!

Ukupne vrijednosti vibracije (Vektor suma tri smjera) su odmjerene odgovarajuće EN 60745

Vrijednost emisije vibracije $a_{h,v}$

Udarno bušenje u betonu $a_{h,v,D}$

Nesigurnost K=.....

Bušenje metala $a_{h,v,D}$

Nesigurnost K=.....

Vibriranje $a_{h,v,D}$

Nesigurnost K=.....

*1 Mjereno po AEG normi N 877318

UPOZORENJE

Ova u ovim uputama navedena razina titranja je bila izmjerena odgovarajuće jednom u EN 60745 normiranom mjernom postupku i može se upotrijebiti za usporedbu električnog alata međusobno. Ona je prikladna i za privremenu procjenu titranog opterećenja.

Navedena razina titranja reprezentira glavne primjene električnog alata. Ukoliko se električni alat upotrebljava u druge svrhe sa odstupajućim primijenjenim alatima ili nedovoljnim održavanjem, onda razina titranja može odstupati. To može titrajno opterećenje kroz cijeli period rada bitno povišiti.

Za točnu procjenu titrajnog opterećenja se moraju uzeti u obzir i vremena u kojima je uređaj isključen ili u kojima dođu radi, ali nije i stvarno u upotrebi. To može titrajno opterećenje bitno smanjiti za vrijeme cijelog radnog perioda.

Utvrdite dodatne sigurnosne mjere za zaštitu poslužioca protiv djelovanja titranja kao npr.: Održavanje električnih alata i upotrebljenih alata, održavanje topline ruku, organizacija i radne postupke.

! UPOZORENJE! Treba pročitati sve napomene o sigurnosti, upute, prikaze i specifikacije za ovaj električni alat. Propusti kod pridržavanja sljedećih uputa može uzrokovati strujni udar, požar i/ili teške ozljede.

! SIGURNOSNE UPUTE ZA BUŠILICE

Kod urednog bušenja nosite zaštitu za sluh. Djelovanje buke može uzrokovati gubitak sluha.

Koristite dodatne drške koje su isporučene sa aparatom. Gubitak kontrole može prouzročiti povrede.

Ovaj aparat držite prije početka rada čvrsto na za to predviđenom dršci. Ovaj aparat proizvodi jedan visoki pogonski moment i ako ga za vrijeme pogona ne držite čvrsto, mogli bi izgubiti kontrolu nad njime i povrijediti se.

Držite spravu na izoliranim dršakim površinama kada izvodite radove kod kojih rezački alat može pogoditi skrivene vodove struje ili osobni kabel.

Kontakt rezačkog alata sa vodovima koji sprovođe napon može metalne dijelove sprave dovesti pod napon i tako dovesti do električnog udara.

Nemojte nikada upotrijebiti veći broj okretaja nego što je maksimalni broj okretaja koji je naveden za umetak bušenja. Kod većih brojeva okretaja se umetak za bušenje može presaviti ako se vrti bez kontakta s izratkom, što može dovesti do povreda.

Startajte uvijek s jednim niskim brojem okretaja i dok se umetak bušenja nalazi u kontaktu s izratkom. Kod većih brojeva okretaja umetak bušenja se može presaviti ako se vrti bez kontakta s izratkom, što može dovesti do povreda.

Stvarajte pritisak uvijek samo kod direktnog usmjerenja prema umetku bušenja i nemojte pritisakati prejako. Umetci bušenja se mogu presaviti i slomiti ili dovesti do gubitka kontrole nad aparatom, čime opet može doći do povreda.

! SIGURNOSNE UPUTE ZA ZAVRTAČ

Držite spravu na izoliranim dršakim površinama kada izvodite radove kod kojih rezački alat može pogoditi skrivene vodove struje. Kontakt rezačkog alata sa vodovima koji sprovođe napon može metalne dijelove sprave dovesti pod napon i tako dovesti do električnog udara.

OSTALE SIGURNOSNE I RADNE UPUTE

Upotrebljavati zaštitnu opremu. Kod radova sa strojem uvijek nositi zaštitne naočale. Preporučuje se zaštitna odjeća, kao zaštitna maska protiv prašine, zaštitne rukavice, čvrste i protiv klizanja sigurne cipele, šljem i zaštitu sluha.

Prašina koja nastaje prilikom rada je često nezdrava i ne bi smjela dospjeti u tijelo. Nositi prikladnu zaštitnu masku protiv prašine.

Ne smiju se obrađivati nikakvi materijali, od kojih prijete opasnost po zdravlje (npr. azbest).

Kod blokiranja alata koji se upotrebljava uređaj molimo odmah isključiti! Uređaj nemojte ponovno uključiti za vrijeme dok je alat koji se upotrebljava blokiran; time može doći do povratnog udara sa visokim reakcijskim momentom. Pronađite i otklonite uzrok blokiranja alata koji se upotrebljava uz poštivanje sigurnosnih uputa. Mogući uzroci tome mogu biti:

- Izobilježavanje u izratku koji se obrađuje
- Probijanje materijala koji se obrađuje
- Preopterećenje električnog alata

Nemojte sezati u stroj koji radi.

Upotrebljeni alat se može za vrijeme korištenja zagrijati.

UPOZORENJE! Opasnost od opekotina

- kod promjene alata
- kod odlaganja uređaja

Piljevina ili iverje se za vrijeme rada stroja ne smiju odstranjivati.

Kod radova na zidu, stropu ili podu paziti na električne kablove kao i vodove plina i vode.

Osigurajte vaš izradak jednim steznim uređenjem. Neosigurani izradci mogu prouzročiti teške povrede i oštećenja.

Prije svih radova na stroju izvaditi bateriju za zamjenu.

Istrošene baterije za zamjenu ne baciti u vatra ili u kućno smeće. AEG nudi mogućnost uklanjanja starijih baterija odgovarajuće okolini. AEG nudi mogućnost uklanjanja starih baterija odgovarajuće okolini; upitajte molimo Vašeg stručnog trgovca.

Baterije za zamjenu ne čuvati skupa sa metalnim predmetima (opasnost od kratkog spoja).

Baterije sistema GBS puniti samo sa uređajem za punjenje sistema GBS. Ne puniti baterije iz drugih sistema.

Baterije za zamjenu i uređaje za punjenje ne otvarati i čuvati ih samo u suhim prostorijama. Čuvati protiv vlage.

Pod ekstremnim opterećenjem ili ekstremne temperature može iz oštećenih baterija iscuriti baterijska tekućina. Kod dodira sa baterijskom tekućinom odmah isprati sa vodom i sapunom. Kod kontakta sa očima odmah najmanje 10 minuta temeljno ispirati i odmah potražiti liječnika.

UVIJEK PRIMJENITI DODATNU RUČICU, ako se akumulator koristi s kapacitetom od 9,0 Ah ili većim; zakretni moment ponekih električnih alata se može povećati. Ukoliko je vaša aku bušilica izvijač ili udarna bušilica izvijač bio isporučen bez dodatne ručice, molimo da primijenite rezervni dio dodatne ručice (vidi eksplozivni crtež električnog alata).

Burgiju nemojte umetati, ako stroj radi i ako potisni prekidač nije blokiran. Burgija, koja se okreće, može ozlijediti korisnika.

Upozorenje! Zbog izbjegavanja opasnosti od požara jednim kratkim spojem, opasnosti od ozljeda ili oštećenja proizvoda, alat, izmjenjivi akumulator ili napravu za punjenje ne uronjavati u tekućine i pobrinite se za to, da u uređaje ili akumulator ne prodiru nikakve tekućine. Korozirajuće ili vodljive tekućine kao slana voda, određene kemikalije i sredstva za bijeljenje ili proozvodki koji sadrže sredstva bijeljenja, mogu prouzročiti kratak spoj.

PROPISNA UPOTREBA

Baterijska elektronska udarna bušilica-zavrtač su upotrebljivi univerzalno za bušenje, udarno bušenje i zavrtanje, neovisno o nekom priključku na mrežu.

Ovaj aparat se smije upotrijebiti samo u određene svrhe kao što je navedeno.

CE-IZJAVA KONFORMNOSTI

Izjavljujemo na osobnu odgovornost, da je proizvod opisan pod "Tehnički podaci", skladan sa svim relevantnim propisima smjernice 2011/65/EU (RoHS), 2014/30/EU, 2006/42/EC i sa sljedećim harmoniziranim normativnim dokumentima:

EN 60745-1:2009 + A11:2010

EN 60745-2-1:2010

EN 55014-1:2017

EN 55014-2:2015

EN 50581:2012

Winnenden, 2018-02-08



Alexander Krug
Managing Director
Ovlašten za formiranje tehničke dokumentacije.
Techtronic Industries GmbH
Max-Eyth-Straße 10
71364 Winnenden
Germany

BATERIJE

Baterije koje duže vremena nisu korištene, prije upotrebe napuniti.

Temperatura od preko 50°C smanjuje učinak baterija. Duže zagrijavanje od strane sunca ili grijanja izbjeci.

Priključne kontakte na uređaju za punjenje i baterijama držati čistima.

Za optimalni vijek trajanja se akumulatori poslije upotrebe moraju sasvim napuniti.

Za što moguće duži vijek trajanja, akumulatori se nakon punjenja moraju odstraniti iz punjača.

Kod skladištenja akumulatora duže od 30 dana:

Akumulator skladištiti na suhom kod ca. 27°C.
Akumulator skladištiti kod ca. 30%-50% stanja punjenja.
Akumulator ponovno napuniti svakih 6 mjeseci.

ZAŠTITA OD PREOPTEREĆENJA AKUMULATORA

Kod preopterećenja akumulatora kroz visoku potrošnju struje, npr. ekstremno visoki okretni momenti, zaglavljivanje svrdla, naglo zaustavljanje ili kratki spoj, elektroalot bruj 2 sekunde dugo i isključuje se samostalno.

Za ponovno uključivanje ispuštiti otonac prekidača i zatim ponovno uključiti.

Pod ekstremnim opterećenjima se akumulator može jako zagrijati. U ovom slučaju se

akumulator isključuje.

Akumulator zatim utaknuti u punjač kako bi se ovaj ponovno napunio i zatim aktivirao.

TRANSPORT LITIJSKIH IONSKIH BATERIJA

Litijske-ionske baterije spadaju pod zakonske odredbe u svezi transporta opasne robe.

Prijevoz ovih baterija mora uslijediti uz poštivanje lokalnih, nacionalnih i internacionalnih propisa i odredaba.

- Korisnici mogu bez ustručavanja ove baterije transportirati po cestama.
- Komerčijalni transport litijsko-ionskih baterija od strane transportnih poduzeća spada pod odredbe o transportu opasne robe. Otpremničke pripreve i transport smiju izvoditi isključivo odgovarajuće školovane osobe. Kompletni proces se mora pratiti na stručan način.

Kod transporta baterija se moraju poštivati sljedeće točke:

- Uvjertite se da su kontakti zaštićeni i izolirani kako bi se izbjegli kratki spojevi.
- Pazite na to, da blok baterija unutar pakiranja ne može proklizavati.
- Oštećene ili iscrupjele baterije se ne smiju transportirati.

U svezi ostalih uputa obratite se vašem prijevoznom poduzeću.

ODRŽAVANJE

Primijeniti samo AEG opremu i AEG rezervne dijelove. Sastavne dijelove, čija zamjena nije opisana, dati zamijeniti kod jedne od AEG servisnih službi (poštivati brošuru Garancija/Adrese servisa).

Po potrebi se crtež pojedinih dijelova aparata uz navođenje podatka o tipu stroja i šestznamenastog broja na pločici snage može zatražiti kod vašeg servisa ili direktno kod Techtronic Industries GmbH, Max-Eyth-Straße 10, 71364 Winnenden, Njemačka.

SIMBOLI



PAŽNJA! UPOZORENJE! OPASNOST!



Prije svih radova na stroju izvaditi bateriju za zamjenu.



Molimo da pažljivo pročitate uputu o upotrebi prije puštanja u rad.



Elektroređaji , baterije/akumulatori se ne smiju zbrinjavati skupa sa kućnim smećem.
Električni uređaji i akumulatori se moraju skupljati odvojeno i predati na zbrinjavanje primjereno okolišu jednom od pogona za iskorišćavanje.
Respajte se kod mjernih vlasti ili kod stručnog trgovca u svezi gospodarstva za recikliranje i mjesta skupljanja.



Broj okretaja praznog hoda



Napon



Istosmjerna struja



Oznaka-CE



Nacionalni znak konformnosti Ukrajina

EurAsian znak konformnosti.

TEHNISKE DATI	AKUMULATORA SITAMAIS URBIS	BS18C2BL	BSB18C2BL
Izlaides numurs		4674 89 01... ..000001-999999	4674 98 01... ..000001-999999
Urbsanas diametrs tēraudā		13 mm	13 mm
Urbsanas diametrs kokā		40 mm	40 mm
Urbsanas diametrs kriegelos un kalksmilšakmenī.....		6 mm	13 mm
Koka skrūves (bez iepriekšējās urbsanas).....		6 mm	6 mm
Agriezieni tukšgaitā 1. ātrumā.....		0-500 min ⁻¹	0-500 min ⁻¹
Agriezieni tukšgaitā 2. ātrumā.....		0-1950 min ⁻¹	0-1950 min ⁻¹
Sitienu biežums 1. ātrumā.....		- min ⁻¹	0-6500 min ⁻¹
Sitienu biežums 2. ātrumā.....		- min ⁻¹	0-25350 min ⁻¹
Griezes moments *1 (1,5 Ah / 2,0 Ah).....		60 Nm	60 Nm
Griezes moments *1 (3,0 Ah / 4,0 Ah).....		65 Nm	65 Nm
Akumulatora spriegums		18 V	18 V
Urba stiprinājuma amplitūda		1,5-13 mm	1,5-13 mm
Svars atbilstoši EPTA -Procedure 01/2003 (1,5 Ah / 2,0 Ah).....		1,7 kg	1,8 kg
Svars atbilstoši EPTA -Procedure 01/2003 (3,0 Ah / 4,0 Ah).....		1,9 kg	2,0 kg
Leiteicamā vides temperatūra darba laikā.....	-18...+50 °C	
Leiteicamie akumulatoru tipi.....		L1840R, L1830R, L1820R, L1815R	
Leiteicamās uzlādes ierīces		BL1218	

Trokšņu un vibrāciju informācija

Vērtības, kas noteiktas saskaņā ar EN 60745.	
Instrumenta tipiskais pēc A vērtētais trokšņa spiediena līmenis parasti sastāda	
Trokšņa spiediena līmenis (Nedrošība K=3dB(A))	
Trokšņa jaudas līmenis (Nedrošība K=3dB(A))	

Nēsāt trokšņa slāpētāju!

Svārstību kopējā vērtība (Trīs virzienu vektoru summa) tiek noteikta atbilstoši EN 60745.	
svārstību emisijas vērtība a _n	
Betona elektriskais urbis a _{n,D}	9 m/s ²
Nedrošība K=.....	1,5 m/s ²
Metāla urbis I a _{n,D}	< 2,5 m/s ²
Nedrošība K=.....	< 2,5 m/s ²
Skrūvēšana a _n	< 2,5 m/s ²
Nedrošība K=.....	< 2,5 m/s ²
*1 Mērīts saskaņā ar firmas AEG normu N 877318	

UZMANĪBU

Instrukcijā norādītā svārstību robežvērtība ir izmērīta mērījumu procesā, kas veikts atbilstoši standartam EN 60745, un to var izmantot elektroinstrumentu savstarpējai salīdzināšanai. Tā ir piemērota arī svārstību noslogojuma pagaidu izvērtēšanai. Norādītā svārstību robežvērtība ir reprezentatīva elektroinstrumenta pamata pielietojuma jomām, tomēr, ja elektroinstruments tiek pielietots citās jomās, papildus izmantojot neatbilstošus elektroinstrumentus vai pēc nepietiekamas tehniskās apkopes, tad svārstību robežvērtība var atšķīties. Tas var ievērojami palielināt svārstību noslogojumu visa darba laikā. Precīzai svārstību noslogojuma noteikšanai, ir jāņem vērā arī laiks, kad ierīces ir izslēgta vai arī ir ieslēgta, tomēr faktiski netiek lietota. Tas var ievērojami samazināt svārstību noslogojumu visa darba laikā. Ieteģrojiet papildus drošības pasākumus pret svārstību ietekmi lietotājam, piemēram: elektroinstrumentu un darba instrumentu tehniskā apkope, roku siltuma uzturēšana, darba procesu organizācija.

BRĪDĪNĀJUMS Izlasiet visus šim elektroinstrumentam pievienotos drošības brīdinājumus, instrukcijas, ilustrācijas un specifikācijas. Nespēja ievērot visas zemāk uzskaitītās instrukcijas var novest pie elektrošoka, ugunsgrēka un/vai smagiem savainojumiem.

DROŠĪBAS NOSACĪJUMI LIETOJOT URBJAŠINĀS

Lietojot dzirdes aizsargu, izmantojot āmururbī. Trokšņa iedarbība var izraisīt dzirdes zudumu.

Lietojiet instrumentam pievienotos papildus rokrūtus. Zaudējot kontroli, var būt ivalnoījums.

Pirms darbu sāksanas droši novietojiet ierīci šim nolūkam paredzētajā rokturī. Šī ierīce rada augstu griezes momentu, un ja lietošanas laikā tā nav pareizi nostiprināta, iespējams zaudēt kontroli pār to.

Ierīci turiet aiz izolētām rokriemēm, ja veicat darbus, kuros griešanas darbiem izmantojamais instruments var skart pieslēptus elektro vadus vai pats savu kabeli.

Šī instrumenta saskare ar strāvu vadošiem kabeliem var radīt spriegumu arī ierīces neatbilstīgās daļās un var izraisīt elektrisko triecienu.

Nekad neizmantojiet augstāku apgriezienu skaitu par maksimālo, kas norādīts konkrētajam urbim. Ja apgriezienu skaits ir lielāks, urbis var saliekties, ja griežas bez sākeres ar sāgatavi, kā rezultātā var rasties savainojumi.

Urbšanu vienmēr sāciet ar zemāku apgriezienu skaitu un vienmēr tikai tad, kad urbis jau ir saskāries ar sāgatavi. Ja apgriezienu skaits ir lielāks, urbis var saliekties, ja griežas bez sākeres ar sāgatavi, kā rezultātā var rasties savainojumi.

Izdariet spiedienu tikai tieši līnijā ar urbi un nespiediet pārāk stipri. Urbis var saliekties un salūzt vai radīt kontroles zudumu pār ierīci, kā rezultātā pastāv savainojumu rašanās risks.

DROŠĪBAS NOSACĪJUMI LIETOJOT SKRŪVGRĪEZŪS

Turiet ierīci aiz izolētajām turēšanas virsmām, veicot darbus, kur skrūve var skart apslēptus elektrības vadus. Skrūves kontakts ar spriegumu vadošu vadu var ierīces metāla daļās uzlādēt un novest pie elektriskās strāvas trieciena.

CĪTAS DROŠĪBAS UN DARBA INSTRUKCIJAS

Jāizmanto aizsargapriekojums. Strādājot ar mašīnu, vienmēr jānēsā aizsargbrilles. Ieteicams nēsāt aizsargapģērbu, kā piemēram, aizsargmasku, aizsargcimdus, kurpes no stingra un neslīdīga materiāla, ķiveri un ausu aizsargus.

Puteklī, kas rodas darba gaitā, bieži ir kaitīgi veselībai un tiem nevajadzētu nokļūt organismā. Jānēsā piemērota maska, kas pasargā no putekļiem.

Nedrīkst apstrādāt materiālus, kas rada draudus veselībai (piemēram, azbestu). Ja izmantojamais darba rīks tiek bloķēts, nekavējoties izslēgt ierīci! Neieslēdziet ierīci, kamēr izmantojamais darba rīks ir bloķēts; var rasties atsiens ar augstu griezes momentu. Noskaidrojiet un novērsiet izmantojamā darba rīka bloķēšanas iemeslu, ievērojot visas drošības norādes.

Iespējamie iemesli:

- iesprūdis apstrādājamajā materiālā
- apstrādājamais materiāls ir caursits
- elektroinstruments ir pārslogots

Leslēgtai ierīcei nepieskarties. Izmantojamais darba rīks darba gaitā var stipri sakarst.

UZMANĪBU! Bīstamība apdedzināties

- veicot darba rīka nomaiņu
- noliekot iekārtu

Skaīdas un atlūzas nedrīkst ņemt ārā, kamēr mašina darbojas. Veicot darbus sienu, griestu un grīdas apvidū, vajag uzmanīties, lai nesabojātu elektriskos, gāzes un ūdens vadus.

Fiksējat apstrādājamo materiālu ar fiksācijas aprīkojumu. Nenostiprināti materiāli var izraisīt smagus savainojumus un bojājumus.

Pirms mašīnai veikt jebkāda veida apkopes darbus, ir jāizņem arī akumulators. Izmantotos akumulārus nedrīkst mest uguni vai parastajos atkritumos. Firma AEG piedāvā iespēju veicos akumulatorus savākt apkārtnē viņi saudzējošā veidā; jautājiet specializētā veikalā.

Akumulatorus nav ieteicams glabāt kopā ar metāla priekšmetiem (iespējams īsslēgums).

GBS sistēmas akumulatorus lādēt tikai ar GBS sistēmas lādētājiem. Nedrīkst lādēt citus akumulatorus no citām sistēmām.

Akumulatorus un lādētājus nedrīkst tāsīt vajā un tie jāuzglabā sausās telpās. Pie ārkārtas slodzes un ārkārtas temperatūrām no bojātā akumulatora var iztecēt akumulatora šķidrumus. Ja nonākt saskarsmē ar akumulatora šķidrumu, saskarsmes vieta nekavējoties jānomazgā ar ūdeni un ziepēm. Ja šķidrumus nonācis acīs, acis vismaz 10 min. skalot un nekavējoties konsultēties ar ārstu.

Izmantojot akumulatoru, kura jauda ir 9,0 Ah vai augstāka, VIENMĒR IZMANTOJIET PAPILDU ROKTURĀ; atsevišķu elektroinstruments griezes moments var palielināties. Ja jūsu urbjmašīna vai triecienuurbjmašīna tiek piegādāta bez papildu rokrūta, lūdzu, izmantojiet papildu rokrūta rezerves daļas (skatiet elektroinstrumenta eksplozijas norādes).

Neievietojiet uzgali, ja iekārta darbojas un slēdzis nav nobloķēts. Rotējošais uzgals var savainot lietotāju.

Brīdinājumi! Lai novērstu īssavienojuma izraisītu aizdegšanās, savainojumu vai produkta bojājuma risku, neiegremdējiet instrumentu, maināmo akumulatoru vai uzlādes ierīci šķidrumos un rūpējietes par to, lai ierīcēs un akumulatoros neiekļūtu šķidrumus. Koroziju izraisīši vai vadītspējīgi spriegumi, piemēram, sālsūdens, noteiktas ķīmikālijas, balinātāji vai produkti, kas satur balinātājus, var izraisīt īssavienojumu.

NOTEIKUMIEM ATBILSTOŠS IZMANTOJUMS

Elektroniskā triecienuurbjmašīna ar akumulatoriem ir universāli izmantojama urbsanai, urbsanai ar perforāciju un skrūvēšanai neatkarīgi no tīkla pieslēguma. Šo instrumentu drīkst izmantot tikai saskaņā ar minētajiem lietošanas noteikumiem.

ATBILSTĪBA CE NORMĀM

Mēs apliecinām, ka produkts, kura tehniskie parametri aprakstīti "tehnisko datu lapā", pilnībā atbilst prasībām saskaņā ar direktīvām 2011/65/EU (RoHS), 2014/30/ES, 2006/42/EK un attiecīgajiem harmonizētajiem normatīvajiem dokumentiem:

EN 60745-1:2009 + A11:2010
EN 60745-2-1:2010
EN 55014-1:2017
EN 55014-2:2015
EN 50581:2012
Winnenden, 2018-02-08


Alexander Krug
Managing Director
Pilnvarotais tehniskās dokumentācijas sastādītājs.
Techtronc Industries GmbH
Max-Eyth-Straße 10
71364 Winnenden
Germany



AKUMULĀTORI

Akumulātori, kas ilgāku laiku nav izmantoti, pirms lietošanas jāuzlādē. Pie temperatūras, kas pārsniedz 50°C, akumulatoru darbspēja tiek negatīvi ietekmēta. Vajag izvairīties no ilgākas saules un karstuma iedarbības.

Lādētāja un akumulatoru pievienojuma kontakti jāuztur tīri.

Lai baterijām būtu optimāls mūžs, pēc lietošanas bateriju bloks pilnībā jāuzlādē.

Lai akumulatori kalpotu pēc iespējas ilgāku laiku, tos pēc uzlādes ieteicams atvienot no lādētāj ierīces.

Akumulatora uzglabāšana ilgāk kā 30 dienas: uzglabāt akumulatoru pie aptuveni 27°C un sausā vietā. Uzglabāt akumulatoru uzlādes stāvoklī aptuveni pie 30%-50%. Uzlādēt akumulatoru visus 6 mēnešus no jauna.

AKUMULATORA AIZSARDZĪBA PRET PĀRSLOGOJUMU

Akumulatoru pārslogojuma gadījumos, esot ļoti lielm elektroenerģijas patērinājum, piem., ārkārtīgi augsts griezes moments, urbja iekēršanās, pēkšņa apstāšanās vai īssavienojums, elektriskais darbarīks 2 sekundes rūc, un pats izslēdzas. Lai to atkal ieslēgtu, atlaidiet ieslēgšanas pogu un tad to ieslēdziet no jauna. Esot ārkārtīgi augstam noslogojumam, akumulators var spēcīgi sakarst. Šādā gadījumā akumulators atslēdzas. Akumulatoru var ievietot lādētājā, lai to atkal uzlādētu un aktivizētu.

LIŅĪJA JONU AKUMULATORU TRANSPORTĒŠANA

Uz liŅija jonu akumulatoriem attiecas noteikumi par bīstamo kravu pārvadāšanu. Šo akumulatoru transportēšana jāveic saskaņā ar vietējiem, valsts un starptautiskajiem normatīvajiem aktiem un noteikumiem.

- Patērētāja darbības, pārvađājot šos akumulatorus pa autoceļiem, nav reglamentētas.
- Uz liŅija jonu akumulatoru komerciālu transportēšanu, ko veic ekspedīcijas uzņēmums, attiecas bīstamo kravu pārvadāšanas noteikumi. Sagatavosanas darbus un transportēšanu drīkst veikt tikai atbilstoši apmācīts personāls. Viss process jāvadā profesionāli.

Veicot akumulatoru transportēšanu, jāievēro:









- Pārliecinietes, ka kontakti ir aizsargāti un izolēti, lai izvairītos no īssavienojumiem.
- Pārliecinietes, ka akumulators iepakojumā nevar paslīdēt.
- Bojātus vai ietkošus akumulatorus nedrīkst transportēt.

Plašāku informāciju Jūs varat saņemt no ekspedīcijas uzņēmuma.

APKOPĒ

Izmantojiet tikai firmu AEG piederumus u firmas AEG rezerves daļas. Lieciet nomainīt daļas, kuru numains nav aprakstīta, kāda no firmu AEG klientu apkalpošanas servisiem (Skat. brošūru "Garantija/klientu apkalpošanas serviss"). Pēc pieprasījuma, Jūsu Klientu apkalpošanas centrā vai pie Techtronc Industries GmbH, Max-Eyth-Straße 10, 71364 Winnenden, Vācijā, ir iespējams saņemt iekārtas montāžas rasējumu, iepriekš norādot iekārtas modeli un sērijas numuru, kas atrodas uz datu plāksnītes un sastāv no sešiem simboliem.

SIMBOLI

	UZMANĪBU! BĪSTAMI!
	Pirms mašīnai veikt jebkāda veida apkopes darbus, ir jāizņem arī akumulators.
	Pirms sākt lietot instrumentu, lūdzu, izlasiet lietošanas pamācību.
	Elektriskos aparātus, baterijas/akumulatorus nedrīkst utilizēt kopā ar mājsaimniecības atkritumiem. Elektriski aparāti un akumulatori ir jāsavāc atsevišķi un jānodod atkritumu pārstrādes uzņēmumā videi saudzīgai utilizācijai. Jautājiet vietējā iestādē vai savam specializētajam tirgotājam, kur atrodas atkritumu pārstrādes uzņēmumi vai savākšanas punkti.
n_h	Tukšgaitas apgriezienu skaits
v	Spriegums
	Līdzstrāva
	CE marķējums
	Ukrainas nacionālais atbilstības simbols.
TR 066	
	EurAsian atbilstības marķējums.

TECHNINIAI DUOMENYS SMŪGINIS ATSUKTUVAS / GRAŽTAS SU AKUMULIATORIUMI	BS18C2BL	BSB18C2BL
Produkto numeris	4674 89 01... ...000001-999999	4674 98 01... ...000001-999999
Gręžimo ø pliene	13 mm	13 mm
Gręžimo ø medienoje	40 mm	40 mm
Gręžimo ø galvutė degtose ir silikatinėse plytose	13 mm	13 mm
Medvaržčiai (be išankstinio gręžimo)	6 mm	6 mm
Sūkių skaičius laisva eiga 1. pavara	0-500 min ⁻¹	0-500 min ⁻¹
Sūkių skaičius laisva eiga 2. pavara	0-1950 min ⁻¹	0-1950 min ⁻¹
Smūgių skaičius 1. pavara	- min ⁻¹	0-6500 min ⁻¹
Smūgių skaičius 2. pavara	- min ⁻¹	0-25350 min ⁻¹
Sukimo momentas *1 (1,5 Ah / 2,0 Ah)	60 Nm	60 Nm
Sukimo momentas *1 (3,0 Ah / 4,0 Ah)	65 Nm	65 Nm
Keičiamo akumulatoriaus įtampa	18 V	18 V
Grąžo patrono veržimo diapazonas	1,5-13 mm	1,5-13 mm
Prietaiso svoris įvertintas pagal EPTA 2003/01 tyrimų metodiką (1,5 Ah / 2,0 Ah) ..	1,7 kg	1,8 kg
Prietaiso svoris įvertintas pagal EPTA 2003/01 tyrimų metodiką (3,0 Ah / 4,0 Ah) ..	1,9 kg	2,0 kg
Leitecamą vides temperatūra darba laiką	-18...+50 °C	
Leitecamie akumulatorių tipai	L1840R, L1830R, L1820R, L1815R	
Leitecamas užlaidės rėteris	BL1218	

Informacija apie triukšmą/vibraciją

Vertės matuotos pagal EN 60745.

Prietaisui būdingas garso slėgio lygis, koreguotas pagal A dažnio charakteristiką, Garso slėgio lygis (Paklaida K=3dB(A))	87,5 dB (A)	87,5 dB (A)
Garso galios lygis (Paklaida K=3dB(A))	98,5 dB (A)	98,5 dB (A)

Nešioti klausos apsaugines priemones!

Bandroji svyravimų reikšmė (trių krypčių vektorių suma), nustatyta remiantis EN 60745.

Vibravimų emisijos reikšmė a _n		
Betono perforavimas a _{h,d}	9 m/s ²
Paklaida K=.....	1,5 m/s ²
Metalo gręžimas l a _{h,d}	< 2,5 m/s ²	< 2,5 m/s ²
Paklaida K=.....	1,5 m/s ²	1,5 m/s ²
Prisukimas varžtais a _n	< 2,5 m/s ²	< 2,5 m/s ²
Paklaida K=.....	1,5 m/s ²	1,5 m/s ²

*1 Matuojant pagal „AEG“ normą N 877318

DĖMESIO

Instrukcijoje nurodyta svyravimų ribinė vertė yra išmatuota remiantis standartu EN 60745; ji gali būti naudojama keliems elektriniams instrumentams palyginti. Ji taikoma ir laikinai įvertinti svyravimų apkrova.

Nurodyta svyravimų ribinė vertė yra taikoma pagrindinėse elektrinio instrumento naudojimo srityse. Svyravimų ribinė vertė gali skirtis naudojant elektrinį instrumentą kitose srityse, papildomai naudojant netinkamus elektrinius instrumentus arba juos nepakankamai techniškai prižiūrinti. Dėl to viso darbo metu gali žymiai padidėti svyravimų apkrova.

Siekiant tiksliai nustatyti svyravimų apkrovą, būtina atsivėlginti ir į laikotarpį, kai įrenginys yra išjungtas arba įjungtas, tačiau faktiškai nenaudojamas. Dėl to viso darbo metu gali žymiai sumažėti svyravimų apkrova.

Siekiant apsaugoti vartotojus nuo svyravimo įtakos naudojamos papildomos saugos priemonės, pavyzdžiui, elektrinių darbo instrumentų techninė priežiūra, rankų šilumos palaikymas, darbo procesų organizavimas.

⚠ WARNING Perskaitykite visus saugumo įspėjimus, instrukcijas, peržiūrėkite iliustracijas ir specifikacijas, pateiktas kartu su šiuo įrankiu. Jei nepasysite visų toliau pateiktų instrukcijų, gali trenkti elektros smūgis, kilti gaisras ir/arba galite sunkiai susižaloti arba sužaloti kitus asmenis.

⚠ GRAŽTAMS SKIRTI SAUGUMO NURODYMAI

Dirbami su smūginiu grąžtu, visuomet naudokite apsaugines ausų priemones. Dėl didelio triukšmo poveikio gali būti pažeidžiama klausa.

Naudokite į prietaiso komplekciją įeinančius papildomas rankenas.

Nesuvaldžius prietaiso galima susižeisti.

Prieš pradėdami dirbti tvirtai suimkite prietaisą už tam skirtos rankenos. Šis prietaisas veikia labai dideliu išėjimo sukimo momentu ir jei dirbami prietaiso nelaikysite tvirtai, Jums nepavyks jo sulaikyti, todėl kyla pavojus susižaloti.

Dirbami laikykite prietaisą už izoliuotų vietų, kuriose pjovimo įrenginys pats galėtų liesti paslėptus laidus arba savo paties laidą.

Pjovimo įrenginio kontaktas su įtamos laidais gali įelektrinti metalines prietaiso dalis, o tai gali sukelti elektros iškvapą.

Niekada nenustatykite didesnio nei didžiausio galimo sūkių skaičiaus, kuris yra nurodytas ant įstatomojo grąžo. Didesniu sūkių skaičiumi veikiantis įstatomasis grąžtas gali sulinkti, kai sukdamasis neličia ruošinio, todėl kyla pavojus susižaloti.

Nedidelį sūkių skaičių nustatykite pradžioje ir tuomet, kai įstatomasis grąžtas liečiasi prie ruošinio. Didesniu sūkių skaičiumi veikiantis įstatomasis grąžtas gali sulinkti, kai sukdamasis neličia ruošinio, todėl kyla pavojus susižaloti.

Visada spauskite tik tiesiogiai įstatomojo grąžo kryptimi ir niekada nespauskite per stipriai. Įstatomieji grąžtai gali sulinkti ir nulūžti arba galite nesuvaldyti prietaiso ir taip pat susižaloti.

⚠ SUKTUVAMS SKIRTI SAUGUMO NURODYMAI

Prietaisą laikykite ant izoliuoto guminio paviršiaus, jei atliekate darbus, kurių metu sraigtas gali pasiekti sulenktas srovės tekimo linijas. Sraigtui prisilietus prie įtampą tiekiančių linijų gali įsikratyti prietaiso dalys ir įvykti elektros smūgis.

⚠ KITI SAUGUMO IR DARBO NURODYMAI

Dėvėkite apsaugines priemones. Dirbami su mašina visada užsidėkite apsauginius akinius. Rekomenduotina dėvėti apsaugines priemones: apsaugos nuo dulkių respiratorius, apsaugines pirštines, kietus batus neslidžiais padais, šalną ir klausos apsaugos priemones.

Darbo metu susidaranti dulkės yra dažnai kenksmingos sveikatai ir todėl turėtų nepatekti į organizmą. Dėvėti tinkamą apsauginę kaukę nuo dulkių.

Negalima apdirbti medžiagų, dėl kurių gali būti sveikatos pavojai (pvz., asbesto).

Blokuojant įstatomąjį įrankį būtina išjungti prietaisą! Neįjunkite prietaiso, kol įstatomasis įrankis yra užblokuotas; galimas grįžtamasis smūgis su dideliu sukimo momentu. Atsivėlgdami į saugumo nurodymus, nustatykite ir pašalinkite įstatomojo įrankio blokavimo priežastį.

Galimos priežastys:

- Susidaręs apdirbimo ruošinio briaunos
- Apdirbamos medžiagos pratrūkimai
- Elektros įrankio perkrova

Nekiškite rankų į veikiančią mašiną.

Naudojamas įstatomasis įrankis gali įkaišti.

DĖMESIO! Pavojus nusidėginti

- keičiant įrankį
- padedant prietaisą

Draudžiama išiminėti drožles ar nuopjovas, įrenginiui veikiant.

Dirbami sienoje, lubose arba grindyse, atkreipkite dėmesį į elektros laidus, dujų ir vandens vamzdžius.

Ruošinį užfiksuokite įtempimo įrenginiu. Neužfiksuoti ruošiniai gali sunkiai sužaloti ir būti pažeidimų priežastimi.

Prieš atlikdami bet kokius darbus įrenginyje, išimkite keičiamą akumuliatorių.

Sunaudotų keičiamų akumuliatorių nedėginkite ir nemeskite į buitines atliekas. „AEG“ siūlo tausančią aplinką sudėvėtų keičiamų akumuliatorių tvarkymą, apie tai prekybos atstovo.

Keičiamų akumuliatorių nelaikykite kartu su metaliniais daiktais (trumpojo jungimo pavojus).

Keičiamus GBS sistemos akumuliatorius kraukite tik „GBS“ sistemos įkrovikliais.

Nekraukite kitų sistemų akumuliatorių.

Keičiamų akumuliatorių ir įkroviklių nelaikykite atvirai. Laikykite tik sausoje vietoje.

Saugokite nuo drėgmės.

Ekstremalių apkrovų arba ekstremalios temperatūros poveikyje iš keičiamų akumuliatorių gali išstėbti akumulioriaus skystis. Išstėpus akumulioriaus skystis, tuoj pat nuplaukite vandeniu su muilu. Patekus į akis, tuoj pat ne trumpiau kaip 10 minučių gausiai skalaukite vandeniu ir tuoj pat kreipkitės į gydytoją.

Naudojant 9,0 Ah ar galingesnę akumuliatorių, VISADA NAUDOKITE PAPILDOMĄ RANKENĄ; kai kurių elektrinių įrankių sukimo momentas gali padidėti. Jei akumuliorinis suktuvas ar smūginis suktuvas tiekiamas be papildomos rankenos, naudokite papildomos rankenos atsarginę detalę (žr. elektrinio įrankio išskaidyto vaizdo schema).

Jeigu prietaisas veikia, o paleidimo jungiklis neužfiksuotas, antgalio įstatyti negalima. Besisukantis antgalis gali sužaloti naudotoją.

Įspėjimas! Siekdami išvengti trumpojo jungimo sukeliama gaisro pavojaus, sužalojimų arba produkto pažeidimų, neikiškite įrankio, keičiamo akumulioriaus arba įkroviklio į skystųjų ir pasirūpinkite, kad į prietaisus arba akumuliorius nepatektų jokių skystųjų. Korozija sukeltantys arba laidūs skystiniai, pvz., sūrus vanduo, tam tikri chemikalai ir balikliai arba produktai, kurių sudėtyje yra baliklių, gali sukelti trumpąjį jungimą.

NAUDOJIMAS PAGAL PASKIRTĮ

Akumuliatorinį smūginį suktuvą-gręžtuvą galima universaliai naudoti gręžimui,

smūginiam gręžimui ir sukimui nepriklausomai nuo elektros tinklo.

Šį prietaisą leidžiama naudoti tik pagal nurodytą paskirtį.

CE ATITIKTIES PAREIŠKIMAS

Remiantis bendrais atsakomybės reikalavimais pareiškiam, jog skyriuje "Techniniai duomenys" aprašytas produktas atitinka visus toliau pateiktų juridinių direktyvų reikalavimus: 2011/65/EU (RoHS), 2014/30/ES, 2006/42/EB ir kitus su jomis susijusiu nominaliu dokumentu:

EN 60745-1:2009 + A11:2010

EN 60745-2:1-2010

EN 55014-1:2017

EN 55014-2:2015

EN 50581:2012

Winnenden, 2018-02-08



Alexander Krug

Managing Director

Įgaliotas parengti techninius dokumentus.

Technonic Industries GmbH

Max-Eyth-Straße 10

71364 Winnenden

Germany

AKUMULIATORIAI

Ilgesnį laiką nenaudotus keičiamus akumuliorius prieš naudojimą įkraukite.

Aukštesnė nei 50°C temperatūra mažina keičiamų akumuliorių galia. Venkite ilgesnio saulės ar šilumos šaltinių poveikio.

Įkroviklio ir keičiamo akumulioriaus jungiamieji kontaktai visada turi būti švarūs.

Pasinaudoję prietaisu, visiškai įkraukite akumuliorių, kad prietaisas veiktų optimaliai ilgai.

Siekiant užtikrinti kuo ilgesnį baterijos tarnavimo laiką, reikėtų ją po atlikto įkrovimo iškart išimti iš įkroviklio.

Bateriją laikant ilgiau nei 30 dienų, būtina atkreipti dėmesį į šias nuorodas: bateriją laikyti sausoje aplinkoje, esant apie 27 °C temperatūrai. Baterijos įkrovimo lygis turi būti nuo 30% iki 50%. Baterija pakartotinai turi būti įkraunama kas 6 mėnesius.

APSAUGA NUO AKUMULIORIAUS PERKROVOS

Perkrovos akumuliorių dėl itin didelės vartojamos srovės, pvz.: labai didelių apskujų, staigaus stabdymo, trumpo sujungimo ar užsikirtus grąžtui, elektrinis įrankis veikia dar 2 sekundes ir išsijungia automatiškai.

Norint iš naujo įjungti įrankį, reikia atleisti mygtuką ir jį dar kartą įjungti.

Dėl ekstremalių apkrovų akumuliorius gali labai stipriai įkaišti. Tokiu atveju jis

išsijungia.

Tada akumuliorių reikia įkilti į kroviklį, kad jis įsikratytų ir veiktų.

LIČIO JONŲ AKUMULIORIŲ PERVEŽIMAS

Ličio jonų akumulioriams taikomos įstatyminės nuostatos dėl pavojingų krovinių pervežimui.

Šiuos akumuliorius pervežti būtina laikantis vietinių, nacionalinių ir tarptautinių direktyvų ir nuostatų.

- Naudojami šiuos akumuliorius gali naudoti savo transporte be jokių kitų sąlygų.
- Už komercinį ličio jonų akumuliorių pervežimą atsako ekspedicijos įmonė pagal nuostatas dėl pavojingų krovinių pervežimo. Pasiruošimo išsiųsti ir pervežimo darbus gali atlikti tik atitinkamai išmokyti asmenys. Visas procesas privalo būti prižiūrimas.

Pervežant akumuliorius būtina laikytis šių punktų:

- Siekiant išvengti trumpųjų jungimų, įsitikinkite, kad kontaktai yra apsaugoti ir izoliuoti.
- Atkreipkite dėmesį, kad akumuliorius pakuočius viduje neslidinėtų.
- Draudžiama pervežti pažeistus arba tekančius akumuliorius.





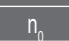




Dėl detalesnių nurodymų kreipkitės į savo ekspedicijos įmonę.

TECHNINIS APARNAVIMAS

Naudokite tik „AEG“ priedus ir „AEG“ atsargines dalis. Dalis, kurių keitimas neparašytas, leidžiama keisti tik „AEG“ klientų aptarnavimo skyriams (žr. garantiją/ klientų aptarnavimo skyrų adresus brošiūroje).

Esant poreikiui, nurodžius našinos modelį ir šešiaženklį numerį, esantį ant specifikacijų lentelės, klientų aptarnavimo centre arba tiesiogiai „Technonic Industries GmbH“, Max-Eyth-Str. 10, 71364 Winnenden, Vokietija, galite užsakyti išplėstinį prietaiso brėžinį.

SIMBOLIAI

	DĖMESIO! ĮSPĖJIMAS! PAVOJUS!
	Prieš atlikdami bet kokius darbus įrenginyje, išimkite keičiamą akumuliorių.
	Prieš pradėdami dirbti su prietaisu, atidžiai perskaitykite jo naudojimo instrukciją.
	Elektros prietaisui, baterijų/akumuliorių šalinti kartu su buitinėmis atliekomis negalima. Elektros prietaisus ir akumuliorius reikia surinkti atskirai ir atiduoti perdavimo įmonei, kad būtų pašalinti aplinkai saugiu būdu. Vietos valdžios institucijose arba specializuotose prekybos vietose pasidomėkite apie perdavimo ir surinkimo centrus.
n	Sūkių skaičius laisva eiga
V	Įtampa
	Nuolatinė srovė
	CE ženklas
	Nacionalinė atitikties žyma Ukrainoje
	„EurAsian“ atitikties ženklas.
	

TEHNILISED ANDMED	JUHMETA LÕÖKPUUR	BS18C2BL	BSB18C2BL
Tootmisnumber	4674 89 01.....	4674 98 01.....	000001-999999.....
Puurimislaibimõõt teras	13 mm.....	13 mm.....	40 mm.....
Puuri ø puidus	40 mm.....	40 mm.....	13 mm.....
Puuri ø tellistes ja siilikaatkivides	6 mm.....	6 mm.....	6 mm.....
Puidukruvid (eelpuurimiseta)	0-500 min ⁻¹	0-500 min ⁻¹	0-1950 min ⁻¹
Pöörlemiskiirus tühjooksul 1. käigul	0-1950 min ⁻¹	0-1950 min ⁻¹	0-6500 min ⁻¹
Pöörlemiskiirus tühjooksul 2. käigul	- min ⁻¹	0-25350 min ⁻¹	60 Nm.....
Lööklõike arv 1. käigul	60 Nm.....	60 Nm.....	65 Nm.....
Lööklõike arv 2. käigul	65 Nm.....	65 Nm.....	18 V.....
Pöördemoment *1 (1,5 Ah / 2,0 Ah).....	1,5-13 mm.....	1,5-13 mm.....	17 kg.....
Pöördemoment *1 (3,0 Ah / 4,0 Ah).....	1,9 kg.....	2,0 kg.....	-18...+50 °C.....
Vahetatava aku pinge.....	1,840R, 1,830R, 1,820R, 1,815R.....	1,840R, 1,830R, 1,820R, 1,815R.....	BL1218.....
Puuripadruni pingutusvahemik.....			
Kaal vastavalt EPTA-protseduurile 01/2003 (1,5 Ah / 2,0 Ah).....			
Kaal vastavalt EPTA-protseduurile 01/2003 (3,0 Ah / 4,0 Ah).....			
Soovitulik ümbrisev temperatuur töötamise ajal.....			
Soovitulik akutüübid.....			
Soovitulik laadija.....			
Müra/vibratsiooni andmed			
Mõõteväärtused on kindlaks tehtud vastavalt normile EN 60745.			
Seadme A-filtriga hinnatud helirõhutamise on tüüpiliselt Helirõhutamise (Määramatus K=3dB(A)).....	87,5 dB (A).....	87,5 dB (A).....	
Helivõimsuse tase (Määramatus K=3dB(A)).....	98,5 dB (A).....	98,5 dB (A).....	
Kandke katseks kõrvaklappe!			

Vibratsiooni koguväärtus (kolme suuna vektorsumma) mõõdetud EN 60745 järgi.

Vibratsiooni emissiooni väärtus a _{h,v}	9 m/s ²
Betooni lõõpuurimine a _{h,v}	1,5 m/s ²
Määramatus K=	< 2,5 m/s ²
Metalli puurimine a _{h,v}	< 2,5 m/s ²
Määramatus K=	1,5 m/s ²
Kruvimine a _{h,v}	< 2,5 m/s ²
Määramatus K=	1,5 m/s ²

*1 Mõõdetud vastavalt AEG normile N 877318

TÄHELEPANU

Antud juhendis toodud võnketase on mõõdetud EN 60745 standardile vastava mõõtestüsteemiga ning seda võib kasutada erinevate elektriseadmete omavahelises võrdlemises. Antud näitaja sobib ka esmaseks võnkekoormuse hindamiseks.

Antud võnketase kehtib elektriseadme kasutamisel sihtotstarbeliselt. Kui elektriseadet kasutatakse muudel otstarvetel, muude tööriistadega või seda ei hooldata piisavalt võib võnketase siintoodust erineda. Eeltoodu võib võnketaset märkimisväärselt tõsta terves töökeskkonnas.

Võnketaseme täpseks hindamiseks tuleks arvestada ka aega, mil seade on välja lülitatud või on küll sisse lülitatud, kuid ei ole otseselt kasutuses. See võib märgatavalt vähendada kogu töökeskkonna võnketaset.

Rakendage spetsiaalseid ettevaatusabinõusid töötajate suhtes, kes puutuvad töö käigus palju kokku vibratsiooniga. Nendeks abinõudeks võivad olla, näiteks: elektri- ja tööseadmete korraline hooldus, käte soojendamine, töövoo parem organiseerimine.

▲ TÄHELEPANU! Kõik selle elektrilise tööriista kaasasolevad ohutusnõuded, juhised, joonised ja spetsifikatsioonid tuleb läbi lugeda. Kõigi allpool loetletud juhiste eramise tagajärjeks võib olla elektrilöökk, tulekahju ja/või raskest vigastused.

▲ PUURMASINATE OHUTUSJUHISED

Kandke lõõpuurimisel kuulmekaitset. Müra toime võib põhjustada kuulmiskadu. Kasutage seadmega koos tarnitud lisakäepidemeid. Kontrolli kaotamine võib põhjustada vigastusi.

Enne tööga alustamist hoidke seadmet selleks ettenähtud käepidemest hästi kõvasti kinni. See töötab suurel pöördekiirusel ja kui te ei hoiä sellest töö ajal piisavalt kõvasti kinni, võite kaotada selle üle kontrolli ja end vigastada.

Tööde puhul, kus lõõkseade võib minna vastu peidetud elektrijuhtmeid või seadme enda toitejuhet, hoidke kinni seadme isoleeritud käepidemetest.

Kokkupuude pingestatud juhtmega võib pingestada ka lõõkseadme metallist osad ning põhjustada elektrilöögi.

Ärge kunagi kasutage suuremat pöördekiirust, kui puuri otsale maksimaalselt on ette nähtud. Lubatud suuremal kiirusel pööreldeks võib puuri ots painduda, kui see pöörleb toorikuga kokku puutumata, mis omakorda võib põhjustada vigastusi.

Alustage alati madalamal pöördekiirusel ja nii, et puuri ots puutub toorikuga kokku. Lubatud suuremal kiirusel pööreldeks võib puuri ots painduda, kui see pöörleb toorikuga kokku puutumata, mis omakorda võib põhjustada vigastusi.

Alati vajutage puuri otsale peale otse ja ärge suruge liiga tugevasti. Puuri otsad võivad painduda ja murruda või kaob kontroll seadme üle, mis omakorda võib põhjustada vigastusi.

▲ KRUVITSATE OHUTUSJUHISED

Hoidke käed seadme isoleeritud käepidemedel, kui Te teostate töid, mille juures kruvi võib sattuda varjatud voolühtmetele. Kruvi kontakt pinget juhtiva juhtmega võib panna metallist seadme osad pingele alla ja põhjustada elektrilöögi.

Laadige süsteemi GBS vahetatavaid akusid ainult süsteemi GBS laadijatega. Ärge laadige nendega teiste süsteemide akusid.

Ärge avage vahetatavaid akusid ega laadijaid ning ladustage neid ainult kuivadetes ruumides. Katke niiskuse eest.

Äärmuslikul koormusel või äärmuslikul temperatuuril võib kahjustatud vahetatavat akust akuvedelik välja voolata. Akuvedelikuga kokkupuutumise korral peske kohe vee ja seebiga. Silma sattumise korral loputage kiiresti põhjalikult vähemalt 10 minutit ning pöörduge viivitamatult arsti poole.

KASUTAGE ALATI LISAKÄEPIDET, kui kasutusel on 9,0 Ah või suurema võimsusega aku, mõningate elektritööriistade pöördemoment võib suureneä. Juht kui Teie trelil või lööktril on saadetud ilma lisakäepidemeta, kasutage palun lisakäepideme tagavaraosa (s.a. elektritööriista koostejoonist).

Ärge sisestage lõiketera, kui masin töötab ja lülitil pole lukustatud. Pöörlev lõiketera võib kasutatult vigastada.

Hoiatus! Lühisest põhjustatud tuleohu, vigastuste või toote kahjustuste vältimiseks ärge kaske tööriista, vahetusakut ega laadimiseadet vedelikku ning jälgige, et vedelikke ei tungiks seadmesse ega akusse. Korrodeeruvad või elektrit juhtivad vedelikud, nagu sooovesi, teatud kemikaalid ja plegitüsained või plegitüsaineid sisaldavad tooted, võivad põhjustada lühisi.

KASUTAMINE VASTAVALT OTSTARBELE

Elektronilist akulööktrell-kruvikerajat saab sõltumata võrguühendusest universaalselt rakendada puurimiseks, lõõpuurimiseks ja kruvide keeramiseks. Antud seadet tohib kasutada ainult vastavalt äranäidatud otstarbele.

EÜ VASTAVUSVAALDUS

Me deklarime ainuisikuliselt vastutades, et lõigus "Tehnilised andmed" kirjeldatud toode vastab direktiivide 2011/65/EU (RoHS), 2014/30/EU, 2006/42/EÜ kõigile olulistele tähtsusega eeskirjadele ning järgmistele harmoniseeritud normatiivsetele dokumentidele:

EN 60745-1:2009 + A11:2010

EN 60745-2-1:2010

EN 55014-1:2017

EN 55014-2:2015

EN 50581:2012

Winnenden, 2018-02-08

Alexander Krug
Managing Director
On volitatud koostama tehnilist dokumentatsiooni.
Technicon Industries GmbH
Max-Eyth-Straße 10
71364 Winnenden
Germany



AKUD

Pikemat aega mittekasutatud akusid laadige veel enne kasutamist.

Temperatuur üle 50 °C vähendab vahetatava aku töövoimet. Vältige pikemat soojenemist päikese või kütteseadme mõjul.

Hoidke laadija ja vahetatava aku ühenduskontaktid puhtad.

Patreide optimaalse eluea tagamiseks, pärast kasutamist täielikult lae pateride plokki.

Akud tuleks võimalikult pika kasutusea saavutamiseks pärast täislaadimist laadijast välja võtta.

Aku ladustamisel üle 30 päeva:

Ladustage akut kuivas kohas u 27°C juures.

Ladustage akut u 30-50% laetusesisundis.

Laadige aku iga 6 kuu tagant täis.

AKU KOORMUSKAITSE

Aku ülekoormamisel kõrge voolubarimisega, nt puuri blokeerumisel, äkilisel seiskumisel või lühise tekkimisel, vibreerib elektritööriist 2 sekundit ning seejärel lülitub automaatselt välja.

Uuesti sisse lülitamiseks tuleb päästik esmalt vabastada ning seejärel uuesti alla suruda.

Ülisuurel koormusel võib aku kuuneneda kõrgete temperatuurideni. Sellisel juhul lülitub aku välja.

Aku tuleb laadimiseks ja taasaktiveerimiseks sisestada laadimisseadmesse.

LIITUMIOONAKUDE TRANSPORTIMINE

Liitumioonakud on allutatud ohtlike ainete transportimisega seonduvatele õigusaktidele.

Nende akude transportimine peab toimuma kohalikest, siseriiklikest ja rahvusvahelistest eeskirjadest ning määrustest kinni pidades.

- Tarbijad tohivad neid akusid edasiste piiranguteta tänaval transportida.
- Liitumioonakude kommentstransport ekspedeerimisettevõtete kaudu on allutatud ohtlike ainete transportimisega seonduvatele õigusaktidele. Tarne-ettevalmistust ja

transporti tohivad teostada eranditult vastavalt koolitatud isikud. Kogu protsessi tuleb asjatundlikult jälgida.

Akude transportimisel tuleb järgida järgmisi punkte:

- Tehke kindlaks, et kontaktid on lühise vältimiseks kaitsud ja isoleeritud.
- Pöörake tähelepanu sellele, et akupakk ei saaks pakendis nihkuda.
- Kahjustatud või välja voolanud akusid ei tohi kasutada.









Pöörduge edasiste juhiste saamiseks ekspedeerimisettevõtte poole.

HOOLDUS

Kasutage ainult AEG tarvikuid ja AEG tagavaraosi. Detailid, mille väljavahetamist pole kirjeldatud, laske välja vahetada AEG klienditeeninduspunktis (vaadake brošüüri garantiit / klienditeeninduste aadressid).

Vajadusel saab nõuda seadme plahvatusoone võimsussildil oleva masinatüübi ja kuuekohalise numbrilise alusel klientiteeninduspunktist või vahetult firmalt Technicon Industries GmbH, Max-Eyth-Straße 10, 71364 Winnenden, Germany.

SÜMBOLID

	ETTEVAATUST! TÄHELEPANU! OHUD!
	Enne kõiki töid masina kallal võtke vahetatav aku välja.
	Palun lugege enne käikulaskmist kasutamjuhend hoolikalt läbi.
	Elektriseadmeid, patareisid/akusid ei tohi utiliseerida koos majapidamisprügiga. Elektriseadmed ja akud tuleb eraldi kokku koguda ning kõrvaldada keskkonnasõbralikul moel töötlemiskeskusesse. Küsige infot jäätmeäritlusajamade ja kogumispunktide kohta oma kohalike ametnike või edasimilüja käest.
n_h	Pöörlemiskiirus tühjooksul
v	Pinge
	Alalisvool
	CE-märk
	UKraina riiklik vastavusmärk
TR 066	
	Euraasia vastavusmärk.

ТЕХНИЧЕСКИЕ ДАННЫЕ	АКК. УДАРНАЯ ДРЕЛЬ/ШУРУПОВЕРТ	BS18C2BL	BSB18C2BL
Серийный номер изделия	4674 89 01... ...000001-999999	4674 98 01... ...000001-999999
Производительность сверления в стали	13 mm	13 mm
Производительность сверления в дереве	40 mm	40 mm
Производительность сверления в кирпич и кафель	13 mm	13 mm
Шурупы для дерева (без предварительного засверливания)	6 mm	6 mm
Число оборотов без нагрузки (об/мин) 1-ая передача	0-500 min ⁻¹	0-500 min ⁻¹
Число оборотов без нагрузки (об/мин) 2-я скорость	0-1950 min ⁻¹	0-1950 min ⁻¹
Количество ударов в минуту 1-ая передача	- min ⁻¹	0-6500 min ⁻¹
Количество ударов в минуту 2-я скорость	- min ⁻¹	0-25350 min ⁻¹
Момент затяжки *1 (1,5 Ah / 2,0 Ah)	60 Nm	60 Nm
Момент затяжки *1 (3,0 Ah / 4,0 Ah)	65 Nm	65 Nm
Вольтаж аккумулятора	18 V	18 V
Диапазон раскрытия патрона	1,5-13 mm	1,5-13 mm
Вес согласно процедуре EPTA 01/2003 (1,5 Ah / 2,0 Ah)	1,7 kg	1,8 kg
Вес согласно процедуре EPTA 01/2003 (3,0 Ah / 4,0 Ah)	1,9 kg	2,0 kg
Рекомендованная температура окружающей среды во время работы	-18...+50 °C	
Рекомендованные типы аккумуляторных блоков	L1840R, L1830R, L1820R, L1815R	
Рекомендованные зарядные устройства	BL1218	

Информация по шумам/вибрации

Значения измерялись в соответствии со стандартом EN 60745.

Обычное низкочастотное звуковое давление, производимое инструментом, составляет

Уровень звукового давления (Небезопасность K=3dB(A))	87,5 dB (A)	87,5 dB (A)
Уровень звуковой мощности (Небезопасность K=3dB(A))	98,5 dB (A)	98,5 dB (A)

Пользуйтесь приспособлениями для защиты слуха.

Общие значения вибрации (векторная сумма трех направлений) определены в соответствии с EN 60745.

Значение вибрационной эмиссии a_{hvd}

Ударное сверление в бетоне a _{hvd}	9 m/s ²	
Небезопасность K=	1,5 m/s ²	
Сверление в металле a _{hvd}	< 2,5 m/s ²	< 2,5 m/s ²
Небезопасность K=	1,5 m/s ²	1,5 m/s ²
Завинчивание a _{hvd}	< 2,5 m/s ²	< 2,5 m/s ²
Небезопасность K=	1,5 m/s ²	1,5 m/s ²

*1 Измерения согласно нормативам AEG № 877318

ВНИМАНИЕ

Указанный в настоящем руководстве уровень вибрации измерен в соответствии с технологией измерения, установленной стандартом EN 60745 и может использоваться для сравнения электроинструментов друг с другом. Он также подходит для предварительной оценки вибрационной нагрузки.

Указанный уровень вибрации представляет основные виды использования электроинструмента. Но если электроинструмент используется для других целей, используемый инструмент отклоняется от указанного или техническое обслуживание было недостаточным, то уровень вибрации может отклоняться от указанного. В этом случае вибрационная нагрузка в течение всего периода работы значительно увеличится.

Для точной оценки вибрационной нагрузки необходимо также учитывать время, в течение которого прибор отключен или включен, но фактически не используется. В этом случае вибрационная нагрузка в течение всего периода работы может существенно уменьшиться.

Установите дополнительные меры безопасности для защиты пользователя от воздействия вибрации, например: техническое обслуживание электроинструмента и используемого инструмента, поддержание рук в теплом состоянии, организация рабочих процессов.

ВНИМАНИЕ! Ознакомьтесь со всеми предупреждениями относительно безопасного использования, инструкциями, иллюстративным материалом и техническими характеристиками, поставляемыми с этим электроинструментом. Несоблюдение всех нижеследующих инструкций может привести к поражению электрическим током, пожару и/или тяжелым травмам.

УКАЗАНИЯ ПО ТЕХНИКЕ БЕЗОПАСНОСТИ ДЛЯ ДРЕЛЕЙ

При ударном сверлении надевайте защитные наушники. Воздействие шума может привести к потере слуха.

Используйте вспомогательные рукоятки, поставляемые вместе с инструментом. Потеря контроля может стать причиной травмы.

Перед началом работы надежно удерживайте устройство с помощью предусмотренной для этого ручки. Данное устройство создает высокий крутящий момент на выходном валу, поэтому если не держат его крепко во время работы, можно потерять над ним контроль и получить травму.

Если Вы выполняете работы, при которых режущий инструмент может зацепить скрытую электропроводку или собственный кабель, инструмент следует держать за специально предназначенные для этого изолированные поверхности.

Контакт режущего инструмента с токоведущим проводом может ставить под напряжение металлические части прибора, а также приводить к удару электрическим током.

Никогда не используйте более высокую скорость, чем максимальная скорость, указанная для сверла. На более высоких скоростях сверло может изогнуться, если будет вращаться без контакта с обрабатываемым изделием, что может привести к травме.

Всегда начинайте работу на низкой скорости и когда сверло контактирует с обрабатываемым изделием. На более высоких скоростях сверло может изогнуться, если будет вращаться без контакта с обрабатываемым изделием, что может привести к травме.

Всегда оказывайте давление исключительно вдоль оси сверла и не давите слишком сильно. Сверла могут изгибаться и ломаться или приводить к потере контроля над устройством, что в свою очередь также может привести к травме.

УКАЗАНИЯ ПО ТЕХНИКЕ БЕЗОПАСНОСТИ ДЛЯ ШУРУПОВЕРТОВ

Если Вы выполняете работы, при которых болт может зацепить скрытую электропроводку, устройство следует держать за специально предназначенные для этого изолированные поверхности. Контакт болта с токоведущим проводом может ставить под напряжение металлические части прибора, а также приводить к удару электрическим током.

ДОПОЛНИТЕЛЬНЫЕ УКАЗАНИЯ ПО БЕЗОПАСНОСТИ И РАБОТЕ

Пользоваться средствами защиты, при которых болт может зацепить скрытую электропроводку, устройство следует держать за специально предназначенные для этого изолированные поверхности. Контакт болта с токоведущим проводом может ставить под напряжение металлические части прибора, а также приводить к удару электрическим током.

Пыль, возникающая при работе данным инструментом, может нанести вред здоровью. Не следует допускать её попадания в организм. Надевайте противопылевой респиратор. Запрещается обрабатывать материалы, которые могут нанести вред здоровью (напр., асбест).

При блокировании используемого инструмента немедленно выключить прибор! Не включайте прибор до тех пор, пока используемый инструмент заблокирован, в противном случае может возникнуть отдача с высоким реактивным моментом. Определите и устраните причину блокирования используемого инструмента с учетом указаний по безопасности.

Возможными причинами могут быть:

- перекос заготовки, подлежащей обработке
- разрушение материала, подлежащего обработке
- перегрузка электроинструмента

Не прикасаться к работающему станку.

Используемый инструмент может нагреваться во время применения.

ВНИМАНИЕ! Опасность получения ожога

- при смене инструмента
- при укладывании прибора

Не убирайте опилки и обломки при включенном инструменте.

При работе в стенах, потолках или полу следите за тем, чтобы не повредить электрические кабели или водопроводные трубы.

Закрепите вашу заготовку с помощью зажимного приспособления. Незакрепленные заготовки могут привести к тяжелым травмам и повреждениям.

Выньте аккумулятор из машины перед проведением с ней каких-либо манипуляций.

Не выбрасывайте использованные аккумуляторы вместе с домашним мусором и не сжигайте их. Дистрибьюторы компании AEG предлагают восстановление старых аккумуляторов, чтобы защитить окружающую среду.

Не храните аккумуляторы вместе с металлическими предметами во избежание короткого замыкания.

Для зарядки аккумуляторов модели GBS используйте только зарядным устройством GBS. Не заряжайте аккумуляторы других систем.

Никогда не вскрывайте аккумуляторы или зарядные устройства и храните их только в сухих помещениях. Следите, чтобы они всегда были сухими.

Аккумуляторная батарея может быть повреждена и дать течь под воздействием чрезмерных температур или повышенной нагрузки. В случае контакта с аккумуляторной кислотой немедленно промойте место контакта мылом и водой. В случае попадания кислоты в глаза промойте глаза в течение 10 минут и немедленно обратитесь за медицинской помощью.

ВСЕГДА ИСПОЛЬЗОВАТЬ ДОПОЛНИТЕЛЬНУЮ РУКОЯТКУ, когда используется аккумулятор емкостью 9,0 Ah или выше; крутящий момент электроинструмента может увеличиться. Если ваша дрель или шуруповерт поставляется без дополнительной рукоятки, пожалуйста, используйте запасную часть дополнительной рукоятки (см. сборочный чертеж электроинструмента).

Не ставьте насадку, когда инструмент работает и кнопка выключателя не заблокирована. Вращающаяся насадка может травмировать пользователя.

Предупреждение! Для предотвращения опасности пожара в результате короткого замыкания, трещин и повреждения изделия не опускайте инструмент, сменный аккумулятор или зарядное устройство в жидкости и не допускайте попадания жидкостей внутрь устройств или аккумуляторов. Коррозионные и проводящие жидкости, такие как солевой раствор, определенные химикаты, обезжелезающие средства или содержащие их продукты, могут привести к короткому замыканию.

ИСПОЛЬЗОВАНИЕ

Электронная ударная дрель/шуруповерт AEG сконструирована для простого сверления, ударного сверления, закручивания шурупов в местах, необеспеченных электропитанием.

Не пользуйтесь данным инструментом способом, отличным от указанного для нормального применения.

ДЕКЛАРАЦИЯ О СООТВЕТСТВИИ СТАНДАРТАМ ЕС

Мы заявляем под собственную ответственность, что изделие, описанное в разделе "Технические характеристики", соответствует всем важным предписаниям Директивы 2011/65/EU (Директива об ограничении применения опасных веществ в электрических и электронных приборах), 2014/30/EU, 2006/42/EC и приведенным далее гармонизированным нормативным документам:

EN 60745-1:2009 + A11:2010
EN 60745-2-1:2010
EN 55014-1:2017
EN 55014-2:2015
EN 50581:2012

Winnenden, 2018-02-08

Alexander Krug

Alexander Krug
Managing Director

Уполномочен на составление технической документации.

Techtronic Industries GmbH
Max-Eyth-Straße 10
71364 Winnenden
Germany

АККУМУЛЯТОР

Перед использованием аккумулятора, который не пользовались некоторое время, его необходимо зарядить.

Температура свыше 50°C снижает работоспособность аккумуляторов. Избегайте продолжительного нагрева или прямого солнечного света (риск перегрева). Контакты зарядного устройства и аккумуляторов должны содержаться в чистоте. Чтобы снова зарядить и активировать аккумулятор, подключите его к зарядному устройству.

Для обеспечения оптимального срока службы аккумуляторы необходимо полностью заряжать после использования.

Для достижения максимально возможного срока службы аккумуляторы после зарядки следует вынимать из зарядного устройства.

При хранении аккумулятора более 30 дней:

- Храните аккумулятор при 27°C в сухом месте.
- Храните аккумулятор с зарядом примерно 30% - 50%.
- Каждые 6 месяцев аккумулятор следует заряжать.

ЗАЩИТА АККУМУЛЯТОРА ОТ ПЕРЕГРУЗКИ

При перегрузке аккумулятора из-за очень высокого расхода электроэнергии, напр., предельно высоких крутящих моментов, заклинивания сверла, внезапной остановки или короткого замыкания, электроинструмент гудит 2 секунды и автоматически отключается. Для повторного включения отпустить кнопку выключателя и затем снова включить.

При предельно высоких нагрузках аккумулятор может сильно нагреться. В этом случае аккумулятор отключится.

ТРАНСПОРТИРОВКА ЛИТИЙ-ИОННЫХ АККУМУЛЯТОРОВ

Литий-ионные аккумуляторы в соответствии с предписаниями закона транспортируются как опасные грузы.

Транспортировка этих аккумуляторов должна осуществляться с соблюдением местных, национальных и международных предписаний и положений.

- Эти аккумуляторы могут перевозиться по улице потребителем без дальнейших обязательств.
- При коммерческой транспортировке литий-ионных аккумуляторов экспедиторскими компаниями действуют положения, касающиеся транспортировки опасных грузов. Подготовка к отправке и транспортировка должны производиться исключительно специально обученными лицами. Весь процесс должен находиться под контролем специалиста.

При транспортировке аккумуляторов необходимо соблюдать следующие пункты:

- Убедитесь, что контакты защищены и изолированы во избежание короткого замыкания.
- Следите за тем, чтобы аккумуляторный блок не соскользнул внутри упаковки.
- Транспортировка поврежденных или протекающих аккумуляторов запрещена.

За дополнительными указаниями обратитесь к своему экспедитору.

ОБСЛУЖИВАНИЕ

Пользуйтесь ассессурами и запасными частями AEG. В случае возникновения необходимости в замене, которая не была описана, обращайтесь в один из сервисных центров по обслуживанию электроинструментов AEG (см. список сервисных организаций). При необходимости, у сервисной службы или непосредственно у фирмы Techtronic Industries GmbH, Max-Eyth-Straße 10, 71364, Винненден, Германия, можно запросить сборочный чертеж устройства, сообщив его тип и шестизначный номер, указанный на фирменной табличке.

СИМВОЛЫ

	ВНИМАНИЕ! ПРЕДУПРЕЖДЕНИЕ! ОПАСНОСТЬ!
	Выньте аккумулятор из машины перед проведением с ней каких-либо манипуляций.
	Пожалуйста, внимательно прочтите инструкцию по использованию перед началом любых операций с инструментом.
	Электроприборы, батареи/аккумуляторы запрещено утилизировать вместе с бытовым мусором. Электрические приборы и аккумуляторы следует собирать отдельно и сдавать в специализированную компанию для утилизации в соответствии с нормами охраны окружающей среды.
	Получите в местных органах власти или у вашего специализированного дилера сведения о центрах вторичной переработки и пунктах сбора.
	Число оборотов без нагрузки
	Вольт пост. тока
	Постоянный ток
	Знак CE
	Национальный украинский знак соответствия
	Знак Евразийского Соответствия

ТЕХНИЧЕСКИ ДАННИАКУМУЛАТОРЕН УДАРЕН ГАЙКОВЕРТ		BS18C2BL	BSB18C2BL
Производствен номер.....	4674 89 01.....	4674 98 01.....	000001-999999
Диаметър на свредлото за стомана.....	13 mm.....	13 mm	
Диаметър на свредлото за дърво.....	40 mm.....	40 mm	
Диаметър на свредлото за обикновени и силикатни тухли.....	6 mm.....	6 mm	
Винтове за дърво (без предварително разпробиване).....	0-500 min ⁻¹	0-500 min ⁻¹	
Обороти на празен ход на 1. скорост.....	0-1950 min ⁻¹	0-1950 min ⁻¹	
Обороти на празен ход на 2. скорост.....	- min ⁻¹	0-6500 min ⁻¹	
Брой на ударите на 1. скорост.....	- min ⁻¹	0-25350 min ⁻¹	
Брой на ударите на 2. скорост.....	60 Nm.....	60 Nm	
Въртящ момент *1 (1,5 Ah / 2,0 Ah).....	65 Nm.....	65 Nm	
Въртящ момент *1 (3,0 Ah / 4,0 Ah).....	18 V.....	18 V	
Напрежение на акумулатора.....	1,5-13 mm.....	1,5-13 mm	
Затегателен участък на патронника.....	1,7 kg.....	1,8 kg	
Тегло съгласно процедурата ЕРТА 01/2003 (1,5 Ah / 2,0 Ah).....	1,9 kg.....	2,0 kg	
Тегло съгласно процедурата ЕРТА 01/2003 (3,0 Ah / 4,0 Ah).....	-18...+50 °C.....		
Препоръчителна околна температура при работа.....	L1840R, L1830R, L1820R, L1815R.....		
Препоръчителни видове акумулаторни батерии.....	BL1218.....		
Препоръчителни зарядни устройства.....			
Информация за шума/вибрациите Измерените стойности са получени съобразно EN 60745. Нивото на звуково налягане на уреда в db (A) обикновено съставлява Равнище на звуковото налягане (Несигурност K=3dB(A)) Равнище на мощността на звука (Несигурност K=3dB(A)) Да се носи предпазно средство за слуха!	87,5 dB (A) 98,5 dB (A)	87,5 dB (A) 98,5 dB (A)	

Общите стойности на вибрациите (векторна сума на три посоки) са определени в съответствие с EN 60745.

Стойност на емисии на вибрациите а _n		9 m/s ²	1,5 m/s ²
Ударно пробиване в бетон a _{nD}			
Несигурност K=			
Пробиване на метал I a _{nD}	< 2,5 m/s ²	< 2,5 m/s ²	
Несигурност K=	1,5 m/s ²	1,5 m/s ²	
Завинтване a _n	< 2,5 m/s ²	< 2,5 m/s ²	
Несигурност K=	1,5 m/s ²	1,5 m/s ²	

*1 Измерено по стандарт N 877318 на AEG

ВНИМАНИЕ

Посоченото в тези инструкции ниво на вибрациите е измерено в съответствие със стандартизиран в EN 60745 измервателен метод и може да се използва за сравнение на електрически инструменти помежду им. Подходящ е и за временна оценка на вибрационното натоварване.

Посоченото ниво на вибрациите представя основните приложения на електрическия инструмент. Ако обаче електрическият инструмент се използва с друго предназначение, с различни сменяеми инструменти или при недостатъчна техническа поддръжка, нивото на вибрациите може да е различно. Това чувствително може да увеличи вибрационното натоварване по време на целия работен цикъл.

За точната оценка на вибрационното натоварване трябва да се вземат предвид и периодите от време, в които уредът е изключен или работи, но в действителност не се използва. Това чувствително може да намали вибрационното натоварване по време на целия работен цикъл.

Определете допълнителни мерки по техника на безопасност в защита на обслужващия работник от въздействието на вибрациите като например: техническа поддръжка на електрическия инструмент и сменяемите инструменти, поддръжане на ръцете топли, организация на работния цикъл.

▲ ВНИМАНИЕ! Прочетете всички указания за безопасност, инструкции, илустрации и спецификации за този електронинструмент. Пропуските при спазване на приведените по-долу указания могат да доведат до токов удар, пожар и/или тежки травми.

▲ УКАЗАНИЯ ЗА БЕЗОПАСНОСТ ЗА БОРМАШИНИ

Носете предпазни тапи за ушите при ударното пробиване. Шумът може да доведе до загуба на слуха.

Използвайте доставените с уреда допълнителни ръкохватки. Загубата на контрол може да доведе до наранявания.

Преди започване на работа хванете здраво уреда за предвидената за целта ръкохватка. Уредът създава висок начален въртящ момент и ако по време на работа не го държите здраво, можете да загубите контрол над него и да се нараните.

Дръжте уреда за изолираните ръкохватки, когато извършвате работи, при които режещият инструмент може да засегне скрити електросталационни кабели или собствения си кабел.

Контактът на режещия инструмент с тоководещ проводник може да предаде напрежението върху метални части на уреда и да доведе до токов удар.

Никога не използвайте по-високи обороти от максималните обороти, предвидени за пробиващия накрайник. При по-високи обороти накрайникът може да се огъне, когато се върти без контакт с детайла, което може да доведе до наранявания.

Винаги стартирайте с ниски обороти и работете с таква, когато пробиващият накрайник се намира в контакт с детайла. При по-високи обороти накрайникът може да се огъне, когато се върти без контакт с детайла, което може да доведе до наранявания.

Винаги прилагайте натиск само в директна посока към пробиващия накрайник и не натискайте прекалено силно. Пробиващият накрайник може да се огънат и да се счупят, или да причинят загуба на контрол над уреда, поради което да се стигне до наранявания.

▲ УКАЗАНИЯ ЗА БЕЗОПАСНОСТ ЗА СВРЕДЛА ЗА УДАРНО ПРОБИВАНЕ

Когато извършвате работи, при които болтът може да докосне скрити електрически кабели, дръжте уреда за изолираните ръкохватки. Контактът на болта с тоководещ проводник може да постави метални част на уреда под напрежение и може да Ви хване ток.

ДОПЪЛНИТЕЛНИ УКАЗАНИЯ ЗА РАБОТА И БЕЗОПАСНОСТ

Да се използват предпазни средства. При работа с машината винаги носете предпазни очила. Препоръчват се защитно облекло и прахозащитна маска, защитни ръкавици, здрави и нехлъзгащи се обувки, каска и предпазни средства за слуха.

Прахът, който се образува при работа, често е вреден за здравето и не бива да попада в тялото. Да се носи подходяща прахозащитна маска.

Не е разрешена обработката на материали, които представляват опасност за здравето (напр. азбест).

Ако използваният инструмент блокира, изключете веднага уреда! Не включвайте уреда отново, докато използваният инструмент е блокиран; това би могло да доведе до откат с висока реактивна сила. Открийте и отстранете причината за блокирането на използвания инструмент имайки в предвид инструкциите за безопасност.

Възможните причини за това могат да бъдат:

- Закливане в обработваната част
- Пробиване на материала
- Пренатоварване на електрическия инструмент

Не бъркайте в машината, докато тя работи.

Използваният инструмент може да загрее по време на употреба.

ВНИМАНИЕ! Опасност от изгаряния

- при смяна на инструмента
- при оставяне на уреда

Стружи или отчупени парчета да не се отстраняват, докато машина работи.

При работа в стени, тавани или подове внимавайте за кабели, газопроводи и водопроводи.

Закрепете обработваната част с устройство за захващане. Незакрепени части за обработка могат да причинят сериозни наранявания и материални щети.

Преди започване на каквито е да е работи по машината извадете акумулатора.

Не изхвърляйте изхабените акумулатори в огъня или в при битовите отпадъци. AEG предлага екологосъобразно събиране на старите акумулатори; моля посетете Вашия специализиран търговец.

Не съхранявайте акумулаторите заедно с метални предмети (опасност от късо съединение).

Акумулатори от системата GBS да се зареждат само със зарядни устройства от системата GBS laden. Да не се зареждат акумулатори от други системи.

Не отваряйте акумулатори и зарядни устройства и ги съхранявайте само в сухи помещения. Пазете ги от влага.

При екстремно натоварване или екстремна температура от повредени акумулатори може да изтече батерийна течност. При допир с такава течност веднага измийте с вода и сапун. При контакт с очите веднага изплаквайте старателно най-малко 10 минути и незабавно потърсете лекар.

ВИНАГИ ИЗПОЛЗАВАЙТЕ ДОПЪЛНИТЕЛНА РЪКОХВАТКА, ако използвате акумулаторна батерия с капацитет 9,0 Ah или по-висок; въртящият момент на някои електронинструменти може да се повиши. Ако бормашината или ударната бормашина е доставена без допълнителна ръкохватка, използвайте резервната част на допълнителната ръкохватка (вижте техническия чертеж на електронинструмента).

Не поставяйте бит, когато машината работи и задействаният превключвател не е блокиран. Въртящият се бит може да нарани потребителя.

Предупреждение! За да избегнете опасността от пожар, предизвикана от късо съединение, както и нараняванията и повредите на продукта, не потапяйте инструмента, сменяемата акумулаторна батерия или зарядното устройство в течности и се погрижете в уредите и акумулаторните батерии да не попадат в течности. Течностите, предизвикващи корозия или провеждащи електричество, като солена вода, определени химикали, изоблеващи вещества или продукти, съдържащи изоблеващи вещества, могат да предизвикат късо съединение.

ИЗПОЛЗВАНЕ ПО ПРЕДНАЗНАЧЕНИЕ

Акумулаторният ударен пробивен винтоверт с електронно управление може универсално да се използва за пробиване, ударно пробиване и завинтване на винтове, като не зависи от захранване от мрежата.

Този уред може да се използва по предназначение само както е посочено.

СЕ - ДЕКЛАРАЦИЯ ЗА СЪОТВЕТСТВИЕ

Заявяваме под собствена отговорност, че описаният в "Технически данни" продукт съответства на всички важни разпоредби на директива 2011/65/EU (RoHS), 2014/30/EU, 2006/42/ЕО, както и на всички спедващи нормативни документи във тази връзка.

EN 60745-1:2009 + A11:2010
EN 60745-2-1:2010
EN 55014-1:2017
EN 55014-2:2015
EN 50581:2012
Winnenden, 2018-02-08

Alexander Krug
Managing Director

Упълномощен за съставяне на техническата документация
Techtronic Industries GmbH
Max-Eyth-Straße 10
71364 Winnenden
Germany

АКУМУЛАТОРИ

Акумулатори, които не са ползвани по-дълго време, преди употреба да се дозареждат.

Температура над 50°C намалява мощността на акумулатора. Да се избягва по-продължително нагряване на слънце или от отопление.

Поддържайте чисти присъединителните контакти на зарядното устройство и на акумулатора.

С цел оптимална продължителност на живот след употреба батерията трябва да бъдат заредени напълно.

За възможно по-дълга продължителност на живот батериите трябва да се изваждат от уреда след зареждане.

При съхранение на батериите за повече от 30 дни: съхранявайте батерията при прилб. 27°C и на сухо място. Съхранявайте батерията при 30 до 50 % от заряда. Зареждайте батерията на всеки 6 месеца.

ЗАЩИТА ОТ ПРЕТОВАРВАНЕ НА БАТЕРИЯТА

При претоварване на акумулатора поради много висока консумация на ток, напр. много високи въртящи моменти, закливане на свредлото, внезапен стоп или късо съединение, електрическият инструмент бърчи 2 секунди и самостоятелно

се изключва.

За ново включване освободете бутона за включване и отново го включете.

При извършени натоварвания акумулаторът може да се нагрее силно. В този случай акумулаторът изключва.

Тогава акумулаторът да се включи към зарядното устройство, за да се дозареди и активира.

ПРЕВОЗ НА ЛИТИЕВО-ЙОННИ БАТЕРИИ

Литиево-йонните батерии са предмет на законите разпоредби за превоз на опасни товари.

Превозът на тези батерии трябва да се извършва в съответствие с местните, националните и международните разпоредби и регламенти.

• Потребителите могат да превозват тези батерии по пътя без допълнителни изисквания.

• Превозът на литиево-йонни батерии от транспортни компании е предмет на законите разпоредбите за превоз на опасни товари. Подготовката на превоза и самият превоз трябва да се извършват само от обучени лица. Целият процес трябва да е под професионален надзор.

Спазвайте следните изисквания при превоз на батерии:

• Уверете се, че контактите са защитени и изолирани, за да се избегне късо съединение.

• Уверете се, че няма опасност от разместване на батерията в опаковката.

• Не превозвайте повредени батерии или такива с течове.

Обърнете се към Вашата транспортна компания за допълнителни инструкции.

ПОДДРЪЖКА

Да се използват само акесоари на AEG и резервни части на AEG. Елементи, чията подмяна не е описана, да се дадат за подмяна в сервиз на AEG (вижте брошурата "Гаранция и адреси на сервиси").

При необходимост можете да поискате схема на елементите на уреда при посочване на обозначение на машината и шестцифренния номер на табелката за технически данни от Вашия сервиз или директно на Techtronic Industries GmbH, Max-Eyth-Straße 10, 71364 Winnenden, Германия.

СИМВОЛИ

	ВНИМАНИЕ! ПРЕДУПРЕЖДЕНИЕ! ОПАСНОСТ
	Преди започване на каквито е да е работи по машината извадете акумулатора.
	Преди пускане на уреда в действие моля прочетете внимателно инструкцията за използване.
	Електрическите уреди, батерии/акумулаторни батерии не трябва да се изхвърлят заедно с битовите отпадъци. Електрическите уреди и акумулаторни батерии трябва да се събират разделно и да се предават на службите за рециклиране на отпадъците според изискванията за опазване на околната среда. Информирайте се при местните служби или при местните специализирани търговци относно местата за събиране и центровете за рециклиране на отпадъци.
n	Обороти на празен ход
V	Напрежение
	Постоянен ток
	СЕ-знак
	Национален знак за съответствие - Украйна
TR 066	EurAsian знак за съответствие.

DATE TEHNICEMĂȘINĂ DE GĂURIT/ ÎNȘURUBAT COMPACTĂ CU ACUMULATOR	BS18C2BL	BSB18C2BL
Numar productie.....	4674 89 01... ...000001-999999	4674 98 01... ...000001-999999
Capacitate de găurire în oțel	13 mm	13 mm
Capacitate de găurire în lemn	40 mm	40 mm
Capacitate de perforare în cărămidă și țiglă.....	6 mm	6 mm
Șuruburi pt. lemn (fără pregăurire)	0-500 min ⁻¹	0-500 min ⁻¹
Viteza de mers în gol , prima treaptă de putere	0-1950 min ⁻¹	0-1950 min ⁻¹
Viteza de mers în gol, a 2-a treaptă	- min ⁻¹	0-6500 min ⁻¹
Rata de impact, prima treaptă de putere	- min ⁻¹	0-25350 min ⁻¹
Rata de impact, a 2-a treaptă	60 Nm	60 Nm
Cuplu *1 (1,5 Ah / 2,0 Ah)	65 Nm	65 Nm
Cuplu *1 (3,0 Ah / 4,0 Ah)	18 V	18 V
Tensiune acumulator	1,5-13 mm	1,5-13 mm
Interval de deschidere burghiu	1,7 kg	1,8 kg
Greutatea conform „EPTA procedure 01/2003” (1,5 Ah / 2,0 Ah)	1,9 kg	2,0 kg
Greutatea conform „EPTA procedure 01/2003” (3,0 Ah / 4,0 Ah)	-18...+50 °C	
Temperatura ambientată recomandată la efectuarea lucrărilor	L1840R, L1830R, L1820R, L1815R	
Acumulatori recomandați	BL1218	
Încărcătoare recomandate		

Informație privind zgomotul/vibrațiile

Valori măsurate determinate conform EN 60745.

Valoarea reală A a nivelului presiunii sonore a sculei este :

Nivelul presiunii sonore (Nesigurantă K=3dB(A)).....	87,5 dB (A)	87,5 dB (A)
Nivelul sunetului (Nesigurantă K=3dB(A)).....	98,5 dB (A)	98,5 dB (A)

Purtați căști de protecție

Valorile totale de oscilație (suma vectorială pe trei direcții) determinate conform normei EN 60745.

Valoarea emisiei de oscilații a_{nD}

Găurit cu percuție în beton a _{nD}	9 m/s ²
Nesigurantă K=.....	1,5 m/s ²
Găurit în metal l a _{nD}	< 2,5 m/s ²	< 2,5 m/s ²
Nesigurantă K=.....	1,5 m/s ²	1,5 m/s ²
Înșurubare a _{nD}	< 2,5 m/s ²	< 2,5 m/s ²
Nesigurantă K=.....	1,5 m/s ²	1,5 m/s ²

*1 Măsurată conform normei AEG N 877318

AVERTISMENT

Gradul de oscilație indicat în prezentele instrucțiuni a fost măsurat în conformitate cu o procedură de măsurare normată prin norma EN 60745 și poate fi folosit pentru a compara uneltele electrice între ele. El se pretează și pentru o evaluare provizorie a solicitării la oscilații.

Gradul de oscilație indicat reprezintă aplicațiile principale ale uneltele electrice. În cazul în care însă uneltele electrice au fost folosite pentru alte aplicații, ori au fost folosite uneltele de muncă diferite ori acestea nu au fost supuse unei suficiente inspecții de întreținere, gradul de oscilație poate fi diferit. Acest fapt poate duce la o creștere netă a solicitărilor la oscilații dealungul întregii perioade de lucru.

În scopul unei evaluări exacte a solicitării la oscilații, urmează să fie luate în considerație și perioadele de timp în care aparatul a fost oprit ori funcționează dar, în realitate, el nu este folosit în mod practic. Acest fapt poate duce la o reducere netă a solicitărilor la oscilații dealungul întregii perioade de lucru.

Stabiliți măsuri de siguranță suplimentare în scopul protecției utilizatorului de efectele oscilațiilor, de exemplu: inspecție de întreținere a uneltele electrice și a celor de muncă, păstrarea caldă a mâinilor, organizarea proceselor de muncă.

⚠️ AVERTISMENT A se citi toate avertismentele, instrucțiunile, ilustrațiile și specificațiile privind siguranța furnizate cu această unelă electrică.
Nerespectarea tuturor instrucțiunilor listate mai jos poate cauza șocuri electrice, incendii și/sau vătămări corporale grave.

⚠️ INSTRUCȚIUNI DE SIGURANȚĂ PENTRU MAȘINILE DE GĂURIT

La găurirea cu percuție purtați echipament de protecție pentru auz. Expunerea la zgomot poate duce la pierderea auzului.

Utilizați manerale auxiliare livrate cu scula. Pierderea controlului poate provoca rănirea persoanelor.

Înainte de începerea lucrului apucați bine aparatul de mânerul prevăzut în acest scop. Acest aparat produce un cuplu de ieșire ridicat și, dacă nu îl țineți bine în timpul funcționării, puteți pierde controlul asupra aparatului și vă puteți răni.

Țineți aparatul de mânerle izolate când executați lucrări la care scula tăietoare poate nimeri peste conductori electrici ascunși sau peste cablul propriu.

Întrarea în contact a sculei tăietoare cu o linie electrică prin care circula curent poate pune sub tensiune și componentele metalice ale aparatului și să ducă la electrocutare.

Nu utilizați niciodată o turație mai mare decât turația maximă indicată pentru burghiu. La turații mai mari, burghiul se poate îndoi când se rotește fără contact cu piesa, ceea ce poate duce la accidentări.

Începeți întotdeauna cu o turație mică și în timp ce burghiul se află în contact cu piesa. La turații mai mari, burghiul se poate îndoi când se rotește fără contact cu piesa, ceea ce poate duce la accidentări.

Executați întotdeauna presiune numai direct pe burghiu și nu apăsați prea tare. Burghiile se pot îndoi și se pot rupe sau pot conduce la pierderea controlului asupra aparatului, ceea ce poate antrena accidentări.

⚠️ INSTRUCȚIUNI DE SIGURANȚĂ PENTRU MAȘINILE DE ÎNȘURUBAT

Țineți aparatul de mânerle izolate atunci când executați lucrări la care șurubul ar putea atinge cabluri de curent ascunse. Contactul șurubului cu un conductor prin care circula curent electric poate pune sub tensiune componente metalice ale aparatului, provocând electrocutare.

INSTRUCȚIUNI SUPPLEMENTARE DE SIGURANȚĂ ȘI DE LUCRU

Folosii echipament de protecție . Purtați întotdeauna ochelari de protecție când lucrați cu mașina . Se recomandă utilizarea hainelor de protecție ca de ex. Măști contra prafului, mănuși de protecție, încălțăminte stabilă nealunecoasă, cască și apăărătoare de urechi.

Praful care apare când se lucrează cu această sculă poate fi dăunător sănătății și prin urmare nu trebuie să atingă corpul. Purtați o mască de protecție corespunzătoare împotriva prafului.

Nu se admite prelucrarea unui material care poate pune în pericol sănătatea operatorului (de exemplu azbestul).

La blocarea sculei demontabile vă rugăm să deconectați imediat aparatul! Nu conectați aparatul atât timp cât scula demontabilă este blocată; dacă o faceți, s-ar putea să se producă un recul cu un cuplu mare de reacție. Găsiți și remediați cauza de blocare a sculei demontabile respectând indicațiile pentru siguranță.

Cauzele posibile pot fi:

- Agățarea în piesa de prelucrat
- Străpungerea materialului de prelucrat
- Suprasolicitarea sculei electrice

Nu atingeți părțile mașinii aflate în rotație.

Scula introdusă poate să devină fierbinte în timpul utilizării.

AVERTISMENT! Pericol de arsuri

- la schimbarea sculei
- la depunerea aparatului

Rumegușul și spanul nu trebuie îndepărtate în timpul funcționării mașinii.

Când se lucrează pe pereți, tavan sau dușumea, aveți grijă să evitați cablurile electrice și țevile de gaz sau de apă.

Asigurați piesa de prelucrat cu un dispozitiv de fixare. Pieseale neasigurate pot provoca accidentări grave și stricăciuni.

Îndepărtați acumulatorul înainte de începerea lucrului pe mașina

Nu aruncați acumulatorii uzați la containerul de reziduri menajere și nu îi ardeți. AEG Distributors se oferă să recupereze acumulatorii vechi pentru protecția mediului înconjurător.

Nu depozitați acumulatorul împreună cu obiecte metalice (risca de scurtcircuit)

Folosii numai încărcătoare System GBS pentru încărcarea acumulatorilor System GBS. Nu folosii acumulatorii din alte sisteme.

Nu deschideți niciodată acumulatorii și încărcătoarele și pastrați-le numai în încăperi uscate. Pastrați-le întotdeauna uscate .

Acidul se poate scurge din acumulatorii deteriorați la încălzări sau temperaturi extreme. În caz de contact cu acidul din acumulator, spălați imediat cu apă și săpun.

În caz de contact cu ochii, clătiți cu atenție timp de cel puțin 10 minute și apelați imediat la îngrijire medicală.

UTILIZAȚI ÎNTOTDEAUNA UN MÂNER SUPPLEMENTAR când se folosește un acumulator cu capacitate de 9,0Ah sau mai mare; momentul de rotație al anumitor scule electrice se poate mari. Dacă mașina dvs. de înșurubat sau mașina de înșurubat cu percuție a fost livrată fără mâner suplimentar, vă rugăm să folosiți mânerul suplimentar de schimb (vezi desenul explodat al sculei electrice).

Nu introduceți capul de șurubelniță în timpul funcționării mașinii, cu butonul întrerupător nezăvorât. Capul de șurubelniță aflat în rotație poate cauza rănirea utilizatorului.

Avertizare! Pentru a reduce pericolul unui incendiu și evitarea rănilor sau deteriorarea produsului în urma unui scurtcircuit nu imersați scula, acumulatorul de schimb sau încărcătorul în lichide și asigurați-vă să nu pătrundă lichide în aparate și acumulatori. Lichidele corosive sau cu conductibilitate, precum apa sărată, anumite substanțe chimice și înalbitori sau produse ce conțin înalbitori, pot provoca un scurtcircuit.

CONDIȚII DE UTILIZARE SPECIFICE

Mașina electronică de găurit / de înșurubat, cu percuție cu acumulator este destinată găuririi, percutante precum și înșurubării, la utilizare independentă departe de surse de alimentare.

Nu utilizați acest produs în alt mod decât cel stabilit pentru utilizare normală

DECLARAȚIE DE CONFORMITATE

Declarăm pe propria răspundere că produsul descris la "Date tehnice" este în concordanță cu toate prevederile legale relevante ale Directivei 2011/65/EU (RoHS), 2014/30/UE, 2006/42/CE și cu următoarele norme armonizate:

EN 60745-1:2009 + A11:2010

EN 60745-2-1:2010

EN 55014-1:2017

EN 55014-2:2015

EN 50581:2012

Winnenden, 2018-02-08

Alexander Krug

Managing Director

Împuternicit să elaboreze documentația tehnică.

Techronic Industries GmbH

Max-Eyth-Straße 10

71364 Winnenden

Germany



ACUMULATORI

Acumulatorii care nu au fost utilizați o perioadă de timp trebuie reîncărcați înainte de utilizare.

Temperatura mai mare de 50°C (122°F) reduce performanța acumulatorului. Evitați expunerea prelungită la căldură sau radiație solară (risca de supraîncălzire)

Contactele încărcătoarelor și acumulatorilor trebuie păstrate curate.

Pentru o durabilitate optimă, acumulatorii trebuie reîncărcați complet după folosire.

Pentru o durată de viață cât mai lungă, acumulatorii ar trebui scoși din încărcător după încărcare.

La depozitarea acumulatorilor mai mult de 30 zile:

Acumulatorii se depozitează la cca. 27°C și la loc uscat.

Acumulatorii se depozitează la nivelul de încărcare de cca. 30%-50%.

Acumulatorii se încarcă din nou la fiecare 6 luni.

PROTECȚIE SUPRAÎNCĂRCARE ACUMULATOR

În caz de supraîncărcare a acumulatorului prin consum foarte ridicat de curent, de ex. cupluri mecanice extrem de mari, înțepirea burghiului, întrerupere bruscă sau scurtcircuit, unelă electrică produce timp de 2 secunde un zgomot infundat, după care se decuplează de la sinea.

În vederea recuperării, dați drumul butonului de comutare, iar apoi efectuați o nouă cuplare.

În condiții de încărcări extreme, acumulatorul se poate încălzi peste măsură. În acest caz, acumulatorul se decuplează.

Pentru a-l reîncărca și activa, puneți acumulatorul în în aparatul de încărcare.

TRANSPORTUL ACUMULATORILOR CU IONI DE LITIU

Acumulatorii cu ioni de litiu cad sub incidența prescripțiilor legale pentru transportul de mărfuri periculoase.

Transportul acestor acumulatori trebuie să se efectueze cu respectarea prescripțiilor și reglementărilor pe plan local, național și internațional.

Consumatorilor le este permis transportul rutier nerestricționat al acestui tip de acumulatori.

Transportul comercial al acumulatorilor cu ioni de litiu prin intermediul firmelor de expediție și transport este supus reglementărilor transportului de mărfuri periculoase. Pregătirile pentru expediție și transportul au voie să fie efectuate numai de către personal instruit corespunzător. Întregul proces trebuie asistat în mod competent.

Următoarele puncte trebuie avute în vedere la transportul acumulatorilor:

- Pentru a se evita scurtcircuite, asigurați-vă de faptul că sunt protejate și izolate contactele.
- Aveți grijă ca pachetul de acumulatori să nu poată aluneca în altă poziție în interiorul ambalajului său.
- Este interzis transportarea unor acumulatori deteriorați sau care pierd lichid.

Pentru indicații suplimentare adresați-vă firmei de expediție și transport cu care colaborați.

ÎNȚEȚINERE

Utilizați numai accesorii și piese de schimb AEG. Dacă unele din componente care nu au fost descrise trebuie înlocuite , vă rugăm contactați unul din agenții de service AEG (vezi lista noastră pentru service / garanție)

Dacă este necesar, puteți solicita de la centrul dvs. de service pentru clienți sau direct la Techronic Industries GmbH, Max-Eyth-Straße 10, 71364 Winnenden, Germania un desen descompus al aparatului prin indicarea tipului de aparat și a numărului cu șase cifre de pe tăblița indicatoare.

SIMBOLURI



PERICOL! AVERTIZARE! ATENȚIE!



Îndepărtați acumulatorul înainte de începerea lucrului pe mașina



Vă rugăm citii cu atenție instrucțiunile înainte de pornirea mașinii



Aparatele electrice, bateriile/acumulatorii nu se elimină împreună cu

deșeurile menajere.

Aparatele electrice și acumulatorii se colectează separat și se

predau la un centru de reciclare, în vederea eliminării ecologice.

Informați-vă de la autoritățile locale sau de la comercianții acreditați

în legătură cu centrele de reciclare și de colectare.



Viteza de mers în gol



Tensiune



Curent continuu



Marcaj CE



Marcaj național de conformitate Ucraina



Marcaj de conformitate EurAsian.

ТЕХНИЧКИ ПОДАТОЦИ	УДАРНА ДУПЧАЛКА НА БАТЕРИИ	BS18C2BL	BSB18C2BL
Произведен број.....		4674 89 01... ...000001-999999	4674 98 01... ...000001-999999
Капацитет на дупчење во челик.....		13 mm	13 mm
Капацитет на дупчење во дрво.....		40 mm	40 mm
Капацитет на дупчење во тули и плочки.....		6 mm	13 mm
Шрафови во дрво (без предходно дупчење).....		0-500 min ⁻¹	0-500 min ⁻¹
Брзина без оптоварување, 1ва брзина.....		0-1950 min ⁻¹	0-1950 min ⁻¹
Брзина без оптоварување, 2ра брзина.....		- min ⁻¹	0-6500 min ⁻¹
Големинa на удар, 1ва брзина.....		- min ⁻¹	0-25350 min ⁻¹
Големинa на удар, 2ра брзина.....		60 Nm	60 Nm
Спрега торк *1 (1,5 Ah / 2,0 Ah).....		65 Nm	65 Nm
Спрега торк *1 (3,0 Ah / 4,0 Ah).....		18 V	18 V
Волтажa на батеријата.....		1,5-13 mm	1,5-13 mm
Опсег на отворање на бушотина.....		1,7 kg	1,8 kg
Тежина според ЕПТА-процедурата 01/2003 (1,5 Ah / 2,0 Ah).....		1,9 kg	2,0 kg
Тежина според ЕПТА-процедурата 01/2003 (3,0 Ah / 4,0 Ah).....	-18...+50 °C	
Препорачана температура на околината при работа.....		L1840R, L1830R, L1820R, L1815R	
Препорачани типови на акумулаторски батерии.....		BL1218	
Препорачани полначи.....			

Информација за бучавата/вибрациите

Измерените вредности се одредени согласно стандардот EN 60745.

Типично очекувано ниво на звучен притисок на алатот е:

Ниво на звучен притисок (Несигурност K=3dB(A)).....

Ниво на јачина на звук (Несигурност K=3dB(A)).....

Носте штитник за уши.

Вкупни вибрациски вредности (векторски збир на трите насоки) пресметани согласно EN 60745.

Вибрациска емисиона вредност a _h			
Перкусиско дупчење во бетона _h	9 m/s ²	
Несигурност K =	1,5 m/s ²	
Дупчење во метал I _{a,d}	< 2,5 m/s ²	< 2,5 m/s ²
Несигурност K =	1,5 m/s ²	1,5 m/s ²
Зашрафување a _h	< 2,5 m/s ²	< 2,5 m/s ²
Несигурност K =	1,5 m/s ²	1,5 m/s ²

*1 Мериња во зависност од AEG норма N 877318

ПРЕДУПРЕДУВАЊЕ

Нивото на осцилација наведено во овие инструкции е измерено во согласност со мерните постапки нормирани во EN 60745 и може да биде употребено за меѓусебна споредба на електро-алати. Ова ниво може да се употреби и за привремена проценка на оптоварувањето на осцилацијата.

Наведеното ниво на осцилација ги репрезентира главните намени на електро-алатот. Но, доколку електро-алатот се употребува за други намени, со отстапувачки додатоци или со несоодветно одржување, нивото на осцилација може да отстапи. Тоа може значително да го зголеми оптоварувањето на осцилацијата за време на целиот работен период. За прецизна проценка на оптоварувањето на осцилацијата предвид треба да бидат земени и во времињата, во коишто апаратот е исклучен или работи, но фактички не се употребува. Тоа може значително да го намали оптоварувањето на осцилацијата за време на целиот работен период.

Увердете дополнителни безбедносни мерки за заштита на операторот од влијанието на осцилациите, како на пример: одржување на електро-алатот и на додатоци кон електро-алатот, одржување топли раце, организација на работните процеси.

⚠ ПРЕДУПРЕДУВАЊЕ! Прочитајте ги сите безбедносни упатства, инструкции, илустрации и спецификации за овој електричен алат. Недоследно почитување на подолу наведените упатства може да предизвика електричен удар, пожар и/или сериозни повреди.

⚠ БЕЗБЕДНОСНИ НАПОМЕНИ ЗА ПЕРКУСИОНИ БОРМАШИНИ

При работата со перкуссионата бормашина носете заштита за ушите. Влијанието на buka може да предизвика губење на сетилото за слух.

Користете помошни рачки кои доаѓаат заедно со алатот. Губењето контрола може да предизвика повреда.

Пред почетокот на работата сфатите ја алатката цврсто за рачката. Оваа алатка произведува висок вртежен момент и ако не ја држите цврсто за време на работата, може да ја изгубите контролата и да се повредите.

Држете го електричниот алат за изддените површини при изведување на операции при кои алатот за сечење можат да дојдат во контакт со скриени жици или сопствениот гajтан.

Контакт со жица под напон исто така ќе направи проводници од металните делови и оној кој ракува со алатот ќе доживее струен удар.

Никогаш не ракувајте со поголема брзина од максималната брзина која е одредена за вехбата за бушење. При поголема брзина, вехбата може да се искриви кога се ротира без контакт со работното парче, што може да резултира со лична повреда.

Скогаш започнувајте со мала брзина и додека вехбата е во контакт со работното парче. При поголема брзина, вехбата може да се искриви кога се ротира без контакт со работното парче, што може да резултира со лична повреда.

Скогаш применувајте го притисокот во директна насока со вехбата за бушење и не притискајте премногу напорно. Вехбите за бушење можат да се искриват и да се скршат или да резултираат со губење на контролата над алатката, што може да доведе до лична повреда.

ТЕХНИЧКИ ПОДАТОЦИ	УДАРНА ДУПЧАЛКА НА БАТЕРИИ	BS18C2BL	BSB18C2BL
Произведен број.....		4674 89 01... ...000001-999999	4674 98 01... ...000001-999999
Капацитет на дупчење во челик.....		13 mm	13 mm
Капацитет на дупчење во дрво.....		40 mm	40 mm
Капацитет на дупчење во тули и плочки.....		6 mm	13 mm
Шрафови во дрво (без предходно дупчење).....		0-500 min ⁻¹	0-500 min ⁻¹
Брзина без оптоварување, 1ва брзина.....		0-1950 min ⁻¹	0-1950 min ⁻¹
Брзина без оптоварување, 2ра брзина.....		- min ⁻¹	0-6500 min ⁻¹
Големинa на удар, 1ва брзина.....		- min ⁻¹	0-25350 min ⁻¹
Големинa на удар, 2ра брзина.....		60 Nm	60 Nm
Спрега торк *1 (1,5 Ah / 2,0 Ah).....		65 Nm	65 Nm
Спрега торк *1 (3,0 Ah / 4,0 Ah).....		18 V	18 V
Волтажa на батеријата.....		1,5-13 mm	1,5-13 mm
Опсег на отворање на бушотина.....		1,7 kg	1,8 kg
Тежина според ЕПТА-процедурата 01/2003 (1,5 Ah / 2,0 Ah).....		1,9 kg	2,0 kg
Тежина според ЕПТА-процедурата 01/2003 (3,0 Ah / 4,0 Ah).....	-18...+50 °C	
Препорачана температура на околината при работа.....		L1840R, L1830R, L1820R, L1815R	
Препорачани типови на акумулаторски батерии.....		BL1218	
Препорачани полначи.....			

Информација за бучавата/вибрациите

Измерените вредности се одредени согласно стандардот EN 60745.

Типично очекувано ниво на звучен притисок на алатот е:

Ниво на звучен притисок (Несигурност K=3dB(A)).....

Ниво на јачина на звук (Несигурност K=3dB(A)).....

Носте штитник за уши.

Вкупни вибрациски вредности (векторски збир на трите насоки) пресметани согласно EN 60745.

Вибрациска емисиона вредност a _h			
Перкусиско дупчење во бетона _h	9 m/s ²	
Несигурност K =	1,5 m/s ²	
Дупчење во метал I _{a,d}	< 2,5 m/s ²	< 2,5 m/s ²
Несигурност K =	1,5 m/s ²	1,5 m/s ²
Зашрафување a _h	< 2,5 m/s ²	< 2,5 m/s ²
Несигурност K =	1,5 m/s ²	1,5 m/s ²

*1 Мериња во зависност од AEG норма N 877318

ПРЕДУПРЕДУВАЊЕ

Нивото на осцилација наведено во овие инструкции е измерено во согласност со мерните постапки нормирани во EN 60745 и може да биде употребено за меѓусебна споредба на електро-алати. Ова ниво може да се употреби и за привремена проценка на оптоварувањето на осцилацијата.

Наведеното ниво на осцилација ги репрезентира главните намени на електро-алатот. Но, доколку електро-алатот се употребува за други намени, со отстапувачки додатоци или со несоодветно одржување, нивото на осцилација може да отстапи. Тоа може значително да го зголеми оптоварувањето на осцилацијата за време на целиот работен период. За прецизна проценка на оптоварувањето на осцилацијата предвид треба да бидат земени и во времињата, во коишто апаратот е исклучен или работи, но фактички не се употребува. Тоа може значително да го намали оптоварувањето на осцилацијата за време на целиот работен период.

Увердете дополнителни безбедносни мерки за заштита на операторот од влијанието на осцилациите, како на пример: одржување на електро-алатот и на додатоци кон електро-алатот, одржување топли раце, организација на работните процеси.

⚠ БЕЗБЕДНОСНИ НАПОМЕНИ ЗА ЗАШТРАФУВАЊЕ

При реализација на работи, при кои завртката може да погоди скриени водови на струја, држете го апаратот на изолираните површини за држење. Контактот на навртката со вод под напон може да ги стави металните делови од апаратот под напон и да доведе до електричен удар.

ОСТАНАТИ БЕЗБЕДНОСНИ И РАБОТНИ УПАТСТВА

Употребувајте заштитна опрема. При работа со машината постојано носете заштитни очила. Се препорачува заштитна облека како: маска за заштита од прашина, заштитни ракавици, цврсти чевли што не се лизгаат, кацига и заштита за уши.

Пршината која се создава при користење на овој алат може да биде штетна по здравјето. Не ја вдишувајте. Носете соодветна заштитна маска. Не смеат да бидат обработувани материјали кои што можат да го загорзат здравјето (на пр. азбест).

Доколку употребуваното орудие се блокира, молиме веднаш да се исклучи апаратот! Не го вклучувајте апаратот повторно додека употребуваното орудие е блокирано; притоа би можело да дојде до повратен удар со висок момент на реакција. Испитајте и отстранете ја причината за блокирањето на употребеното орудие имајќи ги во предвид напомените за безбедност.

Можни причини би можеле да се:

- Заканување во парчето кое што се обработува
- Кршење поради продирање на материјалот кој што се обработува
- Преоптоварување на електричното орудие

Не фаќајте во машината кога работи.

Употребеното орудие за време на примената може да стане многу жешко.

ПРЕДУПРЕДУВАЊЕ! Опасност од изгоретини

- при менување на орудитео
- при ставање на апаратот на страна

Прашината и струготините не смеат да се одстрануваат додека е машината работи.

Кога работите на сидови, таван или под внимавајте да ги избегнете електричните, гасните и водоводни инсталации.

Обезбедете го предметот кој што го обработувате со направа за напон. Необезбедени парчиња кои што се обработуваат можат да предизвикаат тешки повреди и оштетувања.

Извадете го батеријскиот склоп пред отпочнување на каков и да е зафат врз машината. Не ги оставајте искористените батерии во домашниот отпад и не горете ги. Дистрибутерите на Милвоки ги собираат старите батерии, со што ја штитат нашата околина.

Не ги чувајте батериите заедно со метални предмети (ризик од краток спој).

Користете исклучиво Систем GBS за полнење на батерии од GBS систем. Не користете батерии од друг систем.

Не ги отворајте насилино батериите и полначите, и чувајте ги само на суво место.

Чувајте ги постојано суви.

Киселината од оштетените батериите може да истече при екстремн напон или температури. Доколку дојдете во контакт со исатата, измијте се веднаш со сапун и вода. Во случај на контакт со очите планките ги убаво најмалку 10 минути и задолжително одете на лекар.

СЕКОГАШ КОРИСТЕТЕ ДОПОЛНИТЕЛНА РАЧКА, ако користите батерија со капацитет од 9,0 Ah или повеќе; вртежниот момент на некои електрични алатки може да се зголеми. Ако бормашината или ударната дупчалка е испорачана без дополнителна рачка, користете го резервниот дел на дополнителната рачка (погледнете Детален приказ на електричната алатка).

Не го кладете одрвувачот кога машината работи и копчето за вклучување не е блокирано. Ротирачкиот одрвувач може да го нарани корисникот на машината.

Предупредување! За да избегнете опасноста од пожар, од наранувања или од оштетување на производот, којшто ги создава краток спој, не ја потопувајте во течност алатката, заменувајте батерија или полначот и пазете во уредите и во батериите да не проникнуваат течности. Корозивни или електропроводливи течности, како солена вода, одредени хемикалии, избулвачки препарати или производи кои содржат избулвачки сулстанции, можат да предизвикаат краток спој.

СПЕЦИФИЦИРАНИ УСЛОВИ НА УПОТРЕБА

Перкуссионата дупчалка/шрафцигер со електронска батерија е дизајниран за дупчење, перкусионо дупчење, како и шрафцигер при независна употреба далеку од главното напојување.

Не го користете овој производ на било кој друг начин освен пропишаниот за нормална употреба.

ЕУ-ДЕКЛАРАЦИЈА ЗА СООБРАЗНОСТ

Во своја сопствена одговорност изјавуваме дека под "Технички податоци" опишаниот производ е во склад со сите релевантни прописи од регулативата 2011/65/EU (RoHS), 2014/30/EU, 2006/42/EC и следните хармонизирачки нормативни документи:

EN 60745-1:2009 + A11:2010

EN 60745-2-1:2010

EN 55014-1:2017

EN 55014-2:2015

EN 50581:2012

Winnenden, 2018-02-08



Alexander Krug
Managing Director



Ополномощен за составување на техничката документација.

Techtronic Industries GmbH

Max-Eyth-Straße 10

71364 Winnenden

Germany

Тогаш ставате ја батеријата во уредот за полнење за повторно да ја напоните и активирате.

ТРАНСПОРТ НА ЛИТИУМ-ЈОНСКИ БАТЕРИИ

Литиум-јонските батерии подлежат на законските одредби за транспорт на опасни материи.

Транспорот на овие батерии мора да се врши согласно локалните, националните и меѓународните прописи и одредби.

• Потрошувачите на овие батерии може да вршат непречен патен транспорт на истите.

• Комерцијалниот транспорт на литиум-јонски батерии од страна на шпедитерски претпријатија подлежат на одредбите за транспорт на опасни материи. Подготовките за шпедиција и транспорт треба да ги вршат исклучиво соодветно обучени лица. Целокупниот процес треба да биде стручно надгледуван.

При транспортот на батерии треба да се внимава на следното:

- Осигурајте се дека контактите се заштитени и изолирани, а сето тоа со цел да се избегнат кратки споеви.
- Внимавајте да не дојде до измествување на батериите во нивната амбалажа.
- Забранет е транспорт на оштетени или протечени литиум-јонски батерии.


За понатамошни инструкции обратете се до Вашето шпедитерско претпријатие.


ОДРЖУВАЊЕ


Користете само AEG додатоци и резервни делови. Доколку некои од компонентите кои не се опишани треба да бидат заменети, Ве молиме контактирајте ги сервисните агенти на AEG (консултирајте ја листата на адреси).


При потреба може да се побара експлозионен цртеж на апаратот со наведување на машинскиот тип и шестоцифрениот број на табличката со учиниот или во Вашата корисничка служба или директно кај Techtronic Industries GmbH, Max-Eyth-Straße 10, 71364 Winnenden, Германија.

СИМБОЛИ

 ВНИМАНИЕ! ПРЕДУПРЕДУВАЊЕ! ОПАСНОСТ!

 Извадете го батеријскиот склоп пред отпочнување на каков и да е зафат врз машината.

 Ве молиме пред да ја стартувате машината наберете внимание на упатствата за употреба.

 Електричните апарати и батериите што се полнат не смеат да се фрлат заедно со домашниот отпад. Електричните апарати и батериите треба да се собираат оделно и да се однесат во соодветниот погон заради нивно фрлање во склад со начелата за заштита на околината. Информирајте се кај Вашите местни служби или кај специјализираниот трговски претставник, каде има такви погони за рециклажа и собираи станици.

n_n Брзина без оптоварување

v Волти

--- Истосмерна струја

 CE-знак

ТЕХНІЧНІ ХАРАКТЕРИСТИКИ	АКУМУЛЯТОРНИЙ УДАРНИЙ ДРИЛЬ-ГВИНТОКРУТ	BS18C2BL	BSB18C2BL
Номер виробу.....	4674 89 01.....	4674 98 01.....	000001-999999
Ø свердління сталі.....	13 mm	13 mm	
Ø свердління деревини.....	40 mm	40 mm	
Свердління в цеглі та силікатній цеглі.....	13 mm	13 mm	
Шуруп для деревини.....	6 mm	6 mm	
Кількість обертів холостого ходу 1 передача / 2 передача.....	0-500 min ⁻¹	0-500 min ⁻¹	
Кількість обертів холостого ходу 1 передача / 2 передача.....	0-1950 min ⁻¹	0-1950 min ⁻¹	
Кількість ударів під навантаженням 1 передача / 2 передача.....	- min ⁻¹	0-6500 min ⁻¹	
Кількість ударів під навантаженням 1 передача / 2 передача.....	- min ⁻¹	0-25350 min ⁻¹	
Крутильний момент *1 (3,0 Ah).....	60 Nm	60 Nm	
Крутильний момент *1 (4,0 Ah).....	65 Nm	65 Nm	
Напруга змінної акумуляторної батареї.....	18 V	18 V	
Ділянка затискання свердильного патрона.....	1,5-13 mm	1,5-13 mm	
Вага згідно з процедурою EPTA 01/2003 (1,5 Ah).....	1,7 kg		
Вага згідно з процедурою EPTA 01/2003 (3,0 Ah).....	1,9 kg		
Рекомендована температура довільна під час роботи.....	-18...+50 °C		
Рекомендовані типи акумуляторів.....	L1840R, L1830R, L1820R, L1815R		
Рекомендовані зарядні пристрої.....	BL1218		

Шум / інформація про вібрацію

Вимірні значення визначені згідно з EN 60745.

Рівень шуму "А" приладу становить в типовому випадку:		
Рівень звукового тиску (похибка K = 3 дБ(А)).....	87,5 dB (A)	87,5 dB (A)
Рівень звукової потужності (похибка K = 3 дБ(А)).....	98,5 dB (A)	98,5 dB (A)

Використовувати засоби захисту органів слуху!

Сумарні значення вібрації (векторна сума трьох напрямків), встановлені згідно з EN 60745.

Значення вібрації a _v		
Ударне свердління бетону a _{v,ud}		9 m/s ²
похибка K =.....		1,5 m/s ²
Свердління в металі a _{v,d}	< 2,5 m/s ²	< 2,5 m/s ²
похибка K =.....	1,5 m/s ²	1,5 m/s ²
Пригвинчування a _v	< 2,5 m/s ²	< 2,5 m/s ²
похибка K =.....	1,5 m/s ²	1,5 m/s ²
*1 Вимірюється за стандартом AEG N 877318		

ПОПЕРЕДЖЕННЯ!

Рівень вібрації, вказаний в цій інструкції, вимірювався згідно з методом вимірювання, нормованим стандартом EN 60745, і може використовуватися для порівняння електроінструментів. Він призначений також для попередньої оцінки навантаження від вібрації.

Вказаний рівень вібрації відповідає основним сферам використання електроінструменту. Але якщо електроінструмент використовується для іншої мети, з іншими вставними інструментами або при недостатньому технічному обслуговуванні, рівень вібрації може бути іншим. Це може значно підвищити навантаження від вібрації за весь період роботи. Для точної оцінки навантаження від вібрації необхідно також враховувати час, коли прилад виконаний або увімкнений, але фактично не використовується. Це може значно зменшити навантаження від вібрації за весь період роботи.

Визначте додаткові заходи безпеки для захисту оператора від дії вібрації, наприклад: Технічне обслуговування електроінструменту та вставних інструментів, зігрівання рук, організація робочих процесів.

⚠ УВАГА! Ознайомитись з усіма попередженнями з безпечної використання, інструкціями, ілюстративним матеріалом та технічними характеристиками, які надаються з цим електричним інструментом. Недотримання всіх наведених вище інструкцій може призвести до ураження електричним струмом, пожежі та/або важких травм.

⚠ ВКАЗІВКИ З ТЕХНІКИ БЕЗПЕКИ ДЛЯ ДРИЛІВ

Використовуйте засоби захисту органів слуху при ударному свердлінні. Вплив шуму може спричинити втрату слуху.

Користуйтеся додатковими рукавками, що поставляються разом з пристроєм, якщо вони входять в комплект поставки. Втрата контролю може призвести до пошкоджень.

Перед початком роботи надійно утримуйте пристрій за допомогою передбаченої для цього ручки. Цей пристрій створює високий крутильний момент на вихідному валу, тому якщо міцно не тримати його під час роботи, можна втратити над ним контроль і отримати пошкодження.

Під час виконання робіт тримайте прилад за ізольовані поверхні рукояток, якщо вставний інструмент може натрапити на приховані електричні лінії або власний мережевий кабель.

Контакт з лінією під напругою може призвести до появи напруги в металевих частинах приладу та до ураження електричним струмом.

Ніколи не застосовуйте більш високу швидкість, ніж максимальна швидкість, вказана для свердла. На більш високих швидкостях свердло може зігнути, якщо обертатиметься без контакту з оброблюваним виробом, що може призвести до пошкодження.

Завжди починайте роботу на низькій швидкості і коли свердло контактує з оброблюваним виробом. На більш високих швидкостях свердло може зігнути, якщо обертатиметься без контакту з оброблюваним виробом, що може призвести до пошкодження.

Завжди застосовуйте тиск виключно вздовж осі свердла і не натискайте надто сильно. Свердла можуть зітнатися і ламатися або призводити до втрати контролю над пристроєм, що в свою чергу також може призвести до пошкоджень.

BS18C2BL	BSB18C2BL
4674 89 01.....	4674 98 01.....
000001-999999	000001-999999
13 mm	13 mm
40 mm	40 mm
13 mm	13 mm
6 mm	6 mm
0-500 min ⁻¹	0-500 min ⁻¹
0-1950 min ⁻¹	0-1950 min ⁻¹
- min ⁻¹	0-6500 min ⁻¹
- min ⁻¹	0-25350 min ⁻¹
60 Nm	60 Nm
65 Nm	65 Nm
18 V	18 V
1,5-13 mm	1,5-13 mm
1,7 kg	
1,9 kg	
-18...+50 °C	
L1840R, L1830R, L1820R, L1815R	
BL1218	

Закріплювати заготовку в затиску пристрої. Незакріплені заготовки можуть привести до тяжких травм та пошкоджень.

Перед будь-якими роботами на машині виїняти змінну акумуляторну батарею. Відпрацьовані знімі акумуляторні батареї не можна кидати у вогонь або викидати з побутовими відходами. АЕГ пропонує утилізацію старих знімних акумуляторних батарей, безпечно для довкілля; зверніться до свого дилера.

Не зберігати знімі акумуляторні батареї разом з металевими предметами (небезпека короткого замикання).

Знімі акумуляторні батареї системи GBS заряджати лише зарядними пристроями системи GBS. Не заряджати акумуляторні батареї інших систем.

Не відкривати знімі акумуляторні батареї і зарядні пристрої та зберігати їх лише в сухих приміщеннях. Беретись від вологі.

При екстремальному навантаженні або при екстремальній температурі з пошкодженої змінної акумуляторної батареї може виплати електродит. При потрапленні електроліту на шкіру його негайно необхідно змити водою з милом. При потрапленні в очі їх необхідно негайно ретельно промити, щонайменше 10 хвилин, та негайно звернутися до лікаря.

ЗАВЖДИ ВИКОРИСТОВУВАТИ ДОДАТКОВУ РУКОЯТКУ, коли використовується акумулятор ємністю 9,0 Аг або вище: крутильний момент електроінструменту може збільшитися. Якщо ваш гвинтокрут або перфоратор поставляється без додаткової рукоятки, будь ласка, використовуйте запасну частину додаткової рукоятки (див. креслення з зображенням електроінструменту).

Не вставляйте насадку, коли інструмент працює і кнопка вимикача не заблокована. Насадка, що обертається, може травмувати користувача.

Попередження! Для запобігання небезпеці пожежі в результаті короткого замикання, травмів і пошкодженню виробів не занурюйте інструмент, змінний акумулятор або зарядний пристрій у рідину і не допускайте потраплення рідини всередину пристроїв або акумуляторів. Корозійні і струмопровідні рідини, такі як солоний розчин, певні хімікати, вибілювальні засоби або продукти, що їх містять, можуть призвести до короткого замикання.

ВИКОРИСТАННЯ ЗА ПРИЗНАЧЕННЯМ

Ударний дріль/гвинтокрут можна використовувати універсально для свердління, ударного свердління, пригвинчування.

Цей прилад можна використовувати тільки за призначенням так, як вказано в цьому документі.

СЕРТИФІКАТ ВІДПОВІДНОСТІ ВИМОГАМ ЄС

Ми заявляємо на власну відповідальність, що виріб, описаний в „Технічних даних“, відповідає всім застосовним положенням директиви 2011/65/EU (RoHS), 2014/30/EU, 2006/42/EG, та наступним гармонізованим нормативним документам:

EN 60745-1:2009 + A11:2010

EN 60745-2-1:2010

EN 55014-1:2017

EN 55014-2:2015

EN 50581:2012

Winnenden, 2018-02-08

Alexander Krug
 Alexander Krug
 Managing Director
 Уповноважений із складання технічної документації.
 Techtronic Industries GmbH
 Max-Eyth-Straße 10
 71364 Winnenden
 Germany



АКУМУЛЯТОРНІ БАТАРЕЇ

Змінну акумуляторну батарею, що не використовувалася тривалий час, перед використанням необхідно підзарядити.

Температура понад 50 °C зменшує потужність змінної акумуляторної батареї. Уникайте тривалого нагрівання сонячними променями або системою обігріву.

З'єднувальні контакти зарядного пристрою та змінної акумуляторної батареї повинні бути чистими.

Для забезпечення оптимального строку експлуатації акумуляторні батареї після використання необхідно повністю зарядити.

Для забезпечення максимально можливого терміну експлуатації акумуляторні батареї після зарядки необхідно вимити з зарядного пристрою.

При зберіганні акумуляторної батареї понад 30 днів:

Зберігати акумуляторну батарею при температурі приблизно 27 °C в сухому місці.

Зберігати акумуляторну батарею в стані зарядки приблизно 30-50 %.

Кожні 6 місяців знову заряджати акумуляторну батарею.

ЗАХИСТ АКУМУЛЯТОРНОЇ БАТАРЕЇ ВІД ПЕРЕВАНТАЖЕННЯ

При перевантаженні акумуляторної батареї внаслідок занадто великого споживання струму, наприклад, при занадто високому крутильному моменту, заклинованні пилкового диску, раптової зустрічі або короткому замиканню, електроінструмент зупиняється на 2 секунди та самостійно вимикається.

Для повторного увімкнення відпустити кнопку вимикача і знов увімкнути.

При надзвичайному навантаженні акумуляторна батарея може дуже сильно нагрітись. В такому випадку акумуляторна батарея вимикається..

ТРАНСПОРТУВАННЯ ЛІТІЙ-ІОННИХ АКУМУЛЯТОРНИХ БАТАРЕЙ

Літій-іонні акумуляторні батареї підпадають під закономірності про перевезення небезпечних вантажів.

Транспортування таких акумуляторних батарей повинно відбуватися із дотриманням місцевих, національних та міжнародних приписів та положень.

- споживачі можуть без проблем транспортувати ці акумуляторні батареї по вулиці.
- Комерційне транспортування літій-іонних акумуляторних батарей експедиторськими компаніями підпадає під положення про транспортування небезпечних вантажів. Підготовку до відправлення та транспортування можуть здійснювати виключно особи, які пройшли відповідне навчання. Весь процес повинні контролювати кваліфіковані фахівці.

При транспортуванні акумуляторних батарей необхідно дотримуватись зазначених діл пунктів:

- Переконайтеся в тому, що контакти захищені та ізольовані, щоб запобігти короткому замиканню.
- Слідкуйте за тим, щоб акумуляторна батарея не переміщувалася всередині упаковки.
- Пошкоджені акумуляторні батареї, або акумуляторні батареї, що потекли, не можна транспортувати.

Для отримання подальших вказівок звертайтеся до своєї експедиторської компанії.

ОБСЛУГОВУВАННЯ

Використовувати комплектуючі та загчастини тільки від АЕГ. Деталі, заміна яких не опитується, замінювати тільки в відділі обслуговування клієнтів АЕГ (зверніть увагу на брошуру "Таранти / адреси сервісних центрів").

У разі необхідності можна запросити креслення з зображенням вузлів машини в перспективному вигляді, для цього потрібно звернутися в ваш відділ обслуговування клієнтів або безпосередньо в Techtronic Industries GmbH, Max-Eyth-Straße 10, 71364 Winnenden, Німеччина, та вказати тип машини та шестизначний номер на фірмовій табличці з даними машини.

СИМВОЛИ

	УВАГА! ПОПЕРЕДЖЕННЯ! НЕБЕЗПЕЧНО!
	Перед будь-якими роботами на машині виїняти змінну акумуляторну батарею
	Уважно прочитайте інструкцію з експлуатації перед введенням приладу в дію.
	Електроприлади, батареї/акумулятори заборонено утилізувати разом з побутовим сміттям. Електричні прилади і акумулятори слід збирати окремо і здавати в спеціалізовану компанію для утилізації відповідно до норм охорони довкілля. Зверніться до місцевих органів або до вашого дилера, щоб отримати адреси пунктів вторинної переробки та пунктів прийому.
n	Кількість обертів холостого ходу
v	Напруга
	Постійний струм
	Знак CE
	Національний знак відповідності для України
TR 066	
	Знак відповідності для Європи та Азії EurAsian

البيانات الفنية	مقاس/نمط الحفر النطاق العالمي	BS18C2BL	BSB18C2BL
إنتاج عند.....	٠٠٠000١-999999	4٦74 89 01	4٦74 98 0١
قدرة الحفر في المعادن.....	mm 13	mm 13	mm 13
قدرة الحفر في الخشب اللين.....	mm 40	mm 40	mm 40
قدرة الحفر في الطوب والبلاط.....	mm 6	mm 6	mm 6
مسامير الخشب (دون الحفر المسبق).....	min⁠1 0-500	min⁠1 0-500	min⁠1 0-500
السريعة في حالة عدم وجود حمل، الترس الأول.....	min⁠1 0-1950	min⁠1 0-1950	min⁠1 0-1950
السريعة في حالة عدم وجود حمل، الترس الثاني.....	min⁠1 0-6500	min⁠1 -	min⁠1 0-6500
معدل التصادم.....	min⁠1 0-25350	min⁠1 -	min⁠1 0-25350
معدل التصادم.....	Nm 60	Nm 60	Nm 60
الزرم 1* (2,0 Ah 1,5).....	Nm 65	Nm 65	Nm 65
الزرم 1* (3,0 Ah 4,0).....	V 18	V 18	V 18
قواطع البطارية.....	mm 1,5-13	mm 1,5-13	mm 1,5-13
نطاق طرف المقاب.....	kg 1,8	kg 1,7	kg 1,8
الوزن وفقا لنوع EPTA رقم 01/2003.....	kg 2,0	kg 1,9	kg 2,0
الوزن وفقا لنوع EPTA رقم 01/2003.....	°C +50....-18		°C +50....-18
درجة حرارة الجو المحيط المنصوح بها عند العمل.....	L1840R, L1830R, L1820R, L1815R.....		L1840R, L1830R, L1820R, L1815R.....
طرز اطرز البطارية المنصوح به.....	BL1218.....		BL1218.....
أجهزة الشحن المنصوح بها.....			

معلومات الضوضاء/التهتات

القيم التي تم قياسها محددة وفقا للمعايير الأوروبية EN 60745

مستويات ضوضاء الجهاز، ترجيح أ بشكل نمونجي كالتالي:

مستوى ضغط الصوت (الارتياح في القياس = 3 ديسيبل (A))

مستوى شدة الصوت (الارتياح في القياس = 3 ديسيبل (A))

ارتك وقياس الأثن!

قيم التهتات الإجمالي (مجموع الكميات الموجبة في المحاور الثلاثة) محددة وفقا للمعايير الأوروبية EN 60745	٠
قيمة انبعث التهتات (ah)	٠
الحفر النطاق في الخرسانة	a _{h,١0}
الارتياح في القياس	٠
تف المعادن	I _a
الارتياح في القياس	٠
ربط المسامير	a _r
الارتياح في القياس	٠
* تم قياسه وفقا لمعيار AEG N 877318	

تحذير!

تم قياس مستوى انبعث التهتات الموجود بوثقبة المعلومات هذه وفقا للاختبار القياسي وفقا للمعايير الأوروبية EN 60745 ويمكن استخدامه لمقارنة جهاز بغيره كما يمكن استخدامه لعرض تقييم تمهيدي.

إذا مثل مستوى انبعث التهتات المعان عنه تطبيقات الجهاز الرئيسية. بالرغم من ذلك، فإنه إذا ما تم استخدام الجهاز لتطبيقات مختلفة، وملحقات مختلفة أو لم يتم المحافظة عليه، قد يختلف انبعث التهتات. قد يزيد ذلك بصورة كبيرة من مستوى التعرض للتهتات طوال فترة العمل الإجمالية.

يجب الوضع في الاعتبار عند تقدير مستوى التعرض للتهتات مرات إيقاف الجهاز أو تشغيله لكن دون استخدامه في القيام بمهمة. قد يقل ذلك بصورة كبيرة من مستوى التعرض للتهتات طوال فترة العمل الإجمالية.

تعليم على معاير السلامة الإضافية لحماية المشكل من أثار التهتات مثل: صيانة الجهاز والملحقات، الحفاظ على دف اليدوي، وتنظيم نمادج العمل.

⚠ تحذير إقرأ جميع تحذيرات الأمان والتعليمات والصور والمواصفات الواردة مع هذه المعدة الكهربائية. المخالفة في اتباع التعليمات المذكورة أسفله قد يكون نتيجتها صدمة كهربائية، حريق و / أو إصابة بالغة.

تحذيرات السلامة عند استخدام المثقب

د وإيقاف الأثن عند استخدام المثقب. ارتد قد يسبب التعرض للضوضاء إلى فقدان السمع.

استخدم المقابض الإضافية، إذا كانت مرفعة مع الإلاد. **قد يسبب فقدان السيطرة حدوث إصابة شخصية.**

اسكك الجهاز بإحكام قبل بداية العمل من المقابض المخصص لذلك. **نتجج هذا الجهاز عزم دوران عالي، وإذا كنت لا تُسكك جيدا جيدا أثناء التشغيل، فإنه قد تتلف السيطرة عليه وتتسبب في إصابة نفسك.**

اسكك الآلة الكهربائية من أسطح الفيض المعزولة فقط، وذلك عند القيام بعملية قد يلمس فيها أحد ملحقات آلة القطع

أسلاك مخفية أو السلك الخاص بها.

تثبيت ملاسمة احد ملحقات آلة القطع بسكك كهربي بـ"موصلة" في جبل الأجزاء المعنية المكشوفة بالأالة الكهربائية

موصلة كهربيا مما يجعل المشكل عرضة لصدمة كهربائية.

لا تُستخدم أبدا عزم دوران أعلى من القيمة القصوى لعزم الدوران المنصوص عليها في مجموعة الحفر. في حالة

استخدام عزم دوران أعلى قد تنتج مجموعة الحفر إذا كانت تتور دون ملاسمة قطعة العمل، الأمر الذي قد يؤدي إلى وقوع إصابات.

ابدا العمل دائما بعزم دوران منخفض، مع ملاسمة عدة الحفر مع قطعة العمل أثناء ثنك. في حالة استخدام عزم دوران أعلى قد تنتج مجموعة الحفر إذا كانت تتور دون ملاسمة قطعة العمل، الأمر الذي قد يؤدي إلى وقوع إصابات. **ابق الضغط دائما في اتجاه مباشر على مجموعة الحفر،** ولا تضغط أبدا بإحكام بلفج. قد تنتج مجموعة الحفر وتتسكّر أو ينجم عن ذلك فقدان السيطرة على الجهاز، الأمر الذي قد يؤدي إلى وقوع إصابات.

تحذيرات السلامة عند استخدام مفك الرغ

يجب الإسكك بالأالة الكهربائية من خلال أسطح الفيض المعزولة وذلك عند القيام بعمله ما حيث قد تلامس أداة التثبيت

أسلاك مخفية.

إن ملاسمة أدوات التثبيت للأسلاك الكهربائية بـ"موصلة" قد يجعل الأجزاء المعنية المكشوفة من الآلة الكهربائية

بـ"موصلة للكهرباء" وبالتالي فقد يجعل المشكّل عرضة لصدمة كهربية.

إرشادات امان و عمل إضافية

استخدم معدة الرولية إرتد دائما نظارة الرولية عند العمل بالأالة. ينصح باستخدام الملابس الواقية مثل الكمامات الواقية من الغبار، والفتاقات، والأحذية القوية غير المزلقة، والحوادث، وواقبات الأثن.

قد تكون الأثرية الناتجة عن استخدام هذه الآلة ضارة بالصحة. لا تستنشق هذا الأثرية. إرتد قناعا و واقيا من الأثرية مناسبًا.

لا يجوز استخدام مواد ينجم عنها أضرار على الصحة (حبريز صخري).

احرص دائما على استخدام مقبض إضافي عند استخدام بطارية بفترة ٩,0 أمبير ساعة أو أعلى، عزم دوران بعض الأدوات الكهربائية يمكن أن يزيد. إذا ما تم تزويد المثقب أو المثقب النطاق بدون مقبض إضافي، فيرجى استخدام الجزء الإضافي المقبض الإضافي (انظر رسم التخطيطي للمكونات لإلاداة الكهربائية).

لا تقوم بتزيك بتة، إذا كانت الماكينة تعمل ووزر الضغط غير مومن. البت الدائر يمكن أن يصيب المستخدم بجراح

تحذيرا! لتجنب أخطار الحريق أو الإصابة أو الإضرار بالمنتج التي تنتج عن الماسن الكهربائي، لا تغير الآداة أو البطارية القابلة للاستبدال أو جهاز الشحن في السوائل وأحرص على أن لا تصل السوائل إلى داخل الجهاز والبطارية. السوائل المؤدية للتآكل أو الموصولة للتبريد الكهربائي، مثل الماء والملح ومزكبات كيميوية معينة ومواد التبييض أو المنتجات التي تشتمل على مواد تبييض، يمكن أن تؤدي إلى حدوث ماسن كهربائي.

شروط الاستخدام المحذنة

يمكن استخدام مقاح ربط بنون وصلة لربط مفك المسامير والصواميل عند عدم توفر التوصيل الكهربی. لا تستخدم هذا المنتج بأي طريقة أخرى غير مصرح بها للاستخدام المادي.

إعلان المطبقة - الإتحاد الأوروبي

موجب هذا مقر على مسؤوليتنا المنفردة، ان المنتج المذكور الموصوف تحت "البیقات الفنية" یلبي جميع التعليمات الهامة الخاصة بالمعايير

2011/65/EU (RoHS), 2014/30/EU, 2006/42/EG

وتطبيق مع رماني المعيير المتوافقة التالية:



EN 60745-1-2:2009 + A11-2:2010

EN 60745-2-1:2010

EN 55014-1-2:2017

EN 55014-2-2:2015

EN 50581:2012

<p>Winnenden, 2018-02-08</p> <p><i>Alexander Krug</i></p> <p>Alexander Krug Managing Director</p> <p>معدنة للمطابقة مع الطغ الفني</p> <p>Techtronic Industries GmbH Max-Eyth-StraÙe 10 Winnenden 71364 Germany</p>	
<p>يجب إعادة شحن البطارية غير المستخدمة لفترة قبل الأستخدام.</p> <p>تقلل درجات الحرارة التي تتجاوز 50°سليزيوس (122°فهرنهايت) من أداء البطارية. تجنب التعرض الزائد للحرارة أو أشعة الشمس (خطر السخنين)..</p> <p>يجب الحفاظ على محتويات السواحم و البطاريات نظيفة.</p> <p>الحصول على فقرة استخدام مائلك، يجب شحن البطاريات مائلك، بعد الأستخدام.</p> <p>الحصول على أطول عمر ممكن للبطارية، افرغ البطارية من الشاحن بمجرد شخنها تماما.</p> <p>لتخزين البطارية أكثر من 30 يوم:</p> <p>حزن البطارية بحيث تكون درجة الحرارة أقل من 27° سليزيوس وبعيدا عن أي رطوبة</p> <p>حزن البطارية مشدنة بنسبة تتراوح بين 30 -60 %. اشنح البطارية كالمعتاد، وذلك كل سنة كئمن الشهر من التخزين.</p>	
<p>البطاريات</p>	

يجب إعادة شحن البطارية غير المستخدمة لفترة قبل الأستخدام.
تقلل درجات الحرارة التي تتجاوز 50°سليزيوس (122°فهرنهايت) من أداء البطارية. تجنب التعرض الزائد للحرارة أو أشعة الشمس (خطر السخنين)..
يجب الحفاظ على محتويات السواحم و البطاريات نظيفة.
الحصول على فقرة استخدام مائلك، يجب شحن البطاريات مائلك، بعد الأستخدام.
الحصول على أطول عمر ممكن للبطارية، افرغ البطارية من الشاحن بمجرد شخنها تماما.
لتخزين البطارية أكثر من 30 يوم:
حزن البطارية بحيث تكون درجة الحرارة أقل من 27° سليزيوس وبعيدا عن أي رطوبة
حزن البطارية مشدنة بنسبة تتراوح بين 30 -60 %. اشنح البطارية كالمعتاد، وذلك كل سنة كئمن الشهر من التخزين.

حماية البطارية

في الموافك التي تكون فيها عزم الدوران عالٍ بشدة، وإعاقفة الحركة والتباطؤ والتصور في الدائرة الكهربائية الذي ينتج عنه سحب تيار كبير من الفييار الكهربي، ستستّر الآلة لمدة 2 ثانية ثم تترقف عن العمل.

إعادة الضبط حرر الزناد.

في الظروف القصوى للعمل، قد ترتفع درجة حرارة البطارية الداخلية بشدة. إذا ما حدث ذلك، ستترقف البطارية عن العمل.

نقل بطاريات الليثيوم

تخضع بطاريات الليثيوم أيون لشروط قرائين نقل السلع الخطرة

ويجب نقل هذه البطاريات وفقا للأحكام والقوانين المحلية والوطنية والدولية.

يمكن للمستخدم نقل البطاريات برأ دون الخضوع لشروط أخرى.

يخضع النقل التجاري لبطاريات الليثيوم أيون عن طريق الغير إلى قوانين نقل السلع الخطرة. يتعين أن يقوم أفراد مدربون جيدا بإعداد لعلمة النقل والقيام بها بصحة خضراء عنهم.

مَتَى تُنقَلُ البطاريات:




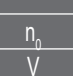




• عند التأكّد من حماية أطراف توصيل البطارية و عزلها تحجياً لحُدُوث قصر بالدارنة.

• عند التأكّد من حماية حزمة البطارية من الحركة داخل صندوق التعبئة.

• يُرَجَى عند نقل البطاريات التي بها تشققات أو تسربات.

يُرجَى البحث مع شركة الشحن عن نصيحة أخرى

الصيغة	<p>استخدم فقط ملحقات ميلوكي وكذلك قطع غير ميلوكي. إذا كانت المكونات التي يجب تغييرها غير مذكورة، يرجى الاتصال بأحد عملاء صيانة ميلوكي (انظر قائمة عنوانين الضمان/الصيانة الخاصة بنا).</p> <p>عند الحاجة يمكن طلب رمز انفجار الجهاز بعد طراز الآلة والرقم المداسي المذكور على بطاقة طاقة الآلة لدى جهة خدمة العملاء أو مباشرة لدى شركة</p> <p>Techtronic Industries GmbH, Max-Eyth-StraÙe 10, 71364 Winnenden, ألمانيا</p>
زورملا	

	تنبيه! تحذير! خطراً!
	افضل دائماً القاييس عن المقبض قبل تنفيذ أي عمل بالجهاز.
	يرحى قراءة التعليمات بعناية قبل بدء تشغيل الجهاز.
	يحظر التخلص من الأجهزة الكهربائية والبطاريات/البطاريات القابلة للشحن في القمامة المنزلية. يجب جمع الأجهزة الكهربائية والبطاريات القابلة للشحن منفصلة وتسليمها للتخلص منها بشكل لا يضر بالبيئة لدى شركة إعادة استغلال.
	الرجاء الاستفسار لدى الهيئات المحلية أو لدى التجار المتخصصين عن مواقع إعادة الاستغلال ومواقع الجمع.
n	أقصى سرعة دون وجود حمل
v	وحدات الفولط
	التيار المستمر
	علامة المطبقة الأوروبية
	العلامة الوطنية للمطابقة الأكرانية
TR 066	
	علامة المطبقة الأوروبية الآسيوية

يبرع

AEG

POWERTOOLS

www.aeg-powertools.eu

(03.18)
4931 4149 63



Techtronic Industries GmbH
Max-Eyth-Straße 10
71364 Winnenden
Germany