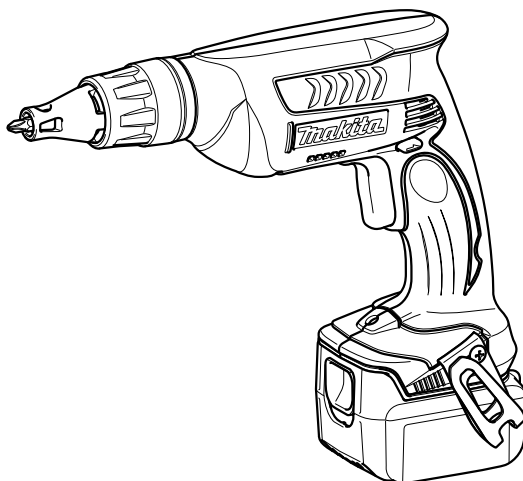




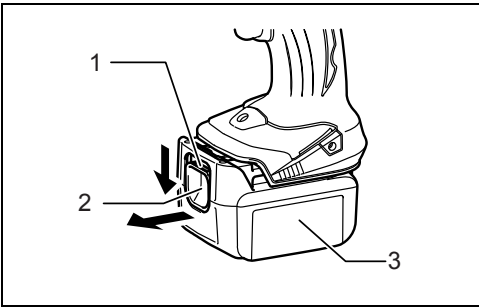
GB	Cordless Screwdriver	Instruction manual
F	Visseuse sans Fil	Manuel d'instructions
D	Akku-Schrauber	Betriebsanleitung
I	Avvitatore senza fili	Istruzioni per l'uso
NL	Accuschroefmachine	Gebruiksaanwijzing
E	Atornillador Inalámbrico	Manual de instrucciones
P	Parafusadeira a Bateria	Manual de instruções
DK	Akku-skruemaskine	Brugsanvisning
GR	Κατσαβίδι μπαταρίας	Οδηγίες χρήσης

DFS441
DFS451



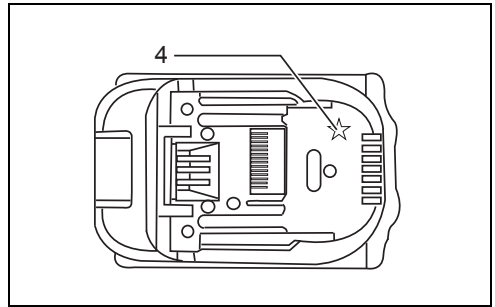
011811





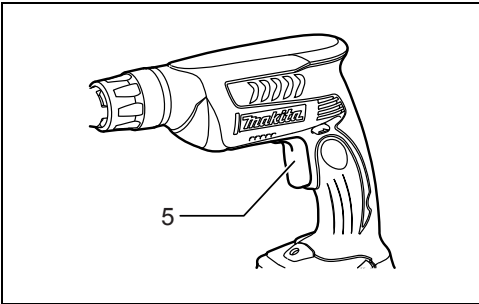
1

011812



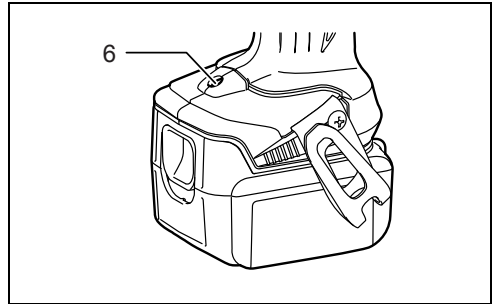
2

011389



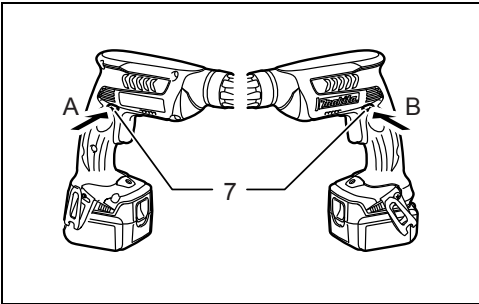
3

011816



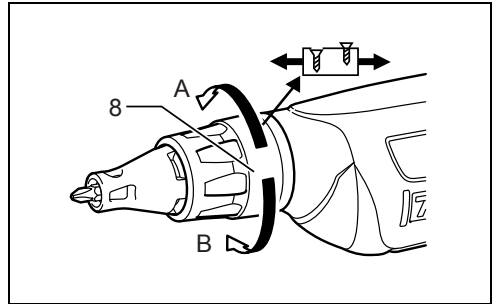
4

011817



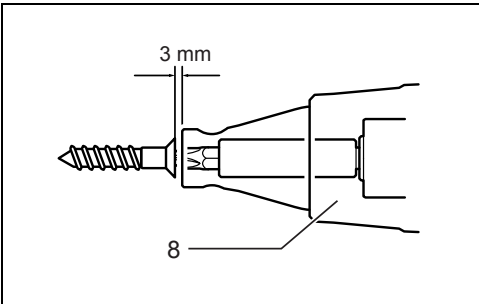
5

011818



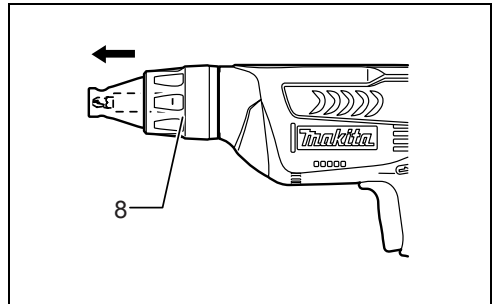
6

011813



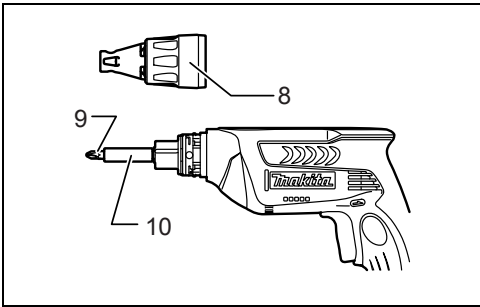
7

011815



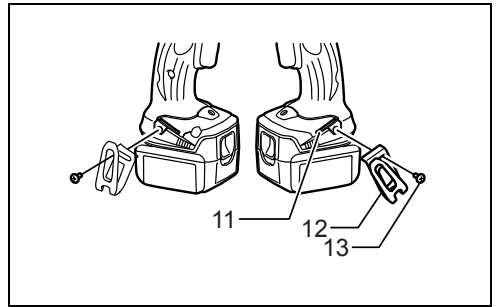
8

011819



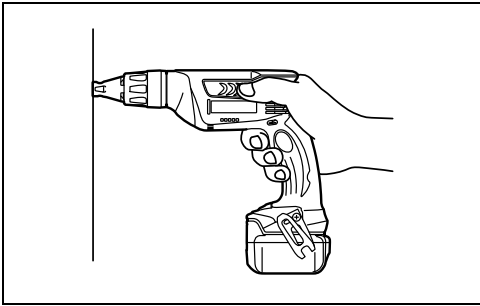
9

011820



10

011821



11

011822

ENGLISH (Original instructions)

Explanation of general view

- | | | |
|----------------------|---------------------------|------------|
| 1. Red indicator | 6. Lamp | 11. Groove |
| 2. Button | 7. Reversing switch lever | 12. Hook |
| 3. Battery cartridge | 8. Locator | 13. Screw |
| 4. Star mark | 9. Bit | |
| 5. Switch trigger | 10. Magnetic bit holder | |

SPECIFICATIONS

Model		DFS441	DFS451
Capacities	Drywall screw	4 mm	4 mm
No load speed (min ⁻¹)		0 - 4,000	0 - 4,000
Overall length	With short locator	281 mm	281 mm
	With long locator	296 mm	296 mm
Net weight		1.4 kg	1.5 kg
Rated voltage		D.C. 14.4 V	D.C. 18 V

- Due to our continuing programme of research and development, the specifications herein are subject to change without notice.
- Specifications and battery cartridge may differ from country to country.
- Weight, with battery cartridge, according to EPTA-Procedure 01/2003

Intended use

ENE033-1

The tool is intended for screw driving in wood, metal and plastic.

General Power Tool Safety Warnings

GEA010-1

⚠ WARNING Read all safety warnings and all instructions. Failure to follow the warnings and instructions may result in electric shock, fire and/or serious injury.

Save all warnings and instructions for future reference.

CORDLESS SCREWDRIVER SAFETY WARNINGS

GEB050-2

1. **Hold power tool by insulated gripping surfaces, when performing an operation where the fastener may contact hidden wiring.** Fasteners contacting a "live" wire may make exposed metal parts of the power tool "live" and could give the operator an electric shock.
2. **Always be sure you have a firm footing. Be sure no one is below when using the tool in high locations.**
3. **Hold the tool firmly.**
4. **Keep hands away from rotating parts.**
5. **Do not touch the bit or the workpiece immediately after operation; they may be extremely hot and could burn your skin.**

SAVE THESE INSTRUCTIONS.

⚠ WARNING:

DO NOT let comfort or familiarity with product (gained from repeated use) replace strict adherence to safety rules for the subject product. MISUSE or failure to follow the safety rules stated in this instruction manual may cause serious personal injury.

IMPORTANT SAFETY INSTRUCTIONS

ENC007-7

FOR BATTERY CARTRIDGE

1. Before using battery cartridge, read all instructions and cautionary markings on (1) battery charger, (2) battery, and (3) product using battery.
2. **Do not disassemble battery cartridge.**
3. **If operating time has become excessively shorter, stop operating immediately. It may result in a risk of overheating, possible burns and even an explosion.**
4. **If electrolyte gets into your eyes, rinse them out with clear water and seek medical attention right away. It may result in loss of your eyesight.**
5. **Do not short the battery cartridge:**
 - (1) **Do not touch the terminals with any conductive material.**
 - (2) **Avoid storing battery cartridge in a container with other metal objects such as nails, coins, etc.**
 - (3) **Do not expose battery cartridge to water or rain.**

A battery short can cause a large current flow, overheating, possible burns and even a breakdown.

6. **Do not store the tool and battery cartridge in locations where the temperature may reach or exceed 50°C (122°F).**
7. **Do not incinerate the battery cartridge even if it is severely damaged or is completely worn out. The battery cartridge can explode in a fire.**
8. **Be careful not to drop or strike battery.**
9. **Do not use a damaged battery.**

SAVE THESE INSTRUCTIONS.

Tips for maintaining maximum battery life

1. **Charge the battery cartridge before completely discharged.**
Always stop tool operation and charge the battery cartridge when you notice less tool power.
2. **Never recharge a fully charged battery cartridge. Overcharging shortens the battery service life.**
3. **Charge the battery cartridge with room temperature at 10°C - 40°C (50°F - 104°F). Let a hot battery cartridge cool down before charging it.**
4. **Charge the battery cartridge once in every six months if you do not use it for a long period of time.**

FUNCTIONAL DESCRIPTION

⚠ CAUTION:

- Always be sure that the tool is switched off and the battery cartridge is removed before adjusting or checking function on the tool.

Installing or removing battery cartridge (Fig. 1)

- Always switch off the tool before installing or removing of the battery cartridge.
- To remove the battery cartridge, slide it from the tool while sliding the button on the front of the cartridge.
- To install the battery cartridge, align the tongue on the battery cartridge with the groove in the housing and slip it into place. Always insert it all the way until it locks in place with a little click. If you can see the red indicator on the upper side of the button, it is not locked completely. Install it fully until the red indicator cannot be seen. If not, it may accidentally fall out of the tool, causing injury to you or someone around you.
- Do not use force when installing the battery cartridge. If the cartridge does not slide in easily, it is not being inserted correctly.

Battery protection system (Battery cartridge with a star mark) (Fig. 2)

The battery cartridge with a star mark is equipped with the protection system, which automatically cuts off the output power for its long service life.

The tool stops during operation when the tool and/or battery are placed under the following situation. This is caused by the activation of protection system and does not show the tool trouble.

- When the tool is overloaded:
At this time, release the switch trigger, remove the battery cartridge and remove causes of overload and then pull the switch trigger again to restart.

- When battery cells get hot:
If any operation of the switch trigger, the motor will remain stopped. At this time, stop use of the tool and cool or charge the battery cartridge after removing it from the tool.
- When the remaining battery capacity gets low:
If any operation of the switch trigger, the motor will remain stopped. At this time, remove the battery cartridge from the tool and charge it .

Switch action (Fig. 3)

⚠ CAUTION:

- Before inserting the battery cartridge into the tool, always check to see that the switch trigger actuates properly and returns to the "OFF" position when released.

To start the tool, simply pull the switch trigger. Tool speed is increased by increasing pressure on the switch trigger. Release the switch trigger to stop.

NOTE:

- Even with the switch on and motor running, the bit will not rotate until you fit the point of the bit in the screw head and apply forward pressure to engage the clutch.

Lighting up the front lamp (Fig. 4)

⚠ CAUTION:

- Do not look in the light or see the source of light directly.

Pull the switch trigger to light up the lamp. The lamp keeps on lighting while the switch trigger is being pulled. The lamp goes out 10 - 15 seconds after releasing the trigger.

NOTE:

- Use a dry cloth to wipe the dirt off the lens of lamp. Be careful not to scratch the lens of lamp, or it may lower the illumination.

Reversing switch action (Fig. 5)

This tool has a reversing switch to change the direction of rotation. Depress the reversing switch lever from the A side for clockwise rotation or from the B side for counterclockwise rotation.

When the reversing switch lever is in the neutral position, the switch trigger cannot be pulled.

⚠ CAUTION:

- Always check the direction of rotation before operation.
- Use the reversing switch only after the tool comes to a complete stop. Changing the direction of rotation before the tool stops may damage the tool.

When not operating the tool, always set the reversing switch lever to the neutral position.

Depth adjustment (Fig. 6)

The depth can be adjusted by turning the locator. Turn it in "B" direction for less depth and in "A" direction for more depth. One full turn of the locator equals 2 mm change in depth. (Fig. 7)

Adjust the locator so that the distance between the tip of the locator and the screw head is approximately 3 mm as shown in the figures. Drive a trial screw into your material or a piece of duplicate material. If the depth is still not

suitable for the screw, continue adjusting until you obtain the proper depth setting.

ASSEMBLY

CAUTION:

- Always be sure that the tool is switched off and the battery cartridge is removed before carrying out any work on the tool.

Installing or removing the bit (Fig. 8)

To remove the bit, pull the locator. Then grasp the bit with a pair of pliers and pull the bit out of the magnetic bit holder. Sometimes, it helps to wiggle the bit with the pliers as you pull. (Fig. 9)

To install the bit, push it firmly into the magnetic bit holder. Then install the locator by pushing it firmly back.

Hook (Fig. 10)

The hook is convenient for temporarily hanging the tool. This can be installed on either side of the tool.

To install the hook, insert it into a groove in the tool housing on either side and then secure it with a screw. To remove, loosen the screw and then take it out.

OPERATION

Screwdriving operation (Fig. 11)

Fit the screw on the point of the bit and place the point of the screw on the surface of the workpiece to be fastened. Apply pressure to the tool and start it. Withdraw the tool as soon as the clutch cuts in. Then release the switch trigger.

CAUTION:

- When fitting the screw onto the point of the bit, be careful not to push in on the screw. If the screw is pushed in, the clutch will engage and the screw will rotate suddenly. This could damage a workpiece or cause an injury.
- Make sure that the bit is inserted straight in the screw head, or the screw and/or bit may be damaged.

MAINTENANCE

CAUTION:

- Always be sure that the tool is switched off and the battery cartridge is removed before attempting to perform inspection or maintenance.
 - Never use gasoline, benzine, thinner, alcohol or the like. Discoloration, deformation or cracks may result.
- To maintain product SAFETY and RELIABILITY, repairs, carbon brush inspection and replacement, any other maintenance or adjustment should be performed by Makita Authorized Service Centers, always using Makita replacement parts.

OPTIONAL ACCESSORIES

CAUTION:

- These accessories or attachments are recommended for use with your Makita tool specified in this manual. The use of any other accessories or attachments might

present a risk of injury to persons. Only use accessory or attachment for its stated purpose.

If you need any assistance for more details regarding these accessories, ask your local Makita Service Center.

- Phillips Insert bits
- Magnetic bit holder
- Various type of Makita genuine batteries and chargers
- Plastic carrying case

NOTE:

- Some items in the list may be included in the tool package as standard accessories. They may differ from country to country.

Noise

ENG905-1

The typical A-weighted noise level determined according to EN60745:

Model DFS441

Sound pressure level (L_{pA}): 70 dB (A) or less

Uncertainty (K): 3 dB (A)

The noise level under working may exceed 80 dB (A).

Model DFS451

Sound pressure level (L_{pA}): 71 dB (A)

Uncertainty (K): 3 dB (A)

The noise level under working may exceed 80 dB (A).

Wear ear protection.

Vibration

ENG900-1

The vibration total value (tri-axial vector sum) determined according to EN60745:

Work mode: screwdriving without impact

Vibration emission (a_{n1}): 2.5 m/s² or less

Uncertainty (K): 1.5 m/s²

ENG901-1

- The declared vibration emission value has been measured in accordance with the standard test method and may be used for comparing one tool with another.
- The declared vibration emission value may also be used in a preliminary assessment of exposure.

WARNING:

- The vibration emission during actual use of the power tool can differ from the declared emission value depending on the ways in which the tool is used.
- Be sure to identify safety measures to protect the operator that are based on an estimation of exposure in the actual conditions of use (taking account of all parts of the operating cycle such as the times when the tool is switched off and when it is running idle in addition to the trigger time).

For European countries only

ENH101-15

EC Declaration of Conformity

We Makita Corporation as the responsible manufacturer declare that the following Makita machine(s):

Designation of Machine:

Cordless Screwdriver

Model No./ Type: DFS441, DFS451

are of series production and

Conforms to the following European Directives:

2006/42/EC

And are manufactured in accordance with the following standards or standardised documents:

EN60745

The technical documentation is kept by our authorised representative in Europe who is:

Makita International Europe Ltd.
Michigan Drive, Tongwell,
Milton Keynes, Bucks MK15 8JD, England

14. 9. 2010



Tomoyasu Kato
Director
Makita Corporation
3-11-8, Sumiyoshi-cho,
Anjo, Aichi, 446-8502, JAPAN

Descriptif

- | | | |
|-----------------|-----------------------------|-------------|
| 1. Voyant rouge | 6. Lampe | 11. Rainure |
| 2. Bouton | 7. Levier de l'inverseur | 12. Crochet |
| 3. Batterie | 8. Centreur | 13. Vis |
| 4. Étoile | 9. Embout | |
| 5. Gâchette | 10. Porte-embout magnétique | |

SPÉCIFICATIONS

Modèle		DFS441	DFS451
Capacités	Vis autoforeuse	4 mm	4 mm
Vitesse à vide (min ⁻¹)		0 - 4 000	0 - 4 000
Longueur totale	Avec centreur court	281 mm	281 mm
	Avec centreur long	296 mm	296 mm
Poids net		1,4 kg	1,5 kg
Tension nominale		14,4 V C.C.	18 V C.C.

- Étant donné l'évolution constante de notre programme de recherche et de développement, les spécifications contenues dans ce manuel sont sujettes à des modifications sans préavis.
- Les spécifications et la batterie peuvent varier d'un pays à l'autre.
- Poids, batterie incluse, selon la procédure EPTA 01/2003

Utilisations

ENE033-1

Cet outil est conçu pour le vissage dans le bois, le métal et le plastique.

Consignes de sécurité générales des outils électriques

GEA010-1

⚠ AVERTISSEMENT Veuillez lire toutes les consignes de sécurité et les instructions. Il y a un risque de choc électrique, d'incendie et/ou de blessure grave si les consignes et les instructions ne sont pas toutes respectées.

Conservez toutes les consignes et instructions pour référence ultérieure.

AVERTISSEMENTS DE SÉCURITÉ CONCERNANT LA VISSSEUSE SANS FIL

GEB050-2

1. Tenez l'outil électrique par ses surfaces de poigne isolées lorsque vous effectuez une opération au cours de laquelle la pièce de fixation peut entrer en contact avec des fils cachés. Il est possible que les pièces de fixation entrant en contact avec un fil sous tension mettent les parties métalliques exposées de l'outil sous tension, risquant ainsi de provoquer un choc électrique chez l'utilisateur.
2. Assurez-vous toujours d'une bonne position d'équilibre. Assurez-vous que personne ne se trouve dessous lorsque vous utilisez l'outil en position élevée.
3. Tenez l'outil fermement.
4. Gardez les mains éloignées des pièces en rotation.

5. Ne touchez ni l'embout ni la pièce immédiatement après l'opération ; ils risquent d'être extrêmement chauds et de vous brûler la peau.

CONSERVEZ CES INSTRUCTIONS.

⚠ AVERTISSEMENT :
NE vous laissez PAS tromper (au fil d'une utilisation répétée) par un sentiment d'aisance et de familiarité avec le produit, en négligeant le respect rigoureux des consignes de sécurité qui accompagnent l'outil. Une UTILISATION INCORRECTE de l'outil ou un non-respect des consignes de sécurité indiquées dans ce manuel d'instructions peuvent causer des blessures graves.

CONSIGNES DE SÉCURITÉ IMPORTANTES

ENC007-7

POUR LA BATTERIE

1. Avant d'utiliser la batterie, veuillez lire toutes les instructions et tous les avertissements inscrits sur (1) le chargeur, (2) la batterie et (3) l'appareil alimenté par la batterie.
2. Ne démontez pas la batterie.
3. Cessez immédiatement d'utiliser la scie circulaire si le temps de fonctionnement devient excessivement court. Il y a risque de surchauffe, de brûlures, voire d'explosion.
4. Si l'électrolyte pénètre dans vos yeux, rincez-les à l'eau claire et consultez immédiatement un médecin. Il y a risque de perte de la vue.
5. Évitez de court-circuiter la batterie :
 - (1) Ne touchez les bornes avec aucun matériau conducteur.

- (2) Évitez de ranger la batterie dans un contenant où se trouvent d'autres objets métalliques tels que des clous, pièces de monnaie, etc.
- (3) N'exposez pas la batterie à l'eau ou à la pluie. Un court-circuit de la batterie risque de provoquer un fort courant, une surchauffe, parfois des brûlures et même une panne.
- 6. Ne rangez pas l'outil ou la batterie dans des endroits où la température risque d'atteindre ou de dépasser 50°C (122°F).
- 7. Ne jetez pas la batterie au feu même si elle est sérieusement endommagée ou complètement épuisée. La batterie peut exploser au contact du feu.
- 8. Veillez à ne pas laisser tomber ou heurter la batterie.
- 9. N'utilisez pas de batterie endommagée.

CONSERVEZ CES INSTRUCTIONS.

Conseils pour assurer la durée de vie optimale de la batterie

1. Rechargez la batterie avant qu'elle ne soit complètement épuisée. Arrêtez toujours l'outil et rechargez la batterie quand vous constatez que la puissance de l'outil diminue.
2. Ne rechargez jamais une batterie complètement chargée. La surcharge réduit la durée de service de la batterie.
3. Chargez la batterie alors que la température de la pièce se trouve entre 10°C et 40°C (50°F et 104°F). Si une batterie est chaude, laissez-la refroidir avant de la charger.
4. Si vous n'utilisez pas le rabot pendant une période prolongée, rechargez la batterie tous les six mois.

DESCRIPTION DU FONCTIONNEMENT

⚠ ATTENTION :

- Veillez toujours à ce que l'outil soit éteint et la batterie déposée avant d'effectuer des réglages ou de vérifier le fonctionnement de l'outil.

Installation et retrait de la batterie (Fig. 1)

- Éteignez toujours l'outil avant d'installer ou de déposer la batterie.
- Pour retirer la batterie, faites glisser le bouton à l'avant de la batterie enfoncé et sortez la batterie.
- Pour installer la batterie, alignez sa languette sur la rainure qui se trouve à l'intérieur du carter, puis glissez la batterie pour la mettre en place. Insérez-la toujours bien à fond, jusqu'à ce qu'elle se verrouille en émettant un léger clic. Si vous pouvez voir la partie rouge sur la face supérieure du bouton, la batterie n'est pas parfaitement verrouillée. Installez-la à fond, jusqu'à ce que la partie rouge ne soit plus visible. Sinon, elle risque de tomber accidentellement de l'outil, en vous

- blessant ou en blessant une personne située près de vous.
- N'appliquez pas une force excessive lors de l'installation de la batterie. Si la batterie ne glisse pas aisément, c'est qu'elle n'est pas insérée correctement.

Système de protection de la batterie (batterie comportant une étoile) (Fig. 2)

La batterie sur laquelle figure une étoile est équipée d'un système de protection qui coupe automatiquement la puissance de sortie pour lui assurer une longue durée de service.

L'outil s'arrête pendant l'utilisation lorsqu'il et/ou la batterie se trouve(nt) dans la situation suivante. Cela est dû à l'activation du système de protection et n'indique pas le problème de l'outil.

- Lorsque l'outil est surchargé :
Lorsque cela se produit, relâchez la gâchette, retirez la batterie et supprimez les causes de surcharge, puis appuyez de nouveau sur la gâchette pour redémarrer.
- Lorsque les éléments de la batterie deviennent très chauds :
En cas d'utilisation de la gâchette, le moteur reste à l'arrêt. Lorsque cela se produit, cessez d'utiliser l'outil et laissez la batterie refroidir ou rechargez-la après l'avoir retirée de l'outil.
- Lorsque la batterie est presque vide :
En cas d'utilisation de la gâchette, le moteur reste à l'arrêt. Lorsque cela se produit, retirez la batterie de l'outil et rechargez-la.

Interrupteur (Fig. 3)

⚠ ATTENTION :

- Avant d'insérer la batterie dans l'outil, vérifiez toujours que la gâchette fonctionne bien et revient en position d'arrêt lorsqu'elle est relâchée.

Pour mettre l'outil en marche, appuyez simplement sur la gâchette. La vitesse de l'outil augmente à mesure que l'on accroît la pression exercée sur la gâchette. Pour l'arrêter, relâchez la gâchette.

REMARQUE :

- Même sous tension et avec le moteur en fonctionnement, l'embout ne pivote pas avant que vous ayez placé la pointe de l'embout sur la tête de la vis et appuyé dessus afin d'engager l'embrayage.

Allumage de la lampe avant (Fig. 4)

⚠ ATTENTION :

- Ne regardez pas directement la lumière ou la source lumineuse.

Appuyez sur la gâchette pour allumer la lampe. La lampe demeure allumée tant que la pression sur la gâchette est maintenue. La lampe s'éteint 10 à 15 secondes après le relâchement de la gâchette.

REMARQUE :

- Utilisez un chiffon sec pour essuyer les saletés qui recouvrent la lentille de la lampe. Prenez garde de ne pas rayer la lentille de la lampe, sinon sa capacité d'éclairage sera affectée.

Marche arrière (Fig. 5)

Cet outil possède un inverseur qui permet de changer le sens de rotation. Appuyez sur le levier de l'inverseur depuis le côté A pour une rotation dans le sens des aiguilles d'une montre, ou depuis le côté B pour une rotation en sens inverse.

La pression sur la gâchette n'est pas possible lorsque le levier de l'inverseur se trouve en position neutre.

⚠ ATTENTION :

- Vérifiez toujours le sens de rotation avant de mettre l'outil en marche.
- N'actionnez l'inverseur qu'une fois l'outil complètement arrêté. Si vous changez le sens de rotation de l'outil avant l'arrêt de celui-ci, vous risquez de l'endommager.

Lorsque vous n'utilisez pas l'outil, placez toujours le levier de l'inverseur en position neutre.

Réglage de la profondeur (Fig. 6)

La profondeur peut être réglée en tournant le centreur. Tournez-le dans le sens « B » pour diminuer la profondeur et dans le sens « A » pour l'augmenter. Un tour entier du centreur équivaut à 2 mm de changement en profondeur. (Fig. 7)

Régalez le centreur de sorte que la distance entre le bout du centreur et la tête de la vis soit d'environ 3 mm comme illustré sur les figures. Enfoncez une vis d'essai dans votre matériau ou un morceau de matériau que vous avez en double. Si la profondeur ne convient toujours pas pour la vis, continuez le réglage jusqu'à obtention de la profondeur correcte.

ASSEMBLAGE

⚠ ATTENTION :

- Assurez-vous toujours que l'outil est hors tension et que la batterie est retirée avant d'effectuer toute intervention sur l'outil.

Installation et retrait de l'embout (Fig. 8)

Pour retirer l'embout, tirez le centreur. Ensuite saisissez l'embout avec une paire de pinces et tirez-le pour le sortir du porte-embout magnétique. Le fait de bouger l'embout avec les pinces tout en le tirant permet parfois de faciliter son retrait. (Fig. 9)

Pour installer l'embout, poussez-le fermement dans le porte-embout magnétique. Puis installez le centreur en le poussant fermement en arrière.

Crochet (Fig. 10)

L'outil est équipé d'un crochet pratique qui permet de le suspendre temporairement. Il s'installe d'un côté comme de l'autre de l'outil.

Pour installer le crochet, insérez-le dans une rainure du carter de l'outil d'un côté ou de l'autre puis serrez-le avec une vis. Pour le retirer, desserrez la vis et enlevez-le.

FONCTIONNEMENT

Vissage (Fig. 11)

Ajustez la vis sur la pointe de l'embout et placez la pointe de la vis sur la surface de la pièce de travail à fixer. Appliquez une pression sur l'outil et démarrez-le. Retirez-

le dès que l'embrayage s'emballé. Ensuite relâchez la gâchette.

⚠ ATTENTION :

- Lorsque vous ajustez la vis sur la pointe de l'embout, veillez à ne pas appuyer sur la vis. Si vous appuyez sur la vis, l'embrayage s'enclenche et la vis tourne soudainement. Cela risque d'endommager la pièce de travail ou de causer des blessures.
- Assurez-vous que l'embout est inséré bien droit dans la tête de vis, faute de quoi la vis et/ou l'embout risquent d'être endommagés.

ENTRETIEN

⚠ ATTENTION :

- Assurez-vous toujours que l'outil est hors tension et que la batterie est retirée avant d'y effectuer tout travail d'inspection ou d'entretien.
- N'utilisez jamais d'essence, de benzine, de diluant, d'alcool ou de produit similaire. Ces produits risquent de provoquer des décolorations, des déformations ou des fissures.

Pour assurer la SÉCURITÉ et la FIABILITÉ du produit, toute réparation, inspection et remplacement des charbons, ainsi que toute autre tâche de maintenance ou de réglage, doivent être effectués par un Centre de service agréé Makita, toujours avec des pièces de rechange Makita.

ACCESSOIRES FOURNIS EN OPTION

⚠ ATTENTION :

- Ces accessoires ou pièces complémentaires sont recommandés pour être utilisés avec l'outil Makita spécifié dans ce mode d'emploi. L'utilisation de tout autre accessoire ou pièce complémentaire peut comporter un risque de blessure. N'utilisez les accessoires ou pièces qu'aux fins auxquelles ils ont été conçus.

Pour obtenir plus de détails sur ces accessoires, contactez votre Centre de service local Makita.

- Embouts cruciformes
- Porte-embout magnétique
- Divers types de batteries et chargeurs de marque Makita
- Étui en plastique

REMARQUE :

- Certains éléments de la liste peuvent être inclus en tant qu'accessoires standard dans le coffret de l'outil envoyé. Ils peuvent varier suivant les pays.

Bruit

ENG905-1

Les niveaux de bruit pondéré A typiques ont été mesurés selon la norme EN60745 :

Modèle DFS441

Niveau de pression sonore (L_{pA}) : 70 dB (A) ou moins
Incertitude (K) : 3 dB (A)

Le niveau de bruit peut dépasser 80 dB (A) lors de l'utilisation.

Modèle DFS451

Niveau de pression sonore (L_{pA}) : 71 dB (A)

Incertitude (K) : 3 dB (A)

Le niveau de bruit peut dépasser 80 dB (A) lors de l'utilisation.

Portez des protections auditives.

Vibrations

ENG900-1

La valeur totale de vibration (somme du vecteur triaxial) a été déterminée selon la norme EN60745 :

Mode de fonctionnement : vissage sans impact

Émission des vibrations (a_n) : 2,5 m/s² ou moins

Incertitude (K) : 1,5 m/s²

ENG901-1

- La valeur de l'émission des vibrations déclarée a été mesurée conformément à la méthode de test standard et peut être utilisée afin de comparer des outils entre eux.
- La valeur de l'émission des vibrations déclarée peut également être utilisée lors d'une évaluation préliminaire de l'exposition.

⚠ AVERTISSEMENT :

- Selon la manière dont l'outil est utilisé, il est possible que l'émission des vibrations pendant l'utilisation réelle de l'outil électrique diffère de la valeur de l'émission déclarée.
- Veuillez à identifier les mesures de sécurité destinées à protéger l'opérateur et établies en fonction de l'estimation de l'exposition dans les conditions réelles d'utilisation (en prenant en compte toutes les étapes du cycle de fonctionnement, telles que les périodes de mise hors tension de l'outil, les périodes de fonctionnement au ralenti et les périodes de mise en route).

Pour les pays d Europe uniquement

ENH101-15

Déclaration de conformité CE

Nous, Makita Corporation, en tant que fabricant responsable, déclarons que les machines Makita suivantes :

Nom de la machine :

Visseuse sans Fil

N° de modèle/Type : DFS441, DFS451

sont fabriquées en série et

Sont conformes aux directives européennes suivantes :

2006/42/CE

Et sont produites conformément aux normes ou documents de normalisation suivants :

EN60745

La documentation technique est disponible auprès de notre représentant en Europe qui est :

Makita International Europe Ltd.

Michigan Drive, Tongwell,

Milton Keynes, Bucks MK15 8JD, Angleterre

14. 09. 2010



Tomoyasu Kato

Directeur

Makita Corporation

3-11-8, Sumiyoshi-cho,

Anjo, Aichi, 446-8502, JAPAN

DEUTSCH (Originalanweisungen)

Erklärung der Gesamtdarstellung

- | | | |
|---------------------|-----------------------------|--------------|
| 1. Roter Bereich | 6. Lampe | 11. Rille |
| 2. Taste | 7. Umschalthebel | 12. Haken |
| 3. Akkublock | 8. Zentrierring | 13. Schraube |
| 4. Sternmarkierung | 9. Bit | |
| 5. Ein/Aus-Schalter | 10. Magnetischer Bit-Halter | |

TECHNISCHE DATEN

Modell		DFS441	DFS451
Leistungen	Schnellbauschraube	4 mm	4 mm
Leerlaufgeschwindigkeit (min ⁻¹)		0 - 4.000	0 - 4.000
Gesamtlänge	Mit schmalem Zentrierring	281 mm	281 mm
	Mit breitem Zentrierring	296 mm	296 mm
Nettogewicht		1,4 kg	1,5 kg
Nennspannung		14,4 V Gleichspannung	18 V Gleichspannung

- Aufgrund unserer beständigen Forschungen und Weiterentwicklungen sind Änderungen an den hier angegebenen Technischen Daten ohne Vorankündigung vorbehalten.
- Die Technischen Daten und der Akkublock können in den einzelnen Ländern Abweichungen aufweisen.
- Gewicht, mit Akkublock, ermittelt gemäß EPTA-Verfahren 01/2003

Verwendungszweck

ENE033-1

Das Werkzeug ist für das Schrauben in Holz, Metall und Kunststoff vorgesehen.

5. **Berühren Sie kurz nach dem Betrieb weder den Einsatz noch das Werkstück. Diese können extrem heiß sein und zu Verbrennungen führen.**

Allgemeine Sicherheitshinweise für Elektrowerkzeuge

GEA010-1

⚠ WARNUNG Lesen Sie alle Sicherheitshinweise und Anweisungen sorgfältig durch. Wenn die Hinweise und Anweisungen nicht beachtet werden, besteht die Gefahr eines Stromschlags, Brands und/oder das Risiko von ernsthaften Verletzungen.

BEWAHREN SIE DIESE ANWEISUNGEN SORGFÄLTIG AUF.

⚠ WARNUNG:

Lassen Sie sich **NIE** durch Bequemlichkeit oder (aus fortwährendem Gebrauch gewonnener) Vertrautheit mit dem Werkzeug dazu verleiten, die Sicherheitsregeln für das Werkzeug zu missachten. Bei **MISSBRÄUHLICHER** Verwendung des Werkzeugs oder Missachtung der in dieser Anleitung enthaltenen Sicherheitshinweise kann es zu schweren Verletzungen kommen.

Bewahren Sie alle Hinweise und Anweisungen zur späteren Referenz gut auf.

SICHERHEITSHINWEISE ZUM AKKU-SCHRAUBER

GEB050-2

1. **Halten Sie das Werkzeug an den isolierten Griffflächen, wenn Sie unter Bedingungen arbeiten, bei denen das Werkzeug verborgene Kabel berühren kann.** Bei Kontakt des Schraubers mit einem stromführenden Kabel wird der Strom an die Metallteile des Elektrowerkzeugs und dadurch an den Bediener weitergeleitet, und der Bediener erleidet einen Stromschlag.
2. **Achten Sie jederzeit auf einen festen Stand. Achten Sie darauf, dass sich niemand unter Ihrem Standort befindet, wenn Sie das Werkzeug an erhöhten Orten verwenden.**
3. **Halten Sie das Werkzeug mit festem Griff.**
4. **Halten Sie Ihre Hände von den beweglichen Teilen fern.**

WICHTIGE SICHERHEITSREGELN

ENC007-7

FÜR AKKUBLOCK

1. **Lesen Sie vor der Verwendung des Akkublocks alle Anweisungen und Sicherheitshinweise für das Akkuladegerät (1), den Akku (2) und das Produkt (3), für das der Akku verwendet wird, sorgfältig durch.**
2. **Der Akkublock darf nicht zerlegt werden.**
3. **Falls die Betriebsdauer erheblich kürzer wird, beenden Sie den Betrieb umgehend. Andernfalls besteht die Gefahr einer Überhitzung sowie das Risiko möglicher Verbrennungen und sogar einer Explosion.**
4. **Wenn Elektrolyt in Ihre Augen gerät, waschen Sie diese mit klarem Wasser aus und suchen Sie**

sofort einen Arzt auf. Andernfalls können Sie Ihre Sehfähigkeit verlieren.

5. **Vermeiden Sie einen Kurzschluss des Akkublocks:**
 - (1) **Die Kontakte dürfen nicht mit leitendem Material in Berührung kommen.**
 - (2) **Der Akkublock darf nicht in einem Behälter aufbewahrt werden, in dem sich andere metallische Gegenstände wie beispielsweise Nägel, Münzen usw. befinden.**
 - (3) **Der Akkublock darf weder Feuchtigkeit noch Regen ausgesetzt werden.**

Ein Kurzschluss des Akkus kann zu hohem Kriechstrom, Überhitzung, möglichen Verbrennungen und sogar zu einer Zerstörung des Werkzeugs führen.
6. **Werkzeug und Akkublock dürfen nicht an Orten aufbewahrt werden, an denen Temperaturen von 50°C oder darüber erreicht werden können.**
7. **Beschädigte oder verbrauchte Akkus dürfen nicht verbrannt werden. Der Akkublock kann in den Flammen explodieren.**
8. **Lassen Sie den Akku nicht fallen und vermeiden Sie Schläge gegen den Akku.**
9. **Verwenden Sie niemals einen beschädigten Akku.**

- Zum Einsetzen des Akkublocks müssen Sie die Zunge des Akkublocks an der Rille im Gehäuse ausrichten und den Akkublock in die ordnungsgemäße Position schieben. Setzen Sie den Block immer ganz ein, bis er mit einem Klick einrastet. Wenn Sie den roten Bereich oben auf der Taste sehen können, ist der Block nicht ganz eingerastet. Setzen Sie den Akkublock ganz ein, bis der rote Bereich nicht mehr zu sehen ist. Anderenfalls kann der Block versehentlich aus dem Werkzeug fallen und Sie oder Personen in Ihrem Umfeld verletzen.
- Wenden Sie beim Einsetzen des Akkublocks keine Gewalt an. Wenn der Block nicht leicht hineingleitet, ist er nicht korrekt eingesetzt.

Akku-Schutzsystem (Akku ist mit einem Stern gekennzeichnet) (Abb. 2)

Der Akkublock mit einer Sternmarkierung ist mit einem Schutzsystem ausgestattet, das die Ausgangsspannung für eine längere Lebenszeit des Akkus automatisch ausschaltet.

In folgender Situation des Werkzeugs und/oder des Akkus stoppt das Werkzeug während des Betriebs. Dies geschieht aufgrund der Aktivierung des Schutzsystems und stellt keine Fehlfunktion dar.

- Bei Überlastung des Werkzeugs:

Lassen Sie den Ein/Aus-Schalter los, nehmen Sie den Akkublock ab und beheben Sie die Ursachen der Überlastung; setzen Sie den Akkublock wieder ein und betätigen Sie anschließend den Ein/Aus-Schalter, um das Werkzeug wieder einzuschalten.
- Wenn die Temperatur des Akkublocks zu hoch ist:

Bei Betätigung des Ein/Aus-Schalters läuft der Motor nicht. Stoppen Sie zu diesem Zeitpunkt die Verwendung des Werkzeugs und lassen Sie den Akkublock abkühlen oder laden Sie den Akku nach Ausbau aus dem Werkzeug auf.
- Wenn der Ladezustand des Akkus zu niedrig wird:

Bei Betätigung des Ein/Aus-Schalters läuft der Motor nicht. Entnehmen Sie in diesem Fall den Akkublock aus dem Werkzeug und laden Sie den Akkublock auf.

Bedienung des Schalters (Abb. 3)

⚠️ ACHTUNG:

- Achten Sie vor dem Einsetzen des Akkublocks in das Werkzeug darauf, dass sich der Ein/Aus-Schalter korrekt bedienen lässt und beim Loslassen in die Position „OFF“ (AUS) zurückkehrt.

Betätigen Sie zum Starten des Werkzeugs einfach den Ein/Aus-Schalter. Die Drehzahl des Werkzeugs wird durch größeren Druck auf den Ein/Aus-Schalter erhöht. Lassen Sie zum Ausschalten des Werkzeugs den Ein/Aus-Schalter los.

HINWEIS:

- Auch bei eingeschaltetem Schalter und laufendem Motor dreht sich der Bit-Einsatz erst dann, wenn Sie die Spitze des Bit-Einsatzes in den Schraubenkopf einsetzen und Druck ausüben, um die Kupplung zu aktivieren.

BEWAHREN SIE DIESE ANLEITUNG SORGFÄLTIG AUF.

Tipps für eine maximale Nutzungsdauer von Akkus

1. **Laden Sie den Akkublock auf, bevor der Akku vollständig entladen ist.**

Sobald Sie eine verringerte Leistung des Werkzeugs bemerken, beenden Sie stets den Betrieb des Werkzeugs und laden Sie den Akkublock auf.
2. **Ein voll aufgeladener Akkublock darf niemals erneut geladen werden.**

Durch Überladungen wird die Lebensdauer des Akkus verkürzt.
3. **Laden Sie den Akkublock bei einer Zimmertemperatur von 10°C bis 40°C auf. Lassen Sie einen heißen Akkublock vor dem Aufladen abkühlen.**
4. **Laden Sie den Akkublock aller sechs Monate auf, wenn Sie diesen für längere Zeit nicht verwenden.**

FUNKTIONSBESCHREIBUNG

⚠️ ACHTUNG:

- Schalten Sie das Werkzeug stets aus und entfernen Sie den Akkublock, bevor Sie Einstellungen oder eine Funktionsprüfung des Werkzeugs vornehmen.

Einsetzen und Abnehmen des Akkublocks (Abb. 1)

- Schalten Sie das Werkzeug stets aus, bevor Sie den Akkublock einsetzen oder abnehmen.
- Um den Akkublock abzunehmen schieben Sie die Taste an der Vorderseite des Akkublocks nach unten und ziehen Sie den Akkublock vom Werkzeug ab.

Einschalten der Frontlampe (Abb. 4)

ACHTUNG:

- Schauen Sie nicht direkt in das Licht oder in die Lichtquelle.

Bei Einschalten des Ein/Aus-Schalters leuchtet die Lampe auf. Solange Sie den Ein/Aus-Schalter auf EIN halten, leuchtet die Lampe. Nach dem Loslassen des Ein/Aus-Schalters erlischt die Lampe nach 10 bis 15 Sekunden.

HINWEIS:

- Wischen Sie Schmutz auf der Lampenlinse mit einem trockenen Tuch ab. Achten Sie darauf, dass die Lampenlinse nicht zerkratzt wird, da dies die Leuchtstärke mindern kann.

Bedienen des Umschalters (Abb. 5)

Dieses Werkzeug verfügt über einen Umschalter für die Änderung der Drehrichtung. Für eine Drehbewegung im Uhrzeigersinn drücken Sie den Umschalter von der Seite A hinein, und für eine Drehbewegung entgegen dem Uhrzeigersinn von der Seite B.

Wenn sich der Umschalter in der neutralen Position befindet, kann der Ein/Aus-Schalter nicht betätigt werden.

ACHTUNG:

- Überprüfen Sie vor jedem Betrieb immer die Drehrichtung.
- Der Umschalter darf nur betätigt werden, wenn das Werkzeug im Stillstand ist. Wenn Sie die Drehrichtung bei noch laufendem Werkzeug umschalten, kann das Werkzeug beschädigt werden.

Ist das Werkzeug nicht in Gebrauch, muss der Umschalter immer auf die neutrale Position gestellt werden.

Tiefeneinstellung (Abb. 6)

Die Tiefe kann durch Drehen des Zentrierrings eingestellt werden. Drehen in Richtung „B“ verringert die Tiefe, Drehen in Richtung „A“ erhöht die Tiefe. Eine volle Umdrehung des Zentrierrings entspricht einer Tiefenänderung von 2 mm. (Abb. 7)

Stellen Sie den Zentrierring so ein, dass der Abstand zwischen der Spitze des Zentrierrings und dem Schraubenkopf ca. 3 mm beträgt (siehe Abbildung). Schrauben Sie zur Probe eine Schraube in das Material oder in ein gleichartiges Material. Falls die Tiefe für die Schraube nicht ausreicht, passen Sie die Einstellung bis zur entsprechenden Tiefe weiter an.

MONTAGE

ACHTUNG:

- Schalten Sie das Werkzeug stets aus und entnehmen Sie den Akkublock, bevor Sie Arbeiten am Werkzeug ausführen.

Montage und Demontage des Bit-Einsatzes (Abb. 8)

Zum Entfernen des Bit-Einsatzes ziehen Sie den Zentrierring. Fassen Sie den Bit-Einsatz anschließend mit einer Zange und ziehen Sie ihn aus dem Magneteinsatzhalter. Wackeln Sie bei Bedarf mit der

Zange am Bit-Einsatz, um diesen herauszuziehen. (Abb. 9)

Zum Einsetzen drücken Sie den Bit-Einsatz fest in den Magneteinsatzhalter. Drücken Sie zum Einsetzen den Zentrierring wieder fest zurück.

Haken (Abb. 10)

Der Haken dient zum kurzzeitigen Aufhängen des Werkzeugs. Die Befestigung kann an jeder Seite des Werkzeugs erfolgen.

Setzen Sie zur Montage den Haken in eine Rille am Werkzeuggehäuse (die Seite ist beliebig) und befestigen Sie den Haken mit einer Schraube. Zur Entfernung müssen Sie nur die Schraube lösen und den Haken herausnehmen.

BETRIEB

Schraubendreherbetrieb (Abb. 11)

Setzen Sie die Schraube auf die Spitze des Bit-Einsatzes, und setzen Sie dann die Schraubenspitze auf der Oberfläche des zu befestigenden Werkstücks an. Üben Sie Druck auf das Werkzeug aus und starten Sie es. Ziehen Sie das Werkzeug zurück, sobald die Kupplung unterbricht. Lassen Sie dann den Ein/Aus-Schalter los.

ACHTUNG:

- Wenn Sie die Schraube auf die Spitze des Einsatzes aufsetzen, dürfen Sie keinen Druck auf die Schraube ausüben. Wenn auf die Schraube Druck ausgeübt wird, wird die Kupplung aktiviert, und die Schraube dreht sich unversehens. Dies kann das Werkstück beschädigen und zu Verletzungen führen.
- Vergewissern Sie sich, dass der Bit-Einsatz gerade im Schraubenkopf sitzt. Anderenfalls können Schraube und/oder Bit-Einsatz beschädigt werden.

WARTUNG

ACHTUNG:

- Schalten Sie das Werkzeug stets aus und ziehen Sie den Akkublock ab, bevor Sie Inspektionen oder Wartungsarbeiten am Werkzeug vornehmen.
- Verwenden Sie zum Reinigen niemals Kraftstoffe, Benzin, Verdüner, Alkohol oder ähnliches. Dies kann zu Verfärbungen, Verformungen oder Rissen führen. Um die SICHERHEIT und die ZUVERLÄSSIGKEIT des Produkts zu gewährleisten, dürfen Reparaturen, Inspektion und Austausch der Kohlebürsten sowie alle anderen Wartungsarbeiten und Einstellungen nur in von Makita autorisierten Servicecentern ausgeführt werden. Dabei sind ausschließlich Makita-Ersatzteile zu verwenden.

SONDERZUBEHÖR

ACHTUNG:

- Für das in diesem Handbuch beschriebene Makita-Gerät werden die folgenden Zubehör- und Zusatzteile empfohlen. Bei Verwendung anderer Zubehör- und Zusatzteile kann es zu Verletzungen kommen. Verwenden Sie Zubehör- und Zusatzteile nur für den vorgesehenen Zweck.

Informationen zu diesem Zubehör erhalten Sie von Ihrem Makita-Servicecenter.

- Phillips-Bits (Kreuzschlitz)
- Magnetischer Bit-Halter
- Verschiedene Arten von originalen Akkus und Ladegeräten von Makita
- Kunststoff-Tragekoffer

HINWEIS:

- Einige der in der Liste aufgeführten Elemente sind dem Werkzeupaket als Standardzubehör beigelegt. Diese können in den einzelnen Ländern voneinander abweichen.

Schall ENG905-1
Typischer A-bewerteter Schallpegel nach EN60745:

Modell DFS441

Schalldruckpegel (L_{pA}): 70 dB (A) oder weniger
Abweichung (K): 3 dB (A)

Unter Arbeitsbedingungen kann der Schalldruck 80 dB (A) überschreiten.

Modell DFS451

Schalldruckpegel (L_{pA}): 71 dB (A)
Abweichung (K): 3 dB (A)

Unter Arbeitsbedingungen kann der Schalldruck 80 dB (A) überschreiten.

Tragen Sie Gehörschutz.

Schwingung ENG900-1
Schwingungsgesamtwerte (Vektorsumme dreier Achsen) nach EN60745:

Arbeitsmodus: Schrauben ohne Schlag
Schwingungsbelastung (a_{hV}): 2,5 m/s² oder weniger
Abweichung (K): 1,5 m/s²

ENG901-1

- Der hier angegebene Wert für die erzeugten Schwingungen wurde gemäß dem genormten Testverfahren ermittelt und kann als Vergleich zu anderen Werkzeugen herangezogen werden.
- Der angegebene Wert für die erzeugten Schwingungen ist außerdem für eine vorbeugende Bewertung der Belastung zu verwenden.

WARNUNG:

- Die Schwingungsbelastung kann bei tatsächlichem Gebrauch des Elektrowerkzeugs in Abhängigkeit von der Handhabung des Elektrowerkzeugs von dem hier aufgeführten Wert abweichen.
- Stellen Sie sicher, dass Schutzmaßnahmen für den Bediener getroffen werden, die auf den unter den tatsächlichen Arbeitsbedingungen zu erwartenden Belastungen beruhen (beziehen Sie alle Bestandteile des Arbeitsablaufs ein, also zusätzlich zu den Arbeitszeiten auch Zeiten, in denen das Werkzeug ausgeschaltet ist oder ohne Last läuft).

Nur für europäische Länder ENH101-15
EG-Konformitätserklärung

Wir, Makita Corporation als verantwortlicher Hersteller, erklären, dass die folgenden Geräte der Marke Makita:

Bezeichnung des Geräts:

Akku-Schrauber

Nummer / Typ des Modells: DFS441, DFS451

in Serienfertigung hergestellt werden und

den folgenden Richtlinien der Europäischen Union genügen:

2006/42/EG

Außerdem werden die Geräte gemäß den folgenden Standards oder Normen gefertigt:

EN60745

Die technische Dokumentation erfolgt durch unseren Bevollmächtigten in Europa:

Makita International Europe Ltd.

Michigan Drive, Tongwell,

Milton Keynes, Bucks MK15 8JD, England

14. 9. 2010



Tomoyasu Kato
Direktor

Makita Corporation
3-11-8, Sumiyoshi-cho,
Anjo, Aichi, 446-8502, JAPAN

ITALIANO (Istruzioni originali)

Spiegazione della vista generale

- | | | |
|-------------------------------|---------------------------------------|-----------------|
| 1. Indicatore rosso | 6. Lampada | 11. Scanalatura |
| 2. Pulsante | 7. Leva di inversione della rotazione | 12. Gancio |
| 3. Batteria | 8. Posizionatore | 13. Vite |
| 4. Segno a stella | 9. Punta | |
| 5. Interruttore di accensione | 10. Inserto magnetico | |

CARATTERISTICHE TECNICHE

Modello		DFS441	DFS451
Capacità	Vite da cartongesso	4 mm	4 mm
Velocità a vuoto (min ⁻¹)		0 - 4.000	0 - 4.000
Lunghezza totale	Con posizionatore corto	281 mm	281 mm
	Con posizionatore lungo	296 mm	296 mm
Peso netto		1,4 kg	1,5 kg
Tensione nominale		14,4 V CC	18 V CC

- Le caratteristiche tecniche riportate di seguito sono soggette a modifiche senza preavviso in virtù del nostro programma continuo di ricerca e sviluppo.
- Le caratteristiche tecniche e le batterie possono differire da paese a paese.
- Peso, comprensivo di batterie, calcolato in base alla Procedura EPTA 01/2003

Uso previsto

ENE033-1

Questo utensile è progettato per l'avvitatura di viti in legno, metallo e plastica.

Avvertenze generali di sicurezza per l'uso dell'utensile

GEA010-1

⚠ AVVERTENZA Leggere attentamente tutte le avvertenze di sicurezza e le istruzioni. La mancata osservanza delle istruzioni e delle avvertenze riportate di seguito potrebbe provocare scosse elettriche, incendi e/o lesioni gravi.

Conservare le avvertenze e le istruzioni per riferimenti futuri.

AVVERTENZE DI SICUREZZA PER L'AVVITATORE SENZA FILI

GEB050-2

1. Se vengono eseguite operazioni in cui il dispositivo di fissaggio può toccare fili nascosti, impugnare l'utensile per i punti di presa isolati. Se il dispositivo di fissaggio entra a contatto con un filo percorso da corrente, le parti metalliche esposte dell'utensile si troveranno anch'esse sotto tensione e potrebbero provocare scosse elettriche all'operatore.
2. Accertarsi sempre di avere un equilibrio stabile. Controllare che nessuno si trovi sotto all'utensile quando lo si utilizza in posizioni elevate.
3. Tenere l'utensile in modo saldo.
4. Tenere le mani lontano dalle parti rotanti.
5. Non toccare la punta o il pezzo in lavorazione subito dopo aver utilizzato l'utensile in quanto possono raggiungere temperature elevate e provocare ustioni.

CONSERVARE QUESTE ISTRUZIONI.



AVVERTENZA:

NON lasciare che la familiarità acquisita con il prodotto (dovuta all'uso ripetuto) provochi l'inosservanza delle norme di sicurezza per il presente prodotto. L'USO IMPROPRIO o la mancata osservanza delle norme di sicurezza contenute in questo manuale di istruzioni possono provocare infortuni gravi.

ISTRUZIONI IMPORTANTI PER LA SICUREZZA

ENC007-7

RELATIVE ALLA BATTERIA

1. Prima di utilizzare la batteria, leggere tutte le istruzioni e gli avvisi di sicurezza relativi a (1) caricabatteria, (2) batteria e (3) prodotto utilizzato con la batteria.
2. Non smontare la batteria.
3. Se il tempo di funzionamento è diventato eccessivamente breve, non utilizzare l'utensile. Potrebbero verificarsi surriscaldamenti, ustioni o esplosioni.
4. In caso di contatto dell'elettrolita della batteria con gli occhi, sciacquare con acqua fresca e rivolgersi immediatamente a un medico. Potrebbero verificarsi danni permanenti alla funzionalità visiva.
5. Non cortocircuitare la batteria:
 - (1) Non toccare i terminali della batteria con materiale in grado di condurre elettricità.
 - (2) Evitare di conservare la batteria a contatto con oggetti metallici quali chiodi, monete e così via.

- (3) **Non esporre le batterie all'acqua o alla pioggia.**

Un cortocircuito può provocare un elevato flusso di corrente, surriscaldamento, ustioni o rotture.

6. **Non conservare l'utensile e la batteria a una temperatura superiore a 50 °C.**
7. **Evitare di smaltire le batterie danneggiate o esaurite bruciandole. Se esposte al fuoco, le batterie possono esplodere.**
8. **Evitare di far cadere o di colpire la batteria.**
9. **Non utilizzare batterie danneggiate.**

CONSERVARE QUESTE ISTRUZIONI.

Suggerimenti il prolungamento della durata della batteria

1. **Caricare le batterie prima di scaricarle completamente.**
Se si nota una diminuzione di potenza dell'utensile, interrompere il lavoro e ricaricare la batteria.
2. **Non ricaricare una batteria già completamente carica.**
In caso contrario, la durata operativa della batteria potrebbe ridursi.
3. **Caricare la batteria in ambienti con temperatura compresa tra 10 °C e 40 °C. Prima di caricare una batteria surriscaldata, lasciarla raffreddare.**
4. **Caricare la batteria una volta ogni sei mesi se l'utensile rimane inutilizzato per lungo tempo.**

DESCRIZIONE FUNZIONALE

⚠ ATTENZIONE:

- Prima di regolare o controllare le funzioni dell'utensile, verificare sempre di averlo spento e di aver rimosso la batteria.

Installazione o rimozione della batteria (Fig. 1)

- Prima di installare o rimuovere la batteria, spegnere sempre l'utensile.
- Per rimuovere la batteria, estrarla dall'utensile facendo scivolare il pulsante nella parte anteriore della batteria
- Per installare la batteria, allineare la linguetta sulla batteria con la scanalatura dell'alloggiamento e farla scorrere fino a raggiungere la posizione corretta. Inserire sempre la batteria fino a quando si blocca in posizione con uno scatto. Se l'indicatore rosso sul lato superiore del pulsante è ancora visibile, la batteria non è completamente inserita. Inserirla completamente, fino a quando l'indicatore rosso non è più visibile. In caso contrario l'adattatore può fuoriuscire accidentalmente dall'utensile e provocare lesioni all'operatore o a eventuali osservatori.
- Non applicare una forza eccessiva per installare la batteria. Se la batteria non scorre agevolmente, la manovra di inserimento non è corretta.

Sistema di protezione batteria (batteria con un segno a stella) (Fig. 2)

La batteria con un segno a stella è dotata di un sistema di protezione che interrompe automaticamente il flusso di corrente per garantirne una maggiore durata.

Se l'utensile e/o la batteria vengono utilizzati nelle situazioni indicate di seguito, l'utensile potrebbe arrestarsi durante il funzionamento. Questo comportamento è causato dall'attivazione del sistema di protezione e non deve essere considerato come un problema di funzionamento.

- Quando l'utensile è sovraccarico:
Rilasciare l'interruttore di accensione, rimuovere la batteria e rimuovere le cause del sovraccarico, quindi tirare di nuovo l'interruttore di accensione per riavviare l'utensile.
- Quando le celle della batteria si surriscaldano:
Se viene azionato l'interruttore di accensione, il motore resta fermo. A questo punto, smettere di utilizzare l'utensile e farlo raffreddare oppure caricare la batteria dopo averla rimossa dall'utensile.
- Se la capacità residua della batteria è ridotta:
Se viene azionato l'interruttore di accensione, il motore resta fermo. A questo punto, rimuovere la batteria dall'utensile e caricarla.

Azionamento dell'interruttore (Fig. 3)

⚠ ATTENZIONE:

- Prima di inserire la batteria nell'utensile, controllare se l'interruttore funziona correttamente e ritorna alla posizione "OFF" una volta rilasciato.

Per avviare l'utensile è sufficiente premere l'interruttore.

Per aumentare la velocità dell'utensile, aumentare la pressione sull'interruttore. Per spegnere l'utensile, rilasciare la leva di comando dell'interruttore.

NOTA:

- Anche se l'interruttore è acceso e il motore in funzione, la punta non ruoterà finché la sua parte estrema non viene fissata nella testa della vite e non viene applicata una pressione in avanti per innestare la frizione.

Accensione delle lampada frontale (Fig. 4)

⚠ ATTENZIONE:

- Non osservare direttamente la luce o la fonte luminosa. Per accendere la lampada, azionare l'interruttore. La lampada rimane accesa fino a quando si tiene premuto l'interruttore. La lampada si spegne automaticamente 10 - 15 secondi dopo aver rilasciato l'interruttore.

NOTA:

- Utilizzare un panno asciutto per pulire la lente della lampada. Fare attenzione a non graffiare la lente della lampada per evitare riduzioni dell'intensità luminosa.

Azionamento della leva di inversione della rotazione (Fig. 5)

Questo utensile è dotato di una leva di inversione che consente di modificare la direzione di rotazione. Premere la leva di inversione dal lato A se si desidera una rotazione in senso orario, dal lato B se si desidera una rotazione in senso antiorario.

Quando la leva di inversione si trova nella posizione centrale è impossibile azionare l'interruttore.

⚠ ATTENZIONE:

- Prima di azionare l'utensile, controllare sempre la direzione di rotazione impostata.
- Utilizzare la leva di inversione solo quando l'utensile è completamente fermo. Modificare la direzione di rotazione prima dell'arresto può danneggiare l'utensile.

Se non si utilizza l'utensile, posizionare sempre la leva di inversione nella posizione centrale.

Regolazione di profondità (Fig. 6)

Per regolare la profondità servirsi del posizionatore. Girarlo nella direzione "B" per diminuire la profondità e nella direzione "A" per aumentarla. Un giro completo equivale a una variazione della profondità pari a 2 mm. (Fig. 7)

Regolare il posizionatore in modo tale che la distanza tra la sua punta e la testa della vite sia di circa 3 mm come mostrato nelle figure. Avvitare una vite di prova nel materiale o in un pezzo di materiale non utilizzato. Se la profondità non è ancora adatta alla vite utilizzata, continuare la regolazione fino a ottenere la profondità adeguata.

MONTAGGIO

⚠ ATTENZIONE:

- Prima di eseguire qualsiasi operazione sull'utensile, verificare sempre di averlo spento e di aver rimosso la batteria.

Installazione o rimozione della punta (Fig. 8)

Per rimuovere la punta, tirare il posizionatore. Afferrare quindi la punta con un paio di pinze ed estrarre la punta dall'inserito magnetico. A volte potrebbe essere utile muovere le pinze da una parte e dall'altra mentre si estrae la punta. (Fig. 9)

Per installare la punta, inserirla spingendola nell'inserito magnetico. Installare quindi il posizionatore spingendolo saldamente indietro.

Gancio (Fig. 10)

Il gancio è utile per appendere temporaneamente l'utensile. Può essere installato su entrambi i lati dell'utensile.

Per installare il gancio, inserirlo in una delle scanalature presenti su ambo i lati dell'alloggiamento dell'utensile e fissarlo con una vite. Per rimuovere il gancio, allentare la vite ed estrarlo.

USO

Avvitatura (Fig. 11)

Appoggiare la vite sulla punta e posizionare la punta della vite sulla superficie del pezzo da fissare. Applicare pressione all'utensile e avviarlo. Ritirare l'utensile non appena si innesta la frizione. Rilasciare l'interruttore.

⚠ ATTENZIONE:

- Quando si appoggia la vite sulla punta, prestare attenzione a spingere la punta sulla vite. Se si spinge

la vite, si innesta la frizione e la vite inizia a girare all'improvviso. Questo potrebbe danneggiare il pezzo in lavorazione o provocare lesioni.

- Accertarsi di aver inserito la punta correttamente nella testa della vite. In caso contrario la punta o la vite potrebbero danneggiarsi.

MANUTENZIONE

⚠ ATTENZIONE:

- Prima di effettuare controlli e operazioni di manutenzione, verificare sempre di aver spento l'utensile e di aver rimosso la batteria.
- Evitare assolutamente di usare benzina, diluenti, solventi, alcol o sostanze simili. In caso contrario, potrebbero verificarsi scoloriture, deformazioni o incrinature.

Per mantenere la SICUREZZA e l'AFFIDABILITÀ del prodotto, le riparazioni, il controllo della spazzola di carbone, le sostituzioni e qualsiasi altra operazione di manutenzione o regolazione devono essere eseguite da un centro di assistenza Makita autorizzato usando sempre ricambi Makita.

ACCESSORI OPZIONALI

⚠ ATTENZIONE:

- Si consiglia l'uso dei seguenti accessori per l'utensile Makita descritto in questo manuale. L'uso di qualsiasi altro accessorio potrebbe provocare lesioni personali. Utilizzare gli accessori esclusivamente per l'uso dichiarato.

Per l'assistenza e per ulteriori informazioni su tali accessori, rivolgersi al centro assistenza Makita di zona.

- Punte a croce da inserto
- Inserto magnetico
- Numerosi modelli di batterie e caricabatteria originali Makita
- Valigetta di trasporto di plastica

NOTA:

- Alcuni degli accessori elencati potrebbero essere inclusi nella confezione dell'utensile come accessori standard. Gli accessori standard possono differire da paese a paese.

Rumore

ENG905-1

Il tipico livello di rumore ponderato "A" è determinato in conformità con la norma EN60745:

Modello DFS441

Livello di pressione sonora (L_{pA}): 70 dB (A) o inferiore
Variazione (K): 3 dB (A)

Il livello acustico in esercizio può superare 80 dB (A).

Modello DFS451

Livello di pressione sonora (L_{pA}): 71 dB (A)
Variazione (K): 3 dB (A)

Il livello acustico in esercizio può superare 80 dB (A).

Indossare una protezione acustica.

Vibrazione

ENG900-1

Il valore totale delle vibrazioni (somma vettoriale triassiale) è determinato in conformità con la norma EN60745:

Modalità di lavoro: avvitatura senza impatto
Emissione di vibrazioni (a_{h1}): 2,5 m/s² o inferiore
Variazione (K): 1,5 m/s²

- Il valore di emissione delle vibrazioni dichiarato è stato misurato in conformità con il metodo di test standard e può essere utilizzato per confrontare tra loro diversi utensili.
- Il valore dell'emissione delle vibrazioni dichiarato può anche essere usato per stime preliminari dell'esposizione.

⚠ AVVERTENZA:

- L'emissione delle vibrazioni durante l'uso effettivo dell'utensile elettrico può risultare diversa rispetto al valore dichiarato, in base alla modalità d'uso dell'utensile.
- Assicurarsi di individuare le necessarie misure di sicurezza per proteggere l'operatore in base a una stima dell'esposizione nelle condizioni reali di utilizzo (prendendo in considerazione tutte le fasi del ciclo operativo, come quante volte l'utensile viene spento e i periodi in cui rimane inattivo, oltre al tempo di avviamento).

Solo per i paesi europei

ENH101-15

Dichiarazione di conformità CE

Makita Corporation, in qualità di produttore responsabile, dichiara che le macchine Makita indicate di seguito:

Denominazione della macchina:

Avvitatore senza fili

N. modello/Tipo: DFS441, DFS451

appartengono a una produzione in serie e

sono conformi alle seguenti direttive europee:

2006/42/EC

Sono inoltre prodotte in conformità con gli standard o i documenti standardizzati riportati di seguito:

EN60745

La documentazione tecnica viene conservata dal rappresentante autorizzato in Europa, ovvero:

Makita International Europe Ltd.

Michigan Drive, Tongwell,

Milton Keynes, Bucks MK15 8JD, Inghilterra

14. 9. 2010



Tomoyasu Kato

Direttore

Makita Corporation

3-11-8, Sumiyoshi-cho,

Anjo, Aichi, 446-8502, JAPAN

NEDERLANDS (Originele instructies)

Verklaring van het onderdelenoverzicht

1. Rode deel	6. Lamp	11. Groef
2. Knop	7. Omkeerschakelaar	12. Haak
3. Accu	8. Opzetkop	13. Schroef
4. Ster-merkteken	9. Boor	
5. Aan/uit-schakelaar	10. Magnetische bithouder	

TECHNISCHE GEGEVENS

Model		DFS441	DFS451
Maximale dikten	Gipsplaatschroef	4 mm	4 mm
Nullasttoerental (min ⁻¹)		0 - 4.000	0 - 4.000
Totale lengte	Met korte diepte-instelling	281 mm	281 mm
	Met lange diepte-instelling	296 mm	296 mm
Netto gewicht		1,4 kg	1,5 kg
Nominale spanning		14,4 volt gelijkstroom	18 volt gelijkstroom

- Als gevolg van ons doorlopende onderzoeks- en ontwikkelingsprogramma, zijn de technische gegevens van dit gereedschap onderhevig aan veranderingen zonder voorafgaande kennisgeving.
- Specificaties en accu's kunnen van land tot land verschillen.
- Gewicht, inclusief de accu, volgens de EPTA-procedure 01/2003

Gebruiksdoelinden ENE033-1

Het gereedschap is bedoeld voor schroeven in hout, metaal en kunststof.

Algemene veiligheidswaarschuwingen voor elektrisch gereedschap GEA010-1

⚠ WAARSCHUWING Lees alle veiligheidswaarschuwingen en alle instructies. Het niet volgen van de waarschuwingen en instructies kan leiden tot elektrische schokken, brand en/of ernstig letsel.

Bewaar alle waarschuwingen en instructies om in de toekomst te kunnen raadplegen.

VEILIGHEIDSWAARSCHUWINGEN SPECIFIEK VOOR EEN ACCUSCHROEFMACHINE GEB050-2

1. Houd het elektrisch gereedschap vast aan het geïsoleerde oppervlak van de handgrepen wanneer u werkt op plaatsen waar het bevestigingsmateriaal met verborgen bedrading in aanraking kan komen. Wanneer bevestigingsmaterialen in aanraking komen met onder spanning staande draden, zullen de niet-geïsoleerde metalen delen van het gereedschap onder spanning komen te staan zodat de gebruiker een elektrische schok kan krijgen.
2. Zorg er altijd voor dat u stevig staat. Zorg ervoor dat er niemand zich onder u bevindt wanneer u het gereedschap op een hoge plaats gebruikt.
3. Houd het gereedschap stevig vast.

4. Houd uw handen uit de buurt van draaiende delen.
5. Raak de bit en het werkstuk niet onmiddellijk na gebruik aan. Zij kunnen bijzonder heet zijn en brandwonden op uw huid veroorzaken.

BEWAAR DEZE INSTRUCTIES.

⚠ WAARSCHUWING:
Laat u NIET misleiden door een vals gevoel van comfort en bekendheid met het gereedschap (na veelvuldig gebruik) en neem alle veiligheidsvoorschriften van het betreffende product altijd strikt in acht. VERKEERD GEBRUIK of het niet volgen van de veiligheidsinstructies in deze gebruiksaanwijzing kan leiden tot ernstig persoonlijk letsel.

BELANGRIJKE VEILIGHEIDSWAARSCHUWINGEN ENC007-7

VOOR ACCU'S

1. Alvorens de accu in gebruik te nemen, leest u eerst alle instructies en waarschuwingsopschriften op (1) de acculader, (2) de accu en (3) het apparaat waarin de accu wordt aangebracht.
2. Haal de accu niet uit elkaar.
3. Als de gebruikstijd aanzienlijk korter is geworden, stopt u onmiddellijk met het gebruik. Anders kan dit leiden tot kans op oververhitting, mogelijke brandwonden en zelfs een explosie.
4. Als de elektrolyt in uw ogen komt, wast u deze uit met schoon water en raadpleegt u onmiddellijk een arts. Dit kan leiden tot verlies van gezichtsvermogen.
5. Sluit de accu niet kort:

- (1) Raak de accupolen niet aan met enig geleidend materiaal.
 - (2) Bewaar de accu niet op een plaats waar deze in aanraking kan komen met andere metalen voorwerpen, zoals spijkers, munten, enz.
 - (3) Stel de accu niet bloot aan water of regen. Kortsluiting van de accu kan leiden tot een hoge stroomsterkte, oververhitting, mogelijke brandwonden en zelfs een defect.
6. Bewaar het gereedschap en de accu niet op plaatsen waar de temperatuur kan oplopen tot 50 °C of hoger.
 7. Werp de accu niet in een vuur, zelfs niet als deze al ernstig beschadigd of helemaal versleten is. De accu kan in een vuur exploderen.
 8. Wees voorzichtig dat u de accu niet laat vallen of ergens tegenaan stoot.
 9. Gebruik nooit een beschadigde accu.

BEWAAR DEZE INSTRUCTIES.

Tips voor een lange levensduur van de accu

1. Laad de accu op voordat deze volledig leeg is. Wanneer u merkt dat het gereedschap minder vermogen heeft, stopt u met het gebruik ervan en laadt u eerst de accu op.
2. Laad nooit een volledig opgeladen accu op. Te lang opladen verkort de levensduur van de accu.
3. Laad de accu op bij een omgevingstemperatuur van 10 °C tot 40 °C. Laat een warme accu eerst afkoelen voordat u deze oplaadt.
4. Laad de accu ieder half jaar op als u deze gedurende een lange tijd niet gebruikt.

BESCHRIJVING VAN DE FUNCTIES

⚠ LET OP:

- Zorg ervoor dat het gereedschap is uitgeschakeld en dat de accu is verwijderd voordat u de werking van het gereedschap aanpast of controleert.

De accu aanbrengen en verwijderen (zie afb. 1)

- Schakel het gereedschap altijd uit voordat u de accu aanbrengt of verwijderd.
- Om de accu te verwijderen verschuift u de knop aan de voorkant van de accu en schuift u tegelijkertijd de accu van het gereedschap af.
- Om de accu aan te brengen lijnt u de lip op de accu uit met de groef in de behuizing en duwt u de accu op zijn plaats. Steek de accu zo ver mogelijk in het gereedschap tot u een klikgeluid hoort. Als u het rode deel aan de bovenkant van de knop kunt zien, is de accuadapter niet goed aangebracht. Breng de accuadapter zo ver mogelijk aan tot het rode deel niet meer zichtbaar is. Als u dit niet doet, kan de accu per ongeluk uit het gereedschap vallen en u of anderen in uw omgeving verwonden.

- Oefen geen grote kracht uit bij het aanbrengen van de accu. Als de accu niet gemakkelijk erin kan worden geschoven, wordt deze niet goed aangebracht.

Accubeveiligingssysteem (accu met een ster-merkteken) (zie afb. 2)

Een accu waarop het ster-merkteken staat is voorzien van een beveiligingssysteem dat automatisch het uitgangsvermogen onderbreekt voor een langere levensduur.

Het gereedschap stopt tijdens het gebruik wanneer het gereedschap en/of de accu zich in de volgende situatie bevinden. Dit wordt veroorzaakt door de inwerkingtreding van het beveiligingssysteem en duidt niet op een defect van het gereedschap.

- Bij overbelasting van het gereedschap:
 - Als dit het geval is, laat u de aan/uit-schakelaar los, verwijdert u de accu, heft u de oorzaak van de overbelasting op en knijpt u daarna de aan/uit-schakelaar weer in om verder te gaan.
- Als de accucellen heet zijn geworden:
 - Als de aan/uit-schakelaar wordt bediend, blijft het gereedschap stilstaan. Als dit het geval is, bedient u het gereedschap niet meer, verwijdert u de accu van het gereedschap, en laat u de accu afkoelen of laadt u hem op.
- Als de resterende acculading laag is:
 - Als de aan/uit-schakelaar wordt bediend, blijft het gereedschap stilstaan. Als dit het geval is, verwijdert u de accu van het gereedschap en laadt u hem op.

Aan/uit-schakelaars (zie afb. 3)

⚠ LET OP:

- Controleer altijd, voordat u de accu in het gereedschap steekt, of de aan/uit-schakelaar op de juiste manier schakelt en weer terugkeert naar de uit-stand nadat deze is losgelaten.

Om het gereedschap in te schakelen, knijpt u gewoon de aan/uit-schakelaar in. De draaisnelheid van het gereedschap neemt toe naarmate u meer druk uitoefent op de aan/uit-schakelaar. Laat de aan/uit-schakelaar los om het gereedschap te stoppen.

OPMERKING:

- Zelfs als de aan/uit-schakelaar is ingeschakeld en de motor draait, zal de bit pas gaan draaien nadat u de punt van het bit in een schroefkop hebt geplaatst en voorwaartse druk uitoefent zodat de koppeling aangrijpt.

De lamp op de voorkant inschakelen (zie afb. 4)

⚠ LET OP:

- Kijk niet rechtstreeks in het licht of naar de bron van de lamp.

Knijp de aan/uit-schakelaar in om de lamp op de voorkant in te schakelen. De lamp blijft branden zolang u de aan/uit-schakelaar ingeknepen houdt. De lamp gaat 10 tot 15 seconden nadat u de aan/uit-schakelaar hebt losgelaten uit.

OPMERKING:

- Gebruik een doek om het vuil van de lens van de lamp te vegen. Wees voorzichtig de lens van de lamp niet te bekrassen om de lichtopbrengst niet te verlagen.

Werking van de omkeerschakelaar (zie afb. 5)

Dit gereedschap is uitgerust met een omkeerschakelaar waarmee u de draairichting kunt omkeren. Druk op de omkeerschakelaar vanaf kant A voor de draairichting rechtsom, of vanaf kant B voor de draairichting linksom. Wanneer de omkeerschakelaar in de middenstand staat, kunt u de aan/uit-schakelaar niet inknippen.

LET OP:

- Controleer altijd de draairichting alvorens het gereedschap te gebruiken.
- Gebruik de omkeerschakelaar alleen nadat het gereedschap volledig tot stilstand is gekomen. Als u de draairichting verandert voordat het gereedschap volledig stilstaat, kan het gereedschap worden beschadigd.

Als u het gereedschap niet gebruikt, zet u de omkeerschakelaar altijd in de middenstand.

Diepteregeling (zie afb. 6)

De diepte kan worden ingesteld door de diepte-instelring te draaien. Draai deze in de richting "B" voor minder diep schroeven en in de richting "A" voor dieper schroeven. Een volledige omwenteling van de diepte-instelring staat gelijk aan 2 mm verschil in diepte. (zie afb. 7) Stel de diepte-instelring zodanig in dat de afstand tussen de punt van de diepte-instelring en de kop van de schroef ongeveer 3 mm is, zoals aangegeven in de afbeeldingen. Draai bij wijze van proef een schroef in het materiaal of een stuk gelijkwaardig materiaal. Als de diepte nog niet geschikt is voor de schroef, past u de diepte-instelring aan tot u de juiste diepte-instelling bereikt.

DE ONDERDELEN MONTEREN

LET OP:

- Controleer altijd of het gereedschap is uitgeschakeld en de accu is verwijderd alvorens enige werkzaamheden aan het gereedschap te verrichten.

Het bit aanbrengen en verwijderen (zie afb. 8)

Om het bit te verwijderen, trekt u aan de diepte-instelring van het gereedschap af. Pak daarna het bit beet met een tang en trek het bit uit de magnetische bithouder. Soms is het handig met de tang het bit heen en weer te bewegen terwijl u eraan trekt. (zie afb. 9)

Om het bit aan te brengen, duwt u hem stevig in de magnetische bithouder. Breng daarna de diepte-instelling aan door deze stevig erop te duwen.

Haak (zie afb. 10)

De haak is handig om het gereedschap tijdelijk aan op te hangen. Deze kan aan beide kanten van het gereedschap worden bevestigd.

U bevestigt de haak door deze in een groef in de behuizing van het gereedschap te steken en vast te

zetten met een schroef. Om de haak te verwijderen, draait u de schroef los en haalt u de haak van het gereedschap af.

BEDIENING

Gebruik als schroevendraaier (zie afb. 11)

Plaats de schroef op de punt van de bit en plaats de punt van de schroef op het oppervlak van het werkstuk dat u wilt vastschroeven. Oefen druk uit op het gereedschap en schakel het in. Trek het gereedschap terug zodra de koppeling begint te slippen. Laat daarna de aan/uitschakelaar los.

LET OP:

- Wanneer u de schroef op de punt van de bit plaatst, mag u de schroef niet te hard erop duwen. Als de schroef te hard erop wordt geduwd, zal de koppeling in werking treden en de schroef plotseling gaan draaien. Hierdoor kan het werkstuk worden beschadigd of letsel worden veroorzaakt.
- Zorg ervoor dat de bit recht op de schroefkop staat omdat anders de schroef en/of de bit kunnen worden beschadigd.

ONDERHOUD

LET OP:

- Zorg er altijd voor dat het gereedschap is uitgeschakeld en de accu is verwijderd, voordat u een inspectie of onderhoud uitvoert.
- Gebruik nooit benzine, wasbenzine, thinner, alcohol, enz. Dit kan leiden tot verkleuren, vervormen of barsten.

Om de VEILIGHEID en BETROUWBAARHEID van het gereedschap te handhaven, dienen alle reparaties, controle en vervanging van de koelborstels, onderhoud en afstellingen te worden uitgevoerd door een erkend Makita-servicecentrum, en altijd met gebruikmaking van originele Makita-vervangingsonderdelen.

VERKRIJGBARE ACCESSOIRES

LET OP:

- Deze accessoires of hulpstukken worden aanbevolen voor gebruik met het Makita-gereedschap dat in deze gebruiksaanwijzing wordt beschreven. Het gebruik van andere accessoires of hulpstukken kan gevaar voor persoonlijk letsel opleveren. Gebruik de accessoires of hulpstukken uitsluitend voor de aangegeven gebruiksdoeleinden.

Mocht u meer informatie willen hebben over deze accessoires, dan kunt u contact opnemen met uw plaatselijke Makita-servicecentrum.

- Kruiskopinsteebits
- Magnetische bithouder
- Diverse types originele Makita-accu's en -acculaders
- Kunststoffen draagdoos

OPMERKING:

- Sommige items op de lijst kunnen zijn inbegrepen in de doos van het gereedschap als standaard toebehoren. Zij kunnen van land tot land verschillen.

Geluid ENG905-1
De typische, A-gewogen geluidsniveaus zijn gemeten volgens EN60745:

Model DFS441

Geluidsdrukniveau (L_{pA}): 70 dB (A) of lager
Onzekerheid (K): 3 dB (A)

Het geluidsniveau kan tijdens gebruik hoger worden dan 80 dB (A).

Model DFS451

Geluidsdrukniveau (L_{pA}): 71 dB (A)
Onzekerheid (K): 3 dB (A)

Het geluidsniveau kan tijdens gebruik hoger worden dan 80 dB (A).

Draag gehoorbescherming.

Trillingen ENG900-1
De totale trillingswaarde (triaxiale vectorsom) zoals vastgesteld volgens EN60745:

Gebruikstoepassing: schroeven zonder slag
Trillingsemmissie (a_h): 2,5 m/s² of lager
Onzekerheid (K): 1,5 m/s²

ENG901-1

- De opgegeven trillingsemmissiewaarde is gemeten volgens de standaardtestmethode en kan worden gebruikt om dit gereedschap te vergelijken met andere gereedschappen.
- De opgegeven trillingsemmissiewaarde kan ook worden gebruikt voor een beoordeling vooraf van de blootstelling.

⚠ WAARSCHUWING:

- De trillingsemmissie tijdens het gebruik van het elektrisch gereedschap in de praktijk kan verschillen van de opgegeven trillingsemmissiewaarde afhankelijk van de manier waarop het gereedschap wordt gebruikt.
- Zorg ervoor dat veiligheidsmaatregelen worden getroffen ter bescherming van de operator die zijn gebaseerd op een schatting van de blootstelling onder praktijkomstandigheden (rekening houdend met alle fasen van de bedrijfscyclus, zoals de tijdsduur gedurende welke het gereedschap is uitgeschakeld en stationair draait, naast de ingeschakelde tijdsduur).

Alleen voor Europese landen ENG101-15
EU-verklaring van conformiteit

Wij, Makita Corporation, als de verantwoordelijke fabrikant, verklaren dat de volgende Makita-machine(s):

Aanduiding van de machine:

Accuschroefmachine

Modelnr./Type: DFS441 en DFS451

in serie zijn geproduceerd en

Voldoen aan de volgende Europese richtlijnen:

2006/42/EC

En zijn gefabriceerd in overeenstemming met de volgende normen of genormaliseerde documenten:

EN60745

De technische documentatie wordt bewaard door onze erkende vertegenwoordiger in Europa, te weten:

Makita International Europe Ltd.
Michigan Drive, Tongwell,
Milton Keynes, Bucks MK15 8JD, Engeland

14. 9. 2010



Tomoyasu Kato
Directeur

Makita Corporation
3-11-8, Sumiyoshi-cho,
Anjo, Aichi, 446-8502, JAPAN

ESPAÑOL (Instrucciones originales)

Explicación de los dibujos

- | | | |
|---------------------------|---|--------------|
| 1. Indicador rojo | 6. Lámpara | 11. Ranura |
| 2. Botón | 7. Palanca del interruptor de inversión | 12. Gancho |
| 3. Cartucho de la batería | 8. Posicionador | 13. Tornillo |
| 4. Marca de estrella | 9. Punta | |
| 5. Interruptor disparador | 10. Portabrocas magnético | |

ESPECIFICACIONES

Modelo		DFS441	DFS451
Capacidades	Tornillo para cartón yeso	4 mm	4 mm
Velocidad en vacío (min ⁻¹)		0 - 4.000	0 - 4.000
Longitud total	Con posicionador corto	281 mm	281 mm
	Con posicionador largo	296 mm	296 mm
Peso neto		1,4 kg	1,5 kg
Tensión nominal		14,4 V CC	18 V CC

- Debido a nuestro programa continuo de investigación y desarrollo, las especificaciones aquí descritas están sujetas a cambios sin previo aviso.
- Las especificaciones y el cartucho de la batería pueden variar de un país a otro.
- Peso, con el cartucho de la batería, de acuerdo con el procedimiento EPTA 01/2003

Uso previsto

ENE033-1

Esta herramienta está diseñada para atornillar en madera, metal y plástico.

5. No toque la broca ni la pieza de trabajo

inmediatamente después de la tarea; pueden estar extremadamente calientes y producir quemaduras en la piel.

Advertencias de seguridad generales para herramientas eléctricas

GEA010-1

⚠ ADVERTENCIA Lea todas las advertencias de seguridad y todas las instrucciones. La no observancia de las advertencias y las instrucciones puede provocar descargas eléctricas, incendios y/o lesiones graves.

Guarde todas las advertencias e instrucciones para futuras consultas.

GUARDE ESTAS INSTRUCCIONES.

⚠ ADVERTENCIA:

NO deje que la comodidad o la familiaridad con el producto (a base de utilizarlo repetidamente) sustituya la estricta observancia de las normas de seguridad del producto en cuestión. El MAL USO o la no observancia de las normas de seguridad expuestas en este manual de instrucciones pueden ocasionar graves daños corporales.

ADVERTENCIAS DE SEGURIDAD DEL ATORNILLADOR INALÁMBRICO

GEB050-2

1. Sujete la herramienta por las superficies de agarre aisladas al realizar una operación en que la herramienta pueda entrar en contacto con cables ocultos. Si entra en contacto con un cable con corriente, puede que las piezas metálicas expuestas de la herramienta eléctrica se carguen también de corriente y que el operario reciba una descarga.
2. Colóquese siempre en una posición bien equilibrada. Si utiliza la herramienta en una ubicación elevada, asegúrese de que nadie se encuentre debajo.
3. Sujete con fuerza la herramienta.
4. Mantenga las manos alejadas de las partes giratorias.

INSTRUCCIONES DE SEGURIDAD IMPORTANTES

ENC007-7

PARA EL CARTUCHO DE LA BATERÍA

1. Antes de utilizar el cartucho de la batería, lea todas las instrucciones y referencias de precaución que se encuentran en (1) el cargador de baterías, (2) la batería y (3) el producto que utiliza la batería.
2. No desmonte el cartucho de la batería.
3. Si el tiempo de funcionamiento es excesivamente corto, deje de utilizar la herramienta de inmediato. De lo contrario, existe el riesgo de sobrecalentamiento, quemaduras e incluso explosión.
4. Si se produce contacto ocular con electrolito, enjuáguese los ojos con agua limpia y acuda de

urgencia al médico. Corre el riesgo de perder la visión.

5. **No cortocircuite el cartucho de la batería:**
 - (1) **No toque los terminales con material conductor.**
 - (2) **Evite guardar el cartucho de la batería en un recipiente con otros objetos metálicos, como clavos, monedas, etc.**
 - (3) **No exponga el cartucho de la batería al agua o a la lluvia.**

Un cortocircuito puede provocar un elevado flujo de corriente, sobrecalentamiento, quemaduras o incluso una avería.
6. **No almacene la herramienta ni el cartucho de la batería en lugares donde la temperatura supere los 50°C (122°F).**
7. **No queme el cartucho de la batería aunque esté gravemente dañado o completamente gastado. El cartucho de la batería puede explotar si entra en contacto con fuego.**
8. **Procure que la batería no sufra golpes ni caídas.**
9. **No utilice una batería dañada.**

GUARDE ESTAS INSTRUCCIONES.

Consejos para conseguir una mayor duración de la batería

1. **Cargue la batería antes de que se descargue por completo.**

Cuando observe que la herramienta tiene menos potencia, deje de utilizarla y cargue el cartucho de la batería.
2. **No recargue nunca un cartucho de batería completamente cargado.**

La sobrecarga acorta la vida útil de la batería.
3. **Cargue el cartucho de la batería a una temperatura ambiente que oscile entre 10°C y 40°C (50°F - 104°F). Antes de cargar un cartucho de batería caliente, deje que se enfríe.**
4. **Cargue la batería una vez cada seis meses si no la utiliza durante un período de tiempo prolongado.**

DESCRIPCIÓN DEL FUNCIONAMIENTO

⚠ PRECAUCIÓN:

- Antes de ajustar o de comprobar la herramienta, asegúrese siempre de que está apagada y de que la batería ha sido extraída.

Instalación o extracción del cartucho de la batería (Fig. 1)

- Apague siempre la herramienta antes de instalar o extraer el cartucho de la batería.
- Para quitar el cartucho de la batería, mantenga pulsado el botón de la parte frontal del cartucho y retírelo.
- Para instalar el cartucho de la batería, alinee la lengüeta situada en el cartucho de la batería con la ranura del alojamiento e insértela. Insértela completamente hasta que quede firmemente sujeta y

- se bloquee con un clic. Si puede ver el indicador rojo de la zona superior del botón, significa que el cartucho no está completamente bloqueado. Instálelo completamente hasta que el indicador rojo quede oculto. De lo contrario, el cartucho puede desprenderse accidentalmente de la herramienta y causar lesiones al operario o a alguna persona que se encuentre cerca.
- No haga fuerza al instalar el cartucho de la batería. Si no se inserta suavemente, significa que no lo está instalando correctamente.

Sistema de protección de la batería (cartucho de batería con una marca de estrella) (Fig. 2)

El cartucho de batería con una marca de estrella está equipado con un sistema de protección que, automáticamente, corta la alimentación para prolongar su vida útil.

La herramienta se detiene durante el funcionamiento si la herramienta y/o la batería se someten al siguiente estado. Esto se debe a la activación del sistema de protección y no indica ningún problema de la herramienta.

- Cuando la herramienta está sobrecargada:

Suelte el interruptor disparador, extraiga el cartucho de la batería y elimine las causas de la sobrecarga. A continuación, vuelva a accionar el interruptor disparador para volver a ponerla en marcha.
- Cuando las celdas de la batería se calienten:

Aunque se accione el interruptor disparador, el motor permanecerá detenido. En ese caso, deje de utilizar la herramienta y refrigere o cargue el cartucho de la batería tras extraerlo de la herramienta.
- Cuando la capacidad restante de la batería sea baja:

Aunque se accione el interruptor disparador, el motor permanecerá detenido. En ese caso, extraiga el cartucho de la batería de la herramienta y cárguelo.

Accionamiento del interruptor (Fig. 3)

⚠ PRECAUCIÓN:

- Antes de insertar el cartucho de la batería en la herramienta, asegúrese siempre de que el interruptor disparador funciona como es debido y que vuelve a la posición "OFF" (apagado) al soltarlo.

Para poner en marcha la herramienta, simplemente accione el interruptor disparador. La velocidad de la herramienta aumenta al incrementar la presión sobre el interruptor disparador. Suelte el interruptor disparador para detener la herramienta.

NOTA:

- Incluso con el interruptor activado y el motor en marcha, la punta no girará hasta que usted encaje el extremo de la punta en la cabeza del tornillo y aplique presión hacia delante para accionar el embrague.

Encendido de la luz frontal (Fig. 4)

⚠ PRECAUCIÓN:

- No mire hacia la luz ni mire directamente hacia la fuente de luz.

Tire del interruptor disparador para encender la luz. La luz permanece encendida mientras se acciona el interruptor

disparador. La luz se apaga entre 10 y 15 segundos después de soltar el disparador.

NOTA:

- Utilice un paño seco para limpiar la suciedad del cristal de la lámpara. Procure no rayar el cristal de la lámpara, puesto que puede disminuir el grado de iluminación.

Funcionamiento del interruptor de inversión (Fig. 5)

Esta herramienta está provista de un interruptor de inversión para cambiar la dirección de giro. Apriete la palanca del interruptor de inversión por el lado A para obtener un giro a la derecha o por el lado B para girar a la izquierda.

Cuando la palanca del interruptor de inversión está en la posición neutral, el interruptor disparador no se puede accionar.

⚠ PRECAUCIÓN:

- Antes de trabajar, compruebe siempre la dirección del giro.
- Utilice el interruptor de inversión sólo cuando la herramienta se haya detenido por completo, ya que, de lo contrario, la herramienta podría averiarse.

Cuando no utilice la herramienta, coloque siempre la palanca del interruptor de inversión en la posición neutral.

Ajuste de profundidad (Fig. 6)

La profundidad se puede ajustar girando el posicionador. Gírelo en la dirección "B" para lograr una menor profundidad y en la dirección "A" para lograr una mayor profundidad. Un giro completo del posicionador equivale a un cambio de profundidad de 2 mm. (Fig. 7)

Ajuste el posicionador para que la distancia entre la punta del posicionador y la cabeza del tornillo sea aproximadamente de 3 mm como se muestra en las figuras. Atornille un tornillo de prueba en el material o en una pieza de un duplicado del material. Si la profundidad aún no es adecuada para el tornillo, continúe ajustando hasta que obtenga el ajuste de profundidad correcto.

MONTAJE

⚠ PRECAUCIÓN:

- Asegúrese siempre de apagar la herramienta y extraer el cartucho de la batería antes de intentar realizar cualquier tipo de operación en la herramienta.

Instalación o extracción de la punta (Fig. 8)

Para extraer la punta, tire del posicionador. A continuación, sujete la punta con unos alicates y tire de ella para extraerla del portabrocas magnético. A veces puede resultar útil mover la punta con los alicates mientras tira de ella. (Fig. 9)

Para instalar la punta, empújela firmemente en el portabrocas magnético. A continuación, instale el posicionador insertándolo con fuerza.

Gancho (Fig. 10)

El gancho es útil para colgar la herramienta. Puede instalarse en cualquier lado de la herramienta.

Para instalar el gancho, insértelo en una de las ranuras situadas a ambos lados de la herramienta y, a continuación, fíjelo con un tornillo. Para extraerlo, afloje el tornillo y quítelo.

FUNCIONAMIENTO

Función de atornillamiento (Fig. 11)

Encaje el tornillo en el extremo de la punta y coloque la punta del tornillo en la superficie de la pieza de trabajo que se va a atornillar. Ejercer presión sobre la herramienta y póngala en marcha. Retire la herramienta en cuanto se active el embrague y, a continuación, suelte el disparador.

⚠ PRECAUCIÓN:

- Cuando encaje el tornillo en el extremo de la punta, tenga cuidado de no ejercer presión sobre él. Si se ejerce presión sobre el tornillo, el embrague se puede activar y el tornillo puede girar repentinamente. Podría dañarse una pieza de trabajo o podrían provocarse lesiones.
- Asegúrese de insertar la punta en la cabeza del tornillo de forma recta, ya que, de lo contrario, el tornillo y/o la punta podrían sufrir daños.

MANTENIMIENTO

⚠ PRECAUCIÓN:

- Asegúrese de apagar siempre la herramienta y extraer el cartucho de la batería antes de intentar realizar cualquier trabajo de inspección o mantenimiento en ella.
- Nunca utilice gasolina, benceno, disolvente, alcohol o un producto similar. Se puede provocar una decoloración, una deformación o grietas.

Para conservar la SEGURIDAD y la FIABILIDAD del producto, los trabajos de reparación, la inspección y la sustitución de las escobillas de carbón, así como otros trabajos de mantenimiento y ajuste, deberán ser realizados en centros de servicio autorizados de Makita, utilizando siempre piezas de repuesto de Makita.

ACCESORIOS OPCIONALES

⚠ PRECAUCIÓN:

- Se recomienda el uso de estos accesorios o complementos con la herramienta Makita especificada en este manual. El uso de otros accesorios o complementos puede conllevar el riesgo de ocasionar daños corporales. Utilice los accesorios o complementos solamente para su fin establecido.

Si necesita cualquier ayuda para obtener más información relativa a estos accesorios, pregunte a su centro de servicio Makita local.

- Puntas de inserción Phillips
- Portabrocas magnético
- Diversos tipos de baterías y cargadores originales de Makita
- Maletín de plástico para el transporte

NOTA:

- Algunos elementos de la lista se pueden incluir en el paquete de la herramienta como accesorios estándar. Pueden ser diferentes de un país a otro.

Ruido

ENG905-1

Niveles típicos de ruido ponderado A determinados conforme a EN60745:

Modelo DFS441

Nivel de presión de sonido (L_{pA}): 70 dB (A) o menos
Incertidumbre (K): 3 dB (A)

El nivel de ruido durante el trabajo puede superar los 80 dB (A).

Modelo DFS451

Nivel de presión de sonido (L_{pA}): 71 dB (A)
Incertidumbre (K): 3 dB (A)

El nivel de ruido durante el trabajo puede superar los 80 dB (A).

Utilice protección para los oídos.**Vibración**

ENG900-1

Valor total de la vibración (suma de vectores triaxiales) determinado según el estándar EN60745:

Modo de trabajo: atornillado sin impacto
Emisión de vibraciones (a_h): 2,5 m/s² o menos
Incertidumbre (K): 1,5 m/s²

ENG901-1

- El valor de emisión de vibraciones se ha medido de acuerdo con el método de prueba estándar y se puede utilizar para comparar herramientas.
- El valor de emisión de vibraciones declarado también se puede usar en una evaluación preliminar de la exposición.

⚠ ADVERTENCIA:

- La emisión de vibraciones durante el uso de la herramienta eléctrica puede diferir del valor de emisiones declarado, dependiendo de las formas en que se utiliza la herramienta.
- Asegúrese de identificar las mediciones correctas para proteger al operario, que se basan en una estimación de la exposición en condiciones de uso reales (teniendo en cuenta todas las partes del ciclo de operaciones, como los momentos en los que la herramienta está apagada y cuando funciona al ralentí además del tiempo en que está activado el interruptor).

Sólo para países europeos

ENH101-15

Declaración de conformidad de la CE

Nosotros, Makita Corporation, en calidad de fabricante responsable, declaramos que las siguientes máquinas Makita:

Designación de la máquina:

Atornillador Inalámbrico

Nº de modelo/ Tipo: DFS441, DFS451

son de producción serie y

Cumplen con las siguientes Directivas europeas:

2006/42/CE

Y se han fabricado de acuerdo con los siguientes estándares o documentos estandarizados:

EN60745

La documentación técnica la conserva nuestro representante autorizado en Europa, que es:

Makita International Europe Ltd.
Michigan Drive, Tongwell,
Milton Keynes, Bucks MK15 8JD, Inglaterra

14. 9. 2010



Tomoyasu Kato
Director

Makita Corporation
3-11-8, Sumiyoshi-cho,
Anjo, Aichi, 446-8502, JAPAN

PORTUGUÊS (Instruções de origem)

Descrição geral

- | | | |
|-----------------------|-----------------------------------|--------------|
| 1. Indicador vermelho | 6. Lâmpada | 11. Encaixe |
| 2. Botão | 7. Manipulo de mudança de rotação | 12. Gancho |
| 3. Bateria | 8. Anel de profundidade | 13. Parafuso |
| 4. Marca de estrela | 9. Broca | |
| 5. Gatilho | 10. Suporte magnético de brocas | |

ESPECIFICAÇÕES

Modelo		DFS441	DFS451
Capacidades	Parafuso para paredes de estuque	4 mm	4 mm
Velocidade de rotação sem carga (min. ⁻¹)		0 - 4.000	0 - 4.000
Comprimento total	Com anel de profundidade curto	281 mm	281 mm
	Com anel de profundidade longo	296 mm	296 mm
Peso líquido		1,4 kg	1,5 kg
Tensão nominal		C.C. 14,4 V	C.C. 18 V

- Devido à pesquisa e desenvolvimento constantes, estas especificações estão sujeitas a alteração sem aviso prévio.
- As especificações e o cartucho da bateria podem ser diferentes consoante o país.
- Peso, com a bateria, de acordo com o procedimento EPTA de 01/2003

Utilização prevista

ENE033-1

A ferramenta destina-se a aparafusar em madeira, metal e plástico.

Avisos gerais de segurança para ferramentas eléctricas

GEA010-1

⚠ AVISO Leia todos os avisos de segurança e todas as instruções. O não cumprimento dos avisos e instruções pode resultar na ocorrência de choques eléctricos, incêndios e/ou ferimentos graves.

Guarde todos os avisos e instruções para referência futura.

AVISOS DE SEGURANÇA DA PARAFUSADEIRA A BATERIA

GEB050-2

1. **Segure na ferramenta eléctrica pelas superfícies de aderência isoladas quando efectuar uma operação em que possa entrar em contacto com cablagens não visíveis.** Se a aparafusadora entrar em contacto com um cabo sob tensão, as partes metálicas expostas da ferramenta eléctrica podem ficar igualmente sob tensão, podendo provocar um choque eléctrico no operador.
2. **Procure uma posição em pé estável e firme.** Se utilizar a ferramenta em locais altos, verifique se não há ninguém por baixo.
3. **Segure bem na ferramenta.**
4. **Afaste as mãos das peças em movimento.**
5. **Não toque numa broca ou no material em que tiver estado a trabalhar logo após a operação** porque podem estar demasiado quentes.



AVISO:

NÃO deixe que o conforto ou familiaridade com o produto (obtida de uma utilização regular) substitua um cumprimento severo das regras de segurança do produto em causa. Uma UTILIZAÇÃO INCORRECTA ou não cumprimento das regras de segurança indicadas neste manual de instruções podem provocar ferimentos pessoais sérios.

INSTRUÇÕES DE SEGURANÇA IMPORTANTES

ENC007-7

RELATIVAS À BATERIA

1. **Antes de utilizar a bateria, leia as instruções e chamadas de atenção de: (1) o carregador da bateria, (2) a bateria e (3) o produto que utiliza a bateria.**
2. **Não desmonte a bateria.**
3. **Se o tempo de utilização com a bateria se tornar demasiado curto, deve parar imediatamente. Se continuar, pode causar sobreaquecimento, incêndio e mesmo explosão.**
4. **Se o electrólito entrar em contacto com os olhos, enxágue-os com água limpa e consulte imediatamente um médico. Os riscos incluem perda de visão.**
5. **Não provoque um curto-circuito na bateria:**
 - (1) **Não deixe que quaisquer materiais condutores entrem em contacto com os terminais da bateria.**
 - (2) **Evite guardar a bateria juntamente com outros objectos de metal como moedas, por exemplo.**
 - (3) **Não exponha a bateria a água ou chuva.**

GUARDE ESTAS INSTRUÇÕES.

Um curto-circuito na bateria pode criar uma grande carga eléctrica, sobreaquecimento, fogo e uma quebra da corrente.

6. Não guarde a ferramenta e a bateria em locais onde a temperatura possa atingir ou exceder 50°C (122°F).
7. Não incinere a bateria, nem mesmo se esta estiver irremediavelmente danificada ou completamente gasta. Pode explodir e causar um incêndio.
8. Não a deixe cair e evite o choque com outros objectos.
9. Não utilize uma bateria danificada.

GUARDE ESTAS INSTRUÇÕES.

Sugestões para o máximo de tempo de vida da bateria

1. Não espere que a bateria se gaste completamente para voltar a carregá-la. Pare a ferramenta e carregue a bateria sempre que detectar um baixo nível de energia.
2. Nunca volte a carregar uma bateria já completamente carregada. O carregamento excessivo diminui o tempo de vida das baterias.
3. Carregue a bateria em locais onde a temperatura se situe entre 10°C e 40°C (50°F - 104°F). Se a bateria estiver quente, deixe-a arrefecer antes de iniciar o carregamento.
4. Carregue a bateria uma vez a cada seis meses se não a utilizar durante um longo período.

DESCRIÇÃO DO FUNCIONAMENTO

⚠️ PRECAUÇÃO:

- Certifique-se sempre de que a ferramenta está desligada e que a bateria foi removida antes de proceder a ajustes ou testar acessórios.

Inserir ou retirar a bateria (Fig. 1)

- Desligue sempre a ferramenta antes de instalar ou retirar a bateria.
- Para retirar a bateria, mantenha premido o botão na frente da bateria e puxe.
- Para colocar a bateria, alinhe a respectiva saliência com a calha do compartimento e encaixe-a suavemente. Insira-a completamente até fixar em posição com um clique. Se ainda estiver visível o indicador vermelho na parte superior do botão, não estará bem encaixado. Coloque-a completamente, até deixar de ver o indicador vermelho. Caso contrário, pode cair da ferramenta e causar ferimentos em si, ou em alguém que esteja perto de si.
- Não exerça força ao colocar a bateria. Se não encaixar facilmente é porque não está correctamente posicionada.

Sistema de protecção da bateria (bateria com uma marca de estrela) (Fig. 2)

A bateria com uma marca de estrela está equipada com um sistema de protecção, que desliga automaticamente a alimentação, aumentando a vida útil.

A ferramenta pára durante o funcionamento quando a ferramenta e/ou bateria são colocados sob as situações seguintes. Tal é causado pela activação do sistema de protecção e não constitui uma avaria da ferramenta.

- Quando a ferramenta estiver sobrecarregada:
 - Solte o gatilho, retire a bateria e elimine a origem da sobrecarga e puxe novamente o gatilho para reiniciar.
- Quando as células da bateria aquecem:
 - Se o gatilho for accionado, o motor permanece parado. Nesta altura, pare a utilização da ferramenta e arrefeça ou carregue a bateria depois de a retirar da ferramenta.
- Quando a capacidade restante da bateria ficar fraca:
 - Se o gatilho for accionado, o motor permanece parado. Nesta altura, retire a bateria da ferramenta e carregue-a.

O gatilho/interruptor (Fig. 3)

⚠️ PRECAUÇÃO:

- Antes de inserir a pilha na ferramenta, verifique se o gatilho está a funcionar correctamente e se regressa à posição "OFF" quando o solta.

Para pôr a ferramenta a funcionar, prima o gatilho. A velocidade da ferramenta aumenta com a pressão exercida no gatilho. Para parar a ferramenta, solte o gatilho.

NOTA:

- Mesmo com o interruptor ligado e o motor a funcionar, a broca não rodará até que encaixe a ponta da broca na cabeça do parafuso e aplique pressão dianteira para engatar a embraiagem.

A luz incorporada na ferramenta (Fig. 4)

⚠️ PRECAUÇÃO:

- Não olhe directamente para a luz da ferramenta. Para a acender prima o gatilho. A lâmpada manter-se-á acesa enquanto o gatilho for premido. 10 - 15 segundos depois de o gatilho ser solto, a luz apaga-se.

NOTA:

- Para limpar a lâmpada, utilize um tecido seco. Tenha cuidado para não riscar a lente da lâmpada, pois poderia diminuir a intensidade da iluminação.

Inverter a direcção da rotação (Fig. 5)

Esta ferramenta tem um interruptor que permite inverter a direcção da rotação. Rode o interruptor a partir da posição A no sentido dos ponteiros do relógio, ou a partir da posição B no sentido contrário ao dos ponteiros do relógio.

Se o interruptor estiver na posição neutra, o gatilho não poderá ser premido.

⚠️ PRECAUÇÃO:

- Verifique sempre a direcção da rotação antes da operação.

- Este interruptor deve ser utilizado apenas quando a ferramenta estiver completamente parada. Se alterar a direcção da rotação antes da ferramenta ter parado pode avariá-la.

Quando a ferramenta não estiver a funcionar coloque o interruptor na posição neutra.

Ajuste da profundidade (Fig. 6)

A profundidade pode ser ajustada rodando o respectivo anel. Rode-o na direcção "B" para menos profundidade e na direcção "A" para mais profundidade. Uma rotação total do anel de profundidade é igual a uma alteração de 2 mm em profundidade. (Fig. 7)

Ajuste o anel de profundidade de forma a que a distância entre a ponta do anel de profundidade e a cabeça do parafuso seja aproximadamente 3 mm, tal como ilustrado. Introduza um parafuso de teste no material ou numa peça de material duplicado. Se a profundidade ainda não for adequada para o parafuso, continue a ajustar até obter a profundidade correcta.

MONTAGEM

⚠️ PRECAUÇÃO:

- Certifique-se sempre de que a ferramenta está desligada e a bateria removida, antes de efectuar qualquer operação na ferramenta.

Instalar ou retirar a broca (Fig. 8)

Para remover a broca, puxe o anel de profundidade. De seguida, agarre na broca com um alicate e puxe a broca para fora do suporte magnético de brocas. Por vezes, ajuda a abanar a broca com o alicate à medida que puxa. (Fig. 9)

Para montar a broca, empurre-a com firmeza no suporte magnético de brocas. De seguida, monte o anel de profundidade, empurrando-o com firmeza.

Gancho (Fig. 10)

O gancho é muito útil para pendurar a ferramenta quando necessário. Pode ser instalado de qualquer dos lados. Para instalar o gancho, insira-o numa das ranhuras do corpo da ferramenta, em qualquer dos lados e, em seguida, fixe-o com um parafuso. Para o remover, basta desapertar o parafuso.

FUNCIONAMENTO

Função de aparafusamento (Fig. 11)

Coloque o parafuso na ponta da broca e coloque a ponta do parafuso na superfície da peça de trabalho a apertar. Aplique pressão na ferramenta e inicie-a. Retire a ferramenta logo que a embraiagem seja activada. De seguida, solte o gatilho.

⚠️ PRECAUÇÃO:

- Quando colocar o parafuso na ponta da broca, tenha cuidado para não pressionar o parafuso. Se o parafuso for pressionado, a embraiagem será accionada e o parafuso rodará repentinamente. Isto poderia danificar uma peça de trabalho ou provocar um ferimento.
- Certifique-se de que a broca está bem colocada na cabeça do parafuso, para não danificar o parafuso ou broca.

MANUTENÇÃO

⚠️ PRECAUÇÃO:

- Certifique-se sempre de que a ferramenta está desligada e a bateria removida antes de efectuar operações de inspecção ou de manutenção.
- Nunca utilize gasolina, benzina, diluente, álcool ou semelhante. Podem formar-se descolorações, deformações ou fissuras.

Para manter os níveis de SEGURANÇA e FIABILIDADE, as reparações, inspecção e substituição das escovas de carvão e outras operações de manutenção ou ajuste devem ser executadas por centros de assistência Makita autorizados e, no caso de substituição de peças, estas devem ser igualmente peças originais Makita.

ACESSÓRIOS OPCIONAIS

⚠️ PRECAUÇÃO:

- Os seguintes acessórios ou extensões são os recomendados para utilizar com a ferramenta Makita especificada neste manual. A utilização de quaisquer outros acessórios poderá representar um risco de ferimento para as pessoas. Apenas utilize o acessório para o fim indicado.

Se precisar de informações adicionais relativas aos acessórios, contacte o centro local de assistência Makita.

- Brocas Phillips
- Suporte magnético de brocas
- Vários tipos de baterias e carregadores Makita genuínos.
- Saco de transporte de plástico

NOTA:

- Alguns itens na lista podem estar incluídos no pacote de ferramentas como acessórios de série. Podem diferir de país para país.

Ruído

ENG905-1

Os níveis acústicos ponderados A típicos foram determinados segundo a EN60745:

Modelo DFS441

Nível de pressão sonora (L_{pA}): 70 dB (A) ou menos
Incerteza (K): 3 dB (A)

O nível de ruído quando em funcionamento pode exceder os 80 dB (A).

Modelo DFS451

Nível de pressão sonora (L_{pA}): 71 dB (A)
Incerteza (K): 3 dB (A)

O nível de ruído quando em funcionamento pode exceder os 80 dB (A).

Use protecção para os ouvidos.

Vibração

ENG900-1

O valor total da vibração (soma triaxial de vectores) foi determinado segundo a EN60745:

Modo de trabalho: aparafusamento sem percussão
Emissão de vibração (a_{h1}): 2,5 m/s² ou menos
Incerteza (K): 1,5 m/s²

ENG901-1

- O valor da emissão de vibração declarado foi medido de acordo com o método de teste padrão e pode ser utilizado para comparar uma ferramenta com outra.

- O valor da emissão de vibração declarado pode também ser utilizado numa avaliação preliminar de exposição.

⚠ AVISO:

- A emissão de vibração durante a utilização real da ferramenta eléctrica pode ser diferente do valor de emissão declarado, dependendo da forma como a ferramenta é utilizada.
- Certifique-se de que identifica medidas de segurança, para proteger o operador, que são baseadas numa estimativa de exposição nas condições reais de utilização (tendo em conta todas as partes do ciclo de funcionamento, como as vezes que a ferramenta é desligada e quando está a trabalhar ao ralenti, além do tempo de utilização).

Apenas para os países europeus ENH101-15

Declaração de conformidade CE

A Makita Corporation, na qualidade do fabricante responsável, declara que a(s) máquina(s) Makita seguinte(s):

Designação da máquina:

Parafusadeira a Bateria

N.º de modelo/Tipo: DFS441, DFS451

são produzidas em série e

estão em conformidade com as Directivas Europeias

seguintes:

2006/42/EC

E são fabricadas de acordo com as normas ou os documentos padronizados seguintes:

EN60745

A documentação técnica é mantida pelo nosso representante autorizado na Europa, que é:

Makita International Europe Ltd.

Michigan Drive, Tongwell,

Milton Keynes, Bucks MK15 8JD, Inglaterra

14. 9. 2010



Tomoyasu Kato

Director

Makita Corporation

3-11-8, Sumiyoshi-cho,

Anjo, Aichi, 446-8502, JAPAN

DANSK (Originalvejledning)

Forklaring til generel oversigt

- | | | |
|--------------------|-------------------------|-----------|
| 1. Rød indikator | 6. Lampe | 11. Rille |
| 2. Knap | 7. Omløbsvælger | 12. Krog |
| 3. Batteripakke | 8. Skrueforsats | 13. Skrue |
| 4. Stjernemærke | 9. Bit | |
| 5. Afbryderkontakt | 10. Magnetisk bitholder | |

SPECIFIKATIONER

Model		DFS441	DFS451
Kapaciteter	Gipsskrue	4 mm	4 mm
Hastighed uden belastning (min ⁻¹)		0 - 4.000	0 - 4.000
Længde i alt	Med kort skrueforsats	281 mm	281 mm
	Med lang skrueforsats	296 mm	296 mm
Nettovægt		1,4 kg	1,5 kg
Nominel spænding		14,4 V jævnstrøm	18 V jævnstrøm

- På grund af vores løbende forsknings- og udviklingsprogram kan specifikationerne heri ændres uden forudgående varsel.
- Specifikationerne og batteripakken kan variere fra land til land.
- Vægt, inklusive batteripakken, i henhold til EPTA-Procedure 01/2003

Tilsigtet brug

ENE033-1

Maskinen er beregnet til skruning i træ, metal og plastik.

Generelle sikkerhedsadvarsler for maskiner

GEA010-1

⚠ ADVARSEL Læs alle sikkerhedsadvarsler og alle instruktioner. Hvis De ikke følger alle advarsler og instruktioner, kan det medføre elektrisk stød, brand og/eller alvorlig personskade.

Gem alle advarsler og instruktioner til senere reference.

SIKKERHEDSADVARSLER FOR AKKU-SKRUEMASKINE

GEB050-2

1. Hold maskiner i de isolerede gribeplader, når du udfører arbejde, hvor befæstelseselementet kan komme i kontakt med skjulte ledninger. Hvis befæstelseselementer kommer i kontakt med en strømførende ledning, kan udsatte metaldele på maskinen blive strømførende, hvorved operatøren muligvis kan få elektrisk stød.
2. Sørg altid for at have et solidt fodfæste. Sørg for, at der ikke er nogen under Dem, når De benytter værktøjet på højtliggende steder.
3. Hold godt fast i værktøjet.
4. Hold hænderne på afstand af roterende dele.
5. Berør ikke bittene eller arbejdsmønstret umiddelbart efter brugen. De kan være meget varme og kan forårsage forbrændinger af huden.

GEM DISSE INSTRUKTIONER.

⚠ ADVARSEL:

LAD IKKE tryghed eller kendskab til produktet (fra gentagen brug) føre til, at du ikke strengt overholder sikkerhedsreglerne for det gældende produkt. MISBRUG eller manglende overholdelse af sikkerhedsreglerne i denne brugsanvisning kan medføre alvorlig personskade.

VIGTIGE SIKKERHEDSINSTRUKTIONER

ENC007-7

FOR BATTERIPAKKEN

1. Før brugen af batteripakken skal du læse alle instruktioner og advarsler på (1) batteriopladeren, (2) batteriet og (3) det produkt, som batteriet anvendes i.
2. Skil ikke batteripakken ad.
3. Hvis driftstiden bliver betydeligt kortere, skal du straks ophøre med brugen. Brug kan medføre risiko for overophedning, risiko for forbrændinger eller endog eksplosion.
4. Hvis du får elektrolyt i øjnene, skal du med det samme rense øjnene med rent vand og søge læge. Dette kan medføre tab af synet.
5. Kortslut ikke batteripakken:
 - (1) Undgå at røre ved terminalerne med ledende materiale.
 - (2) Undgå at opbevare batteripakken i en beholder med andre metalgenstande som f.eks. søm, mønter osv.
 - (3) Udsæt ikke batteripakken for vand eller regn. Hvis batteriet kortsluttes, kan det medføre voldsom strøm, overophedning, mulige forbrændinger og endog nedbrud.

- Undgå at opbevare værktøjet og batteripakken på steder, hvor temperaturen kan komme op på eller overstige 50°C.
- Sæt ikke ild til batteripakken, selvom den er alvorligt beskadiget eller helt udtjent. Batteripakken kan eksplodere ved brand.
- Undgå at tabe eller slå på batteriet.
- Undlad brug af et beskadiget batteri.

GEM DISSE INSTRUKTIONER.

Tips til, hvordan du forlænger batteriets levetid

- Oplad batteripakken, før den bliver helt afladet. Ophør med at bruge værktøjet, og udskift batteripakken, hvis strømmen til værktøjet aftager.
- Oplad aldrig en fuldt opladet batteripakke. Overopladning forkorter batteriets levetid.
- Oplad batteripakken ved stuetemperatur på 10°C - 40°C. Lad batteripakken køle ned før den oplades, hvis den er varm.
- Oplad batteripakken en gang hver sjette måned, hvis du ikke bruger det i lang tid.

FUNKTIONSBESKRIVELSE

⚠ FORSIGTIG:

- Sørg altid for, at maskinen er slukket, og at batteripakken er taget ud, før du justerer maskinen eller kontrollerer dens funktion.

Montering eller afmontering af batteripakken (Fig. 1)

- Sluk altid for maskinen inden montering eller afmontering af batteripakken.
- Afmonter batteripakken ved at holde ned på knappen foran på batteripakken og skubbe den af maskinen.
- Ved montering af batteripakken justeres tungen på batteripakken med rillen i huset, hvorefter pakken skubbes på plads. Sæt den altid hele vejen ind, indtil den låses på plads med et lille klik. Hvis den røde indikator øverst på knappen er synlig, er batteripakken ikke låst helt fast. Sæt den helt ind, indtil den røde indikator ikke er synlig. Ellers kan den falde ud af maskinen og skade dig eller andre personer i nærheden.
- Brug ikke magt ved montering af batteripakken. Hvis den ikke glider let ind, er den ikke indsat korrekt.

Batteribeskyttelsessystem (batteripakke med et stjernemærke) (Fig. 2)

Batteripakken med et stjernemærke er udstyret med et beskyttelsessystem, der automatisk slår strømmen fra for at forlænge levetiden.

Maskinen stopper under anvendelsen, når maskinen og/eller batteripakken udsættes for følgende situation. Dette skyldes aktiveringen af beskyttelsessystemet og er ikke et tegn på fejl ved maskinen.

- Når maskinen er overbelastet:
I dette tilfælde skal du slippe afbryderkontakten, afmontere batteriet og fjerne årsagen til

overbelastningen og derefter trykke ind på afbryderkontakten igen for at genstarte.

- Når battericeller bliver varme:
Motoren forbliver stoppet, selvom afbryderkontakten betjenes. I dette tilfælde skal du stoppe brugen af maskinen og afkøle eller oplade batteripakken, efter den er fjernet fra maskinen.
- Når den resterende batterikapacitet bliver lav:
Motoren forbliver stoppet, selvom afbryderkontakten betjenes. I dette tilfælde skal du fjerne batteripakken fra maskinen og oplade den.

Betjening af afbryderkontakt (Fig. 3)

⚠ FORSIGTIG:

- Før batteripakken sættes i maskinen, skal du altid kontrollere, at afbryderkontakten reagerer korrekt og vender tilbage i "OFF"-stillingen, når du slipper det.

For at starte maskinen skal du blot trykke på afbryderkontakten. Maskinens hastighed forøges ved at trykke hårdere på afbryderkontakten. Slip afbryderkontakten for at stoppe.

BEMÆRK:

- Selv når afbryderkontakten er tændt, og motoren kører, roterer bitten ikke, før du sætter spidsen af bitten ind i skrukehovedet og presser fremad for at aktivere koblingen.

Tænding af lampen (Fig. 4)

⚠ FORSIGTIG:

- Se ikke direkte ind i lyset eller lyskilden. Træk i afbryderkontakten for at tænde lampen. Lampen forbliver tændt, så længe der trækkes i afbryderkontakten. Lampen slukkes 10 - 15 sekunder efter, at kontakten slippes.

BEMÆRK:

- Benyt en tør klud til at tørre snavs af lampens linse. Pas på ikke at ridse lampens linse, da det kan mindske lysstyrken.

Betjening af omløbsvælger (Fig. 5)

Maskinen har en omløbsvælger til ændring af omløbsretningen. Tryk omløbsvælgeren mod A-siden for rotation med uret eller mod B-siden for rotation mod uret. Når omløbsvælgeren er i neutral stilling, kan afbryderkontakten ikke trækkes ind.

⚠ FORSIGTIG:

- Kontroller altid rotationsretningen før anvendelsen.
- Betjen ikke skiftekontakten, før maskinen er helt stoppet. Hvis omløbsretningen ændres, inden maskinen er helt stoppet, kan det beskadige maskinen. Sæt altid skiftekontakthåndtaget i neutral stilling, når maskinen ikke anvendes.

Dybdejustering (Fig. 6)

Dybden kan justeres ved at dreje på skruforsatsen. Drej den i retning mod "B" for mindre dybde og i retning mod "A" for større dybde. En hel omdrejning af skruforsatsen svarer til en ændring på 2 mm i dybden. (Fig. 7) Juster skruforsatsen sådan at afstanden mellem spidsen på skruforsatsen og skrukehovedet er cirka 3 mm som vist på figureerne. Prøv at skrue en skrue i materialet eller i

et stykke tilsvarende materiale. Hvis dybden stadig ikke passer til skruen, skal du fortsætte med at justere, indtil du opnår den rigtige dybdeindstilling.

MONTERING

FORSIGTIG:

- Sørg altid for, at maskinen er slukket, og at batteripakken er taget ud, før du udfører nogen form for arbejde på maskinen.

Montering eller afmontering af bitten (Fig. 8)

Træk i skrueforsatsen for at afmontere bitten. Tag derefter fat i bitten med en tang og træk bitten ud af den magnetiske bitholder. Nogle gange hjælper det at vrikke i bitten med tangen, når du trækker i den. (Fig. 9) Monter bitten ved at trykke den helt ind i den magnetiske bitholder. Monter derefter skrueforsatsen ved at skubbe den helt tilbage.

Krog (Fig. 10)

Kroge er nyttige til midlertidig ophængning af maskinen. Den kan monteres på begge sider af maskinen. For at montere kroge indsættes den i en rille i maskinen på en af siderne, hvorefter den fastgøres med en skrue. Den afmonteres ved at løsne skruen og tage den ud.

BETJENING

Betjening som skruestrækker (Fig. 11)

Placer skruen på spidsen af bitten og placer derefter skruespidsen på overfladen af det arbejdsemne, der skal fastgøres. Tryk på maskinen og start den. Træk tilbage i maskinen så snart koblingen sætter ind. Slip derefter afbryderkontakten.

FORSIGTIG:

- Pas på ikke at trykke ind på skruen, når du placerer skruen på bitspidsen. Hvis der trykkes ind på skruen, aktiveres koblingen, og skruen begynder pludselig at dreje rundt. Dette kan beskadige arbejdsemnet eller medføre personskade.
- Sørg for, at bitten sættes lige ned i skruehovedet, ellers kan skruen og/eller bitten blive beskadiget.

VEDLIGEHOLDELSE

FORSIGTIG:

- Sørg altid for, at maskinen er slukket, og at batteripakken er taget ud, før du forsøger at udføre inspektion eller vedligeholdelse.
- Brug aldrig benzin, benzen, fortynder, alkohol eller lignende. Det kan muligvis medføre misfarvning, deformation eller revner.

For at holde produktet SIKKERT og PÅLIDELIGT skal reparationer, kontrol og udskiftning af kulbørsterne samt al anden vedligeholdelse eller justering udføres af autoriserede Makita-servicecentre, der altid benytter Makita-reservedele.

EKSTRAUDSTYR

FORSIGTIG:

- Dette tilbehør eller ekstraudstyr anbefales til brug med det Makita-værktøj, som er beskrevet i denne brugsanvisning. Brug af andet tilbehør eller ekstraudstyr kan forårsage personskade. Brug kun tilbehør eller ekstraudstyr til det formål, det er beregnet til.

Henvend dig til dit lokale Makita-servicecenter, hvis du har brug for hjælp eller yderligere oplysninger vedrørende tilbehøret.

- Phillips-bits
- Magnetisk bitholder
- Forskellige typer af originale batterier og opladere fra Makita
- Plastikbæretaske

BEMÆRK:

- Visse dele på listen er muligvis indeholdt maskinindpakningen som standardtilbehør. De kan variere fra land til land.

Støj

ENG905-1

Det typiske A-vægtede støjniveau bestemt i overensstemmelse med EN60745:

Model DFS441

Lydtrykniveau (L_{pA}): 70 dB (A) eller mindre
Usikkerhed (K): 3 dB (A)

Støjniveauet under arbejdet kan overstige 80 dB (A).

Model DFS451

Lydtrykniveau (L_{pA}): 71 dB (A)
Usikkerhed (K): 3 dB (A)

Støjniveauet under arbejdet kan overstige 80 dB (A).

Bær høreværn.

Vibration

ENG900-1

Den samlede vibrationsværdi (treaksial vektorsum) bestemt i overensstemmelse med EN60745:

Arbejdstilstand: skruining uden slag
Vibrationsemission (a_{h1}): 2,5 m/s² eller mindre
Usikkerhed (K): 1,5 m/s²

ENG901-1

- Den opgivne vibrationsemissionsværdi er målt i overensstemmelse med standardtestmetoden og kan bruges til at sammenligne et værktøj med et andet.
- Den opgivne vibrationsemissionsværdi kan muligvis også bruges til en indledende eksponeringsvurdering.

ADVARSEL:

- Vibrationsemissionen under den faktiske brug af maskinen kan afvige fra den opgivne emissionsværdi afhængigt af den måde, maskinen anvendes på.
- Sørg for at bestemme sikkerhedsforanstaltninger for beskyttelse af operatøren, som er baseret på en eksponeringsvurdering for brug under faktiske forhold (hvor alle anvendelsescyklussens dele inddrages, som f.eks. antal gange maskinen slukkes, og når den kører i tomgang ud over triggertiden).

Kun for europæiske lande

ENH101-15

EF-overensstemmelseserklæring

Vi, Makita Corporation, erklærer som ansvarlig producent at følgende Makita-maskine(r):

Maskinens betegnelse:

Akku-skruemaskine

Modelnummer/ type: DFS441, DFS451

er en produktionsserie og

Overholder følgende europæiske direktiver:

2006/42/EF

Og er produceret i overensstemmelse med følgende standarder eller standardiserede dokumenter:

EN60745

Den tekniske dokumentation findes hos vores autoriserede repræsentant i Europa:

Makita International Europe Ltd.

Michigan Drive, Tongwell,

Milton Keynes, Bucks MK15 8JD, England

14. 9. 2010



Tomoyasu Kato

Direktør

Makita Corporation

3-11-8, Sumiyoshi-cho,

Anjo, Aichi, 446-8502, JAPAN

ΕΛΛΗΝΙΚΑ (Πρωτογενείς οδηγίες)

Περιγραφή γενικής όψης

- | | | |
|-----------------------|--------------------------------|-------------|
| 1. Κόκκινη ένδειξη | 6. Λάμπα | 11. Εγκοπτή |
| 2. Κουμπί | 7. Μοχλός διακόπτη αντιστροφής | 12. Γάντζος |
| 3. Κασέτα μπαταρίας | 8. Εντοπιστής | 13. Βίδα |
| 4. Ένδειξη άστρου | 9. Αιχμή | |
| 5. Σκανδάλη-διακόπτης | 10. Μαγνητικό στήριγμα μύτης | |

ΠΡΟΔΙΑΓΡΑΦΕΣ

Μοντέλο		DFS441	DFS451
Δυνατότητες	Τσιμεντόβιδα	4 mm	4 mm
Ταχύτητα χωρίς φορτίο (min ⁻¹)		0 - 4.000	0 - 4.000
Ολικό μήκος	Με κοντό εντοπιστή	281 mm	281 mm
	Με μακρύ εντοπιστή	296 mm	296 mm
Καθαρό βάρος		1,4 kg	1,5 kg
Ονομαστική τιμή τάσης		D.C. 14,4 V	D.C. 18 V

- Λόγω του συνεχόμενου προγράμματος που εφαρμόζουμε για έρευνα και ανάπτυξη, τα τεχνικά χαρακτηριστικά στο παρόν έντυπο υπόκεινται σε αλλαγή χωρίς προειδοποίηση.
- Τα τεχνικά χαρακτηριστικά και η μπαταρία ενδέχεται να διαφέρουν από χώρα σε χώρα.
- Βάρος μαζί με την μπαταρία σύμφωνα με τη διαδικασία της ΕΡΤΑ 01/2003

Προοριζόμενη χρήση

ENE033-1

Το εργαλείο προορίζεται για βίδωμα σε ξύλο, μέταλλο και πλαστικό.

Γενικές Προειδοποιήσεις Ασφαλείας Του Ηλεκτρικού Εργαλείου

GEA010-1

⚠ ΠΡΟΕΙΔΟΠΟΙΗΣΗ Διαβάστε όλες τις προειδοποιήσεις ασφαλείας και όλες τις οδηγίες. Αν δεν ακολουθήσετε όλες τις προειδοποιήσεις και τις οδηγίες, υπάρχει κίνδυνος ηλεκτροπληξίας, πυρκαγιάς ή/και σοβαρού τραυματισμού.

Φυλάξτε όλες τις προειδοποιήσεις και τις οδηγίες για μελλοντική αναφορά.

ΠΡΟΕΙΔΟΠΟΙΗΣΕΙΣ ΑΣΦΑΛΕΙΑΣ ΓΙΑ ΤΟ ΚΑΤΣΑΒΙΔΙ ΜΠΑΤΑΡΙΑΣ

GEB050-2

1. Να κρατάτε το ηλεκτρικό εργαλείο από τις μονωμένες λαβές όταν εκτελείτε εργασίες κατά τις οποίες ο σφινκτήρας μπορεί να έρθει σε επαφή με κρυμμένα καλώδια. Αν οι σφινκτήρες έρθουν σε επαφή με κάποιο ηλεκτροφόρο καλώδιο, τα εκτεθειμένα μεταλλικά μέρη του ηλεκτρικού εργαλείου θα γίνουν κι αυτά ηλεκτροφόρα και μπορεί να προκληθεί ηλεκτροπληξία στο χειριστή.
2. Να βεβαιώνετε πάντοτε ότι στέκεστε σταθερά. Όταν χρησιμοποιείτε το εργαλείο σε υψηλές τοποθεσίες, να βεβαιώνετε ότι δεν βρίσκεται κανένας από κάτω.
3. Να κρατάτε το εργαλείο σταθερά.
4. Μην πλησιάζετε τα χέρια σας σε περιστρεφόμενα μέρη.

5. Μην αγγίζετε τη μύτη ή το τεμάχιο εργασίας αμέσως μετά τη λειτουργία του εργαλείου. Μπορεί να είναι εξαιρετικά θερμά και να προκληθεί έγκαυμα στο δέρμα σας.

ΦΥΛΑΞΤΕ ΑΥΤΕΣ ΤΙΣ ΟΔΗΓΙΕΣ.

⚠ ΠΡΟΕΙΔΟΠΟΙΗΣΗ:

ΜΗΝ επιτρέψετε στη βολικότητα ή στην εξοικειώσή σας με το προϊόν (που αποκτήθηκε από επανειλημμένη χρήση) να αντικαταστήσει την αυστηρή προσήλωση στους κανόνες ασφαλείας του εν λόγω προϊόντος. Η ΑΝΑΘΑΣΜΕΝΗ ΧΡΗΣΗ ή η μη τήρηση των κανόνων ασφαλείας που διατυπώνονται στο παρόν εγχειρίδιο οδηγιών μπορεί να προκαλέσει σοβαρό τραυματισμό.

ΣΗΜΑΝΤΙΚΕΣ ΟΔΗΓΙΕΣ ΑΣΦΑΛΕΙΑΣ

ENC007-7

ΓΙΑ ΤΗΝ ΜΠΑΤΑΡΙΑ

1. Πριν χρησιμοποιήσετε την μπαταρία, διαβάστε όλες τις οδηγίες και τις ενδείξεις προφύλαξης στο (1) φορτιστή μπαταρίας, (2) την μπαταρία και (3) το προϊόν στο οποίο χρησιμοποιείται η μπαταρία.
2. Μην αποσυναρμολογείτε την μπαταρία.
3. Αν ο χρόνος λειτουργίας της μπαταρίας είναι υπερβολικά σύντομος, διακόψτε αμέσως τη λειτουργία. Αν συνεχίσετε, μπορεί να έχει ως αποτέλεσμα τον κίνδυνο υπερθέρμανσης, πιθανών εγκαυμάτων και ακόμη έκρηξης.
4. Αν μπει στα μάτια σας ηλεκτρολύτης, ξεπλύνετε με καθαρό νερό και αναζητήστε αμέσως ιατρική βοήθεια. Μπορεί να χάσετε την όρασή σας.
5. Μη βραχυκυκλώνετε την μπαταρία:

- (1) Μην αγγίζετε τους ακροδέκτες με αγώγιμο υλικό.
 - (2) Μην αποθηκεύετε την μπαταρία σε δοχείο με άλλα μεταλλικά αντικείμενα, όπως καρφιά, νομίσματα, κτλ.
 - (3) Μην εκθέτετε την μπαταρία σε νερό ή βροχή. Αν βραχυκυκλωθεί η μπαταρία, μπορεί να προκληθεί μεγάλη ροή ηλεκτρικού ρεύματος, υπερθέρμανση, πιθανά εγκαύματα και ακόμη και καταστροφή της μπαταρίας.
6. Μην αποθηκεύετε το εργαλείο και την μπαταρία σε μέρη όπου η θερμοκρασία μπορεί να φτάσει ή να ξεπεράσει τους 50°C (122°F).
 7. Μην αποθερμώνετε την μπαταρία ακόμη κι αν παρουσιάζει σοβαρή ζημιά ή είναι εντελώς φθαρμένη. Η μπαταρία μπορεί να εκραγεί σε φωτιά.
 8. Να προσέχετε να μη σας πέσει η μπαταρία και να μη συγκρουστεί με κάποιο αντικείμενο.
 9. Μη χρησιμοποιείτε μια μπαταρία που έχει υποστεί βλάβη.

ΦΥΛΑΞΤΕ ΑΥΤΕΣ ΤΙΣ ΟΔΗΓΙΕΣ.

Συμβουλές για τη διατήρηση της μέγιστης ζωής της μπαταρίας

1. Να φορτίζετε την μπαταρία πριν αποφορτιστεί εντελώς.
Πάντοτε να διακόπτετε τη λειτουργία του εργαλείου και να φορτίζετε την μπαταρία όταν παρατηρήεται μειωμένη ισχύ του εργαλείου.
2. Ποτέ μην επαναφορτίζετε μια πλήρως φορτισμένη μπαταρία.
Αν υπερφορτίσετε την μπαταρία, μειώνεται η ωφέλιμη διάρκεια ζωής της.
3. Να φορτίζετε την μπαταρία σε θερμοκρασία δωματίου, δηλαδή στους 10°C έως 40°C (50°F έως 104°F). Αν η μπαταρία είναι θερμή, αφήστε την να ψυχθεί πριν τη φορτίσετε.
4. Να φορτίζετε την κασέτα μπαταρία μια φορά κάθε έξι μήνες όταν δεν τη χρησιμοποιείτε για μεγάλο χρονικό διάστημα.

ΠΕΡΙΓΡΑΦΗ ΛΕΙΤΟΥΡΓΙΑΣ

⚠ ΠΡΟΣΟΧΗ:

- Να βεβαιώνετε πάντοτε ότι έχετε σβήσει το εργαλείο και έχετε βγάλει την κασέτα μπαταρίας πριν ρυθμίσετε ή ελέγξετε κάποια λειτουργία του εργαλείου.

Τοποθέτηση ή αφαίρεση της κασέτας μπαταρίας (Εικ. 1)

- Πάντοτε να απενεργοποιείτε το εργαλείο πριν από την τοποθέτηση ή την αφαίρεση της κασέτας μπαταρίας.
- Για να βγάλετε την κασέτα μπαταρίας, σύρετε την από το εργαλείο ολισθαίνοντας το κουμπί στο μπροστινό μέρος της κασέτας.
- Για να τοποθετήσετε την κασέτα μπαταρίας, ευθυγραμμίστε τη γλωπίδα της κασέτας μπαταρίας με την εγκοπή στο περίβλημα και ολισθήστε τη στη θέση της. Πάντοτε να την τοποθετείτε έως το τέρμα, δηλαδή έως ότου ασφαλίσει στη θέση και ακουστεί ένας χαρακτηριστικός ήχος "κλικ". Αν μπορείτε να δείτε την

κόκκινη ένδειξη στην πάνω πλευρά του κουμπιού, η μπαταρία δεν είναι πλήρως ασφαλισμένη. Τοποθετήστε την πλήρως για να μη φαίνεται η κόκκινη ένδειξη. Σε αντίθετη περίπτωση, μπορεί να πέσει κατά λάθος από το εργαλείο και να τραυματίσει εσάς ή κάποιον παρευρισκόμενο.

- Να μη χρησιμοποιείτε δύναμη όταν τοποθετείτε την κασέτα μπαταρίας. Αν η κασέτα δεν ολισθαίνει με ευκολία, δεν την εισήγατε σωστά.

Σύστημα προστασίας μπαταρίας (Μπαταρία με την ένδειξη άστρου) (Εικ. 2)

Η μπαταρία με την ένδειξη άστρου διαθέτει ένα σύστημα προστασίας, το οποίο διακόπτει αυτόματα την παροχή ρεύματος για τη διατήρηση της μακράς διάρκειας ζωής της.

Το εργαλείο σταματά κατά τη λειτουργία όταν το εργαλείο και/ή μπαταρία υποστούν την παρακάτω συνθήκη. Αυτό προκαλείτε από την ενεργοποίηση του συστήματος προστασίας και δεν δείχνει ότι το εργαλείο έχει κάποιο πρόβλημα.

- Όταν το εργαλείο είναι υπερφορτωμένο:
Την στιγμή αυτή, ελευθερώστε τη σκανδάλη-διακόπτη, αφαιρέστε την κασέτα μπαταρίας και απομακρύνεται τις αιτίες της υπερφόρτωσης και στη συνέχεια τραβήξτε την σκανδάλη-διακόπτη ξανά για την επανεκκίνηση.
- Όταν ζεσταθεί το στοιχείο της μπαταρίας:
Εάν γίνει η οποιαδήποτε ενέργεια πάνω στη σκανδάλη-διακόπτη, το μοτέρ θα παραμείνει σταματημένο. Την στιγμή αυτή, σταματήστε τη χρήση του εργαλείου και αφήστε να κρυώσει η κασέτα μπαταρίας ή αντικαταστήστε την μετά την αφαίρεσή της από το εργαλείο.
- Όταν η εναπομένουσα χωρητικότητα της μπαταρίας είναι χαμηλή:
Εάν γίνει η οποιαδήποτε ενέργεια πάνω στη σκανδάλη-διακόπτη, το μοτέρ θα παραμείνει σταματημένο. Τη στιγμή αυτή, αφαιρέστε τη μπαταρία από το εργαλείο και αλλάξτε την.

Δράση διακόπτη (Εικ. 3)

⚠ ΠΡΟΣΟΧΗ:

- Πριν την τοποθέτηση της κασέτας μπαταρίας στο εργαλείο, πάντοτε να ελέγχετε ότι η σκανδάλη-διακόπτης ενεργοποιείται κανονικά και επιστρέφει στη θέση "OFF" όταν την αφήνετε.

Για να ξεκινήσετε το εργαλείο, απλά πιέστε τη σκανδάλη-διακόπτη. Αν αυξήσετε την πίεση στη σκανδάλη-διακόπτη, αυξάνεται η ταχύτητα του εργαλείου. Για να σταματήσετε τη συσκευή, αφήστε τη σκανδάλη-διακόπτη.

ΣΗΜΕΙΩΣΗ:

- Ακόμη και αν η σκανδάλη είναι ενεργή και το μοτέρ σε λειτουργία, η μύτη δεν θα περιστραφεί έως ότου τοποθετήσετε τη μύτη πάνω στην κεφαλή της βίδας και ασκήσετε πίεση προς τα εμπρός για να εμπλακεί ο συμπλέκτης.

Αναμμα της μπροστινής λάμπας (Εικ. 4)

⚠️ ΠΡΟΣΟΧΗ:

- Μην κοιτάτε κατευθείαν μέσα στο φως ή στην πηγή φωτός.

Πιέστε τη σκανδάλη-διακόπτης για να ανάψετε τη λάμπα. Η λάμπα εξακολουθεί να είναι αναμμένη όσο πιέζετε τη σκανδάλη-διακόπτης. Η λάμπα σβήνει μέσα σε 10 - 15 δευτερόλεπτα αφού αφήσετε τη σκανδάλη.

ΣΗΜΕΙΩΣΗ:

- Χρησιμοποιήστε ένα στεγνό πανί για να σκουπίσετε τη σκόνη από το φακό της λάμπας. Προσέχετε να μη γρατσούνισετε το φακό της λάμπας, επειδή μπορεί να μειωθεί η ένταση του φωτισμού.

Δράση αναστροφικού (Εικ. 5)

Το εργαλείο αυτό διαθέτει διακόπτη αντιστροφής για να αλλάξετε την κατεύθυνση περιστροφής. Πατήστε το μοχλό του διακόπτη αντιστροφής από την πλευρά Α για δεξιόστροφη περιστροφή ή από την πλευρά Β για αριστερόστροφη περιστροφή.

Όταν ο μοχλός του διακόπτη αντιστροφής βρίσκεται στην ουδέτερη θέση, δεν μπορείτε να πατήσετε τη σκανδάλη-διακόπτης.

⚠️ ΠΡΟΣΟΧΗ:

- Πριν από τη λειτουργία, να ελέγχετε πάντοτε την κατεύθυνση περιστροφής.
- Να χρησιμοποιείτε το διακόπτη αναστροφής μόνο όταν το εργαλείο είναι εντελώς ακινητοποιημένο. Αν αλλάξετε την κατεύθυνση περιστροφής πριν ακινητοποιηθεί το εργαλείο, μπορεί να προκληθεί βλάβη στο εργαλείο.

Όταν δεν χειρίζεστε το εργαλείο, να βάζετε πάντοτε το αναστροφικό στην ουδέτερη θέση.

Ρύθμιση βάθους (Εικ. 6)

Η ρύθμιση του βάθους μπορεί να γίνει περιστρέφοντας τον εντοπιστή. Στέψτε τον προς την κατεύθυνση "B" για μικρότερο βάθος και προς την κατεύθυνση "A" για μεγαλύτερο. Μια πλήρης περιστροφή του εντοπιστή ισοδυναμεί με αλλαγή βάθους 2 mm. **(Εικ. 7)** Ρυθμίστε τον εντοπιστή έτσι ώστε η απόσταση μεταξύ της άκρης του εντοπιστή και της κεφαλής της βίδας να είναι περίπου 3 mm όπως δείχνεται στα σχεδιαγράμματα. Βιδώστε μια δοκιμαστική βίδα μέσα στο υλικό σας ή σε ένα πανομοιότυπο υλικό. Εάν ακόμη το βάθος δεν είναι κατάλληλο για τη βίδα, συνεχίστε τη ρύθμιση έως ότου να αποκτήσετε την κατάλληλη ρύθμιση για το βάθος.

ΣΥΝΑΡΜΟΛΟΓΗΣΗ

⚠️ ΠΡΟΣΟΧΗ:

- Να βεβαιώνετε πάντοτε ότι έχετε σβήσει το εργαλείο και έχετε βγάλει την κασέτα μπαταρίας πριν εκτελέσετε οποιαδήποτε εργασία σε αυτό.

Τοποθέτηση ή αφαίρεση της μύτης (Εικ. 8)

Για να αφαιρέσετε την μύτη, τραβήξτε τον εντοπιστή. Μετά πιέστε τη μύτη με μια τανάλια και τραβήξτε την έξω από το μαγνητικό στήριγμα της μύτης. Μερικές φορές θα βοηθηθείτε εάν στριφογυρίσετε τη μύτη με την τανάλια καθώς την τραβάτε. **(Εικ. 9)**

Για να τοποθετήσετε τη μύτη, σπρώξτε την γερά μέσα στο μαγνητικό στήριγμα της μύτης. Μετά τοποθετήστε τον εντοπιστή σπρώχνοντάς τον γερά πίσω.

Γάντζος (Εικ. 10)

Ο γάντζος χρησιμεύει για το προσωρινό κρέμασμα του εργαλείου. Μπορείτε να τον τοποθετήσετε σε οποιαδήποτε πλευρά του εργαλείου.

Για να τοποθετήσετε το γάντζο, βάλτε τον σε μια εγκοπή στο περίβλημα του εργαλείου σε οποιαδήποτε πλευρά του και κατόπιν ασφαλίστε τον με μια βίδα. Για να τον βγάλετε, χαλαρώστε τη βίδα και κατόπιν αφαιρέστε τον.

ΛΕΙΤΟΥΡΓΙΑ

Λειτουργία βιδώματος (Εικ. 11)

Τοποθετήστε τη βίδα στο άκρο της μύτης και τοποθετήστε το άκρο της βίδας στην επιφάνεια του τεμαχίου εργασίας που πρόκειται να στερεωθεί. Εφαρμόστε πίεση στο εργαλείο και θέστε το σε λειτουργία. Τραβήξτε το εργαλείο μόλις ολισθήσει ο συμπλέκτης. Μετά αφήστε τη σκανδάλη-διακόπτης.

⚠️ ΠΡΟΣΟΧΗ:

- Κατά την τοποθέτηση της βίδας στην άκρη της μύτης, προσέξτε να μην την σπρώξετε μέσα στη βίδα. Εάν σπρωχθεί μέσα η βίδα, θα εμπλακεί ο συμπλέκτης και η βίδα θα αρχίζει ξαφνικά να περιστρέφεται. Αυτό μπορεί να προκαλέσει ζημιά στο τεμάχιο εργασίας ή τραυματισμό.
- Βεβαιωθείτε ότι τοποθετήσατε τη μύτη σε ευθεία μέσα στην κεφαλή της βίδας, διαφορετικά μπορεί να προκληθεί βλάβη στη βίδα ή/και στη μύτη.

ΣΥΝΤΗΡΗΣΗ

⚠️ ΠΡΟΣΟΧΗ:

- Να βεβαιώνετε πάντοτε ότι έχετε σβήσει το εργαλείο και έχετε βγάλει την μπαταρία πριν εκτελέσετε οποιαδήποτε εργασία ελέγχου ή συντήρησης σε αυτό.
- Μην χρησιμοποιήσετε βενζίνη, βενζόλη, διαλυτικό, αλκοόλη ή κάτι παρόμοιο. Μπορεί να προκληθεί αποχρωματισμός, παραμόρφωση ή ρωγμές.

Για να διατηρείται η ΑΣΦΑΛΕΙΑ και η ΑΞΙΟΠΙΣΤΙΑ του προϊόντος, οι εργασίες επισκευής, ο έλεγχος και η αλλαγή των καρβονακίων, καθώς και οποιαδήποτε άλλη εργασία συντήρησης και ρύθμισης, θα πρέπει να εκτελούνται σε εξουσιοδοτημένα κέντρα εξυπηρέτησης της Makita, και πάντοτε με τη χρήση ανταλλακτικών της Makita.

ΠΡΟΑΙΡΕΤΙΚΑ ΑΞΕΣΟΥΑΡ

⚠️ ΠΡΟΣΟΧΗ:

- Συνιστάται η χρήση αυτών των αξεσουάρ ή εξαρτημάτων με το εργαλείο της Makita, όπως περιγράφεται στο παρόν εγχειρίδιο. Αν χρησιμοποιήσετε άλλα αξεσουάρ ή εξαρτήματα μπορεί να παρουσιαστεί κίνδυνος για πρόκληση τραυματισμού προσώπων. Να χρησιμοποιείτε τα αξεσουάρ και τα εξαρτήματα μόνο για το σκοπό για τον οποίο προορίζονται.

Αν χρειάζεστε κάποια βοήθεια ή περισσότερες πληροφορίες σχετικά με τα αξεσουάρ αυτά, απευθυνθείτε στο πλησιέστερο κέντρο εξυπηρέτησης της Makita.

- Ένθετη μύτη Phillips
- Μαγνητικό στήριγμα μύτης
- Διάφοροι τύποι γνήσιων μπαταριών και φορτιστών της Makita
- Πλαστική θήκη μεταφοράς

ΣΗΜΕΙΩΣΗ:

- Ορισμένα από τα στοιχεία της λίστα μπορεί να περιέχονται στην συσκευασία του εργαλείου ως κανονικά αξεσουάρ. Αυτά ενδέχεται να διαφέρουν από χώρα σε χώρα.

Θόρυβος

ENG905-1

Το σύνθετος σταθμισμένο επίπεδο θορύβου που έχει καθοριστεί σύμφωνα με την EN60745:

Μοντέλο DFS441

Επίπεδο ηχητικής πίεσης (L_{pA}): 70 dB (A) ή λιγότερο
Αβεβαιότητα (K): 3 dB (A)

Το επίπεδο θορύβου σε λειτουργία ενδέχεται να υπερβεί τα 80 dB (A).

Μοντέλο DFS451

Επίπεδο ηχητικής πίεσης (L_{pA}): 71 dB (A)
Αβεβαιότητα (K): 3 dB (A)

Το επίπεδο θορύβου σε λειτουργία ενδέχεται να υπερβεί τα 80 dB (A).

Να φοράτε ωτοασπίδες.

Δόνηση

ENG900-1

Η συνολική τιμή δόνησης (διανυσματικό άθροισμα τριών αξόνων) που έχει καθοριστεί σύμφωνα με την EN60745:

Κατάσταση λειτουργίας: βίδωμα χωρίς κρούση
Εκπομπή δόνησης (a_{h1}): 2,5 m/s² ή λιγότερο
Αβεβαιότητα (K): 1,5 m/s²

ENG901-1

- Η δηλωθείσα τιμή των παραγομένων κραδασμών έχει καταμετρηθεί σύμφωνα με την τυποποιημένη μέθοδο δοκιμασίας και μπορεί να χρησιμοποιηθεί για την σύγκριση ενός εργαλείου με ένα άλλο.
- Η δηλωθείσα τιμή των παραγομένων κραδασμών μπορεί επίσης να χρησιμοποιηθεί για μια προκαταρκτική αξιολόγηση της έκθεσης στους κραδασμούς.

ΠΡΟΕΙΔΟΠΟΙΗΣΗ:

- Η εκπομπή κραδασμών κατά τη διάρκεια της πραγματικής χρήσης του ηλεκτρικού εργαλείου μπορεί να διαφέρει από τη δηλωθείσα τιμή των εκπομπών, ανάλογα με τον τρόπο με τον οποίο χρησιμοποιείται το εργαλείο.
- Φροντίστε να λάβετε τα μέτρα ασφαλείας που απαιτούνται για την προστασία του χρήστη που βασίζονται σε μια εκτίμηση της έκθεσης σε πραγματικές συνθήκες χρήσης (λαμβάνοντας υπόψη όλα τα μέρη του κύκλου λειτουργίας, όπως είναι οι περιπτώσεις κατά τις οποίες το εργαλείο είναι απενεργοποιημένο και όταν λειτουργεί στο ρελαντί επιπρόσθετως του χρόνου κατά τον οποίο το εργαλείο βρίσκεται σε χρήση).

Για Ευρωπαϊκές χώρες μόνο

ENH101-15

ΕΚ – Δήλωση συμμόρφωσης

Η Εταιρία Makita ως υπεύθυνος κατασκευαστής, δηλώνει ότι το παρακάτω μηχάνημα ή μηχανήματα της Makita:

Ονομασία μηχανήματος:

Κατσαβίδι μπαταρίας

Αρ. Μοντέλου/ Τύπος: DFS441, DFS451

αποτελούν παραγωγή σε σειρά και

Συμμορφώνονται με τις ακόλουθες Ευρωπαϊκές

Οδηγίες:

2006/42/ΕΚ

Και κατασκευάζεται σύμφωνα με τα παρακάτω πρότυπα ή τυποποιημένα έγγραφα:

EN60745

Ο εξουσιοδοτημένος μας αντιπρόσωπος στην Ευρώπη διατηρεί τα τεχνικά έγγραφα, ο οποίος είναι:

Makita International Europe Ltd.

Michigan Drive, Tongwell,

Milton Keynes, Bucks MK15 8JD, England

14. 9. 2010



Tomoyasu Kato

Διευθυντής

Makita Corporation

3-11-8, Sumiyoshi-cho,

Anjo, Aichi, 446-8502, JAPAN

Makita Corporation
Anjo, Aichi, Japan

www.makita.com

885267-996

ALA