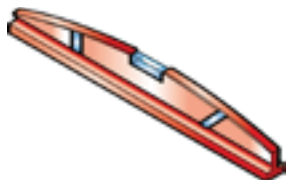
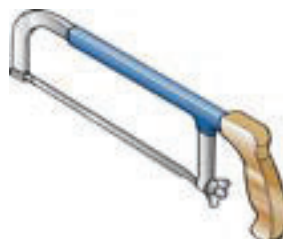


gexi
t 050 pvc





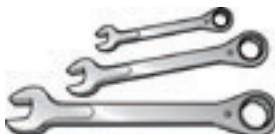
2 mm ($\frac{5}{64}$ "
 2,5 mm ($\frac{3}{32}$ "
 3 mm ($\frac{1}{8}$ "
 5 mm ($\frac{13}{64}$ "
 6 mm ($\frac{15}{64}$ "
 12 mm ($\frac{15}{32}$ "



PH 2



Ø 2,5 mm ($\frac{3}{32}$ "
 Ø 3 mm ($\frac{1}{8}$ "
 Ø 5 mm ($\frac{13}{64}$ "

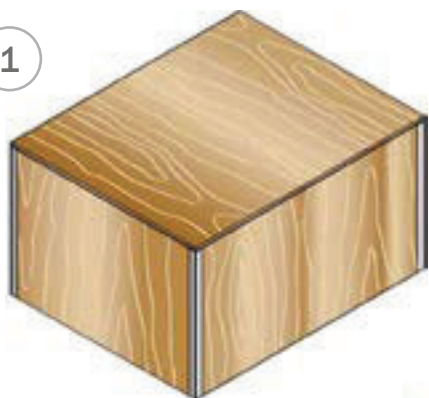


13 mm ($\frac{33}{64}$ "
 17 mm ($\frac{43}{64}$ "
 30 mm ($1 \frac{3}{16}$ "

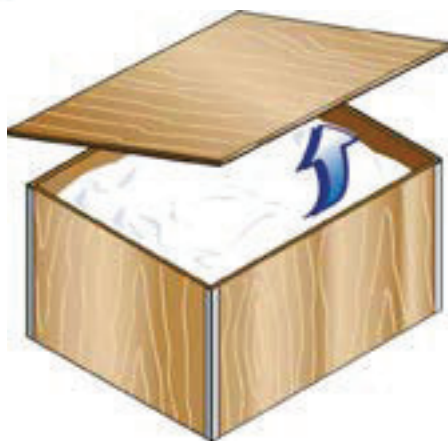


Ø8 x 300 mm
 (D $\frac{3}{16}$ " x 11 $\frac{13}{16}$ "
 Ø12 x 120 mm
 (D $\frac{15}{32}$ " x 4 $\frac{23}{32}$ "
 Ø14 x 150 mm
 (D $\frac{35}{64}$ " x 5 $\frac{29}{32}$ "

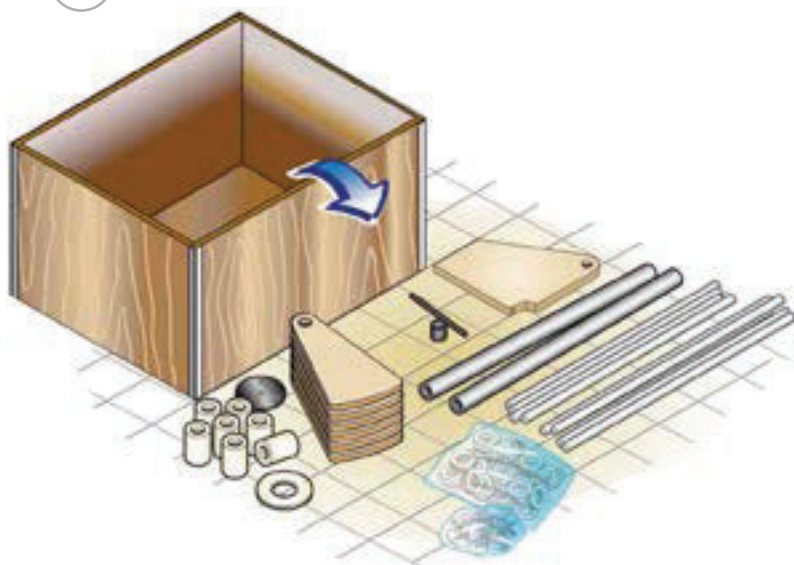
1



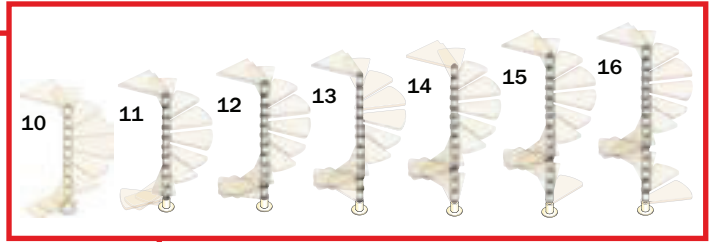
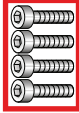
2



3




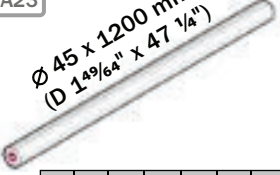







10	11	12	13	14	15	16
1	1	2	3	4	5	5



10	11	12	13	14	15	16
----	----	----	----	----	----	----

A	7	7	7	7	7	7	7
B	10	10	10	10	10	10	10

A = Ø 120 - 130 - 140 (D 4 7/8" - 5 13/16" - 5 5/8")
 B = Ø 150 - 160 (D 5 9/16" - 6 3")

<p>A22</p> <p>Ø 45 x 1200 mm (D 1 49/64" x 47 1/4")</p>  <table border="1"> <tr><td>10</td><td>11</td><td>12</td><td>13</td><td>14</td><td>15</td><td>16</td></tr> <tr><td>4</td><td>4</td><td>5</td><td>5</td><td>5</td><td>6</td><td>6</td></tr> </table>	10	11	12	13	14	15	16	4	4	5	5	5	6	6	<p>A23</p> <p>Ø 45 x 1200 mm (D 1 49/64" x 47 1/4")</p>  <table border="1"> <tr><td>10</td><td>11</td><td>12</td><td>13</td><td>14</td><td>15</td><td>16</td></tr> <tr><td>1</td><td>1</td><td>1</td><td>1</td><td>1</td><td>1</td><td>1</td></tr> </table>	10	11	12	13	14	15	16	1	1	1	1	1	1	1	<p>A25</p>  <table border="1"> <tr><td>10</td><td>11</td><td>12</td><td>13</td><td>14</td><td>15</td><td>16</td></tr> <tr><td>4</td><td>4</td><td>4</td><td>4</td><td>4</td><td>4</td><td>4</td></tr> </table>	10	11	12	13	14	15	16	4	4	4	4	4	4	4
10	11	12	13	14	15	16																																						
4	4	5	5	5	6	6																																						
10	11	12	13	14	15	16																																						
1	1	1	1	1	1	1																																						
10	11	12	13	14	15	16																																						
4	4	4	4	4	4	4																																						
<p>A26</p>  <table border="1"> <tr><td>10</td><td>11</td><td>12</td><td>13</td><td>14</td><td>15</td><td>16</td></tr> <tr><td>4</td><td>4</td><td>4</td><td>4</td><td>4</td><td>4</td><td>4</td></tr> </table>	10	11	12	13	14	15	16	4	4	4	4	4	4	4	<p>A36</p>  <table border="1"> <tr><td>10</td><td>11</td><td>12</td><td>13</td><td>14</td><td>15</td><td>16</td></tr> <tr><td>2</td><td>2</td><td>2</td><td>2</td><td>2</td><td>2</td><td>2</td></tr> </table>	10	11	12	13	14	15	16	2	2	2	2	2	2	2	<p>A37</p>  <table border="1"> <tr><td>10</td><td>11</td><td>12</td><td>13</td><td>14</td><td>15</td><td>16</td></tr> <tr><td>3</td><td>3</td><td>3</td><td>3</td><td>3</td><td>3</td><td>3</td></tr> </table>	10	11	12	13	14	15	16	3	3	3	3	3	3	3
10	11	12	13	14	15	16																																						
4	4	4	4	4	4	4																																						
10	11	12	13	14	15	16																																						
2	2	2	2	2	2	2																																						
10	11	12	13	14	15	16																																						
3	3	3	3	3	3	3																																						
<p>B02</p>  <table border="1"> <tr><td>10</td><td>11</td><td>12</td><td>13</td><td>14</td><td>15</td><td>16</td></tr> <tr><td>28</td><td>30</td><td>32</td><td>34</td><td>36</td><td>38</td><td>40</td></tr> </table>	10	11	12	13	14	15	16	28	30	32	34	36	38	40	<p>B03</p>  <table border="1"> <tr><td>10</td><td>11</td><td>12</td><td>13</td><td>14</td><td>15</td><td>16</td></tr> <tr><td>1</td><td>1</td><td>1</td><td>1</td><td>1</td><td>1</td><td>1</td></tr> </table>	10	11	12	13	14	15	16	1	1	1	1	1	1	1	<p>B04</p>  <p>20,4 x 40 x 2,5 mm (13/16" x 1 37/64" x 3/32")</p> <table border="1"> <tr><td>10</td><td>11</td><td>12</td><td>13</td><td>14</td><td>15</td><td>16</td></tr> <tr><td>1</td><td>1</td><td>1</td><td>1</td><td>1</td><td>1</td><td>1</td></tr> </table>	10	11	12	13	14	15	16	1	1	1	1	1	1	1
10	11	12	13	14	15	16																																						
28	30	32	34	36	38	40																																						
10	11	12	13	14	15	16																																						
1	1	1	1	1	1	1																																						
10	11	12	13	14	15	16																																						
1	1	1	1	1	1	1																																						

B05

10	11	12	13	14	15	16
1	1	1	1	1	1	1

B12

Ø 8 mm
(D 5/16")

10	11	12	13	14	15	16
A	7	7	7	7	7	7
B	10	10	10	10	10	10

B13

M8 mm
(M 5/16")

10	11	12	13	14	15	16
9	9	9	9	9	9	9

B17

M20 x 40 mm
(M 25/32" x 1 37/64")

10	11	12	13	14	15	16
1	1	1	1	1	1	1

B33

M14 x 43 mm
(M 35/64" x 1 11/16")

10	11	12	13	14	15	16
3	3	4	4	4	5	5

B46

10	11	12	13	14	15	16
2	2	2	2	2	2	2

B47

10	11	12	13	14	15	16
1	1	1	1	1	2	2

B82

10	11	12	13	14	15	16
9	10	11	12	13	14	15

B83

10	11	12	13	14	15	16
7	7	7	7	7	7	7

B95

10	11	12	13	14	15	16
4	4	4	4	4	4	4

BB5

M4,5 x 40 mm
(M 1 1/64" x 1 37/64")

10	11	12	13	14	15	16
57	63	69	75	81	87	93

BB7

10	11	12	13	14	15	16
64	68	72	76	80	84	88

BT9

10	11	12	13	14	15	16
64	68	72	76	80	84	88

C04

Ø 45 x 946 mm
(D 1 49/64" x 1 3/16")



10	11	12	13	14	15	16
1	1	1	1	1	1	1

C13

10	11	12	13	14	15	16
19	21	23	25	27	29	31

C49



M6 mm
(M 1⁵/₆₄")

	10	11	12	13	14	15	16
A	2	2	2	2	2	2	2
B	3	3	3	3	3	3	3

C50



M6 x 25 mm
(M 1⁵/₆₄" x 6³/₆₄")

	10	11	12	13	14	15	16
A	2	2	2	2	2	2	2
B	3	3	3	3	3	3	3

C54



10	11	12	13	14	15	16
1	1	1	1	1	1	1

C58



M6,4 x 40 mm
(M 1/4" x 1 37/64")

	10	11	12	13	14	15	16
A	21	21	21	21	21	21	21
B	24	24	24	24	24	24	24

C63



10	11	12	13	14	15	16
15	16	17	18	19	20	21

C64



M3,5 x 38 mm
(M 9/64" x 1 1/2")

10	11	12	13	14	15	16
38	40	42	44	46	48	50

C65



M4 mm
(M 5/32")

10	11	12	13	14	15	16
15	16	17	18	19	20	21

C66



M4 x 14 mm
(M 5/32" x 35/64")

10	11	12	13	14	15	16
15	16	17	18	19	20	21

C77



10	11	12	13	14	15	16
64	68	72	76	80	84	88

C83



10	11	12	13	14	15	16
1	1	1	1	1	1	1

CA3



10	11	12	13	14	15	16
24	24	24	24	24	24	24

CM4



10	11	12	13	14	15	16
9	10	11	12	13	14	15

CM5



10	11	12	13	14	15	16
6	6	6	6	6	6	6

CM6



10	11	12	13	14	15	16
1	1	1	1	1	1	1

D01



10	11	12	13	14	15	16
6	6	6	6	6	6	6

D43



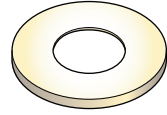
10	11	12	13	14	15	16
1	1	1	1	1	1	1

D45



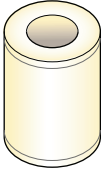
10	11	12	13	14	15	16
60	66	72	78	84	90	96

D46



10	11	12	13	14	15	16
1	1	1	1	1	1	1

D47



10	11	12	13	14	15	16
10	11	12	13	14	15	16

D72



10	11	12	13	14	15	16
3	3	4	4	4	5	5

E06



10	11	12	13	14	15	16
1	1	1	1	1	1	1

F01



10	11	12	13	14	15	16
6	6	6	6	6	6	6

F08



10	11	12	13	14	15	16
A	4	4	4	4	4	4
B	6	6	6	6	6	6

F09



10	11	12	13	14	15	16
A	2	2	2	2	2	2
B	3	3	3	3	3	3

F12



10	11	12	13	14	15	16
4	4	4	4	4	4	4

F34



10	11	12	13	14	15	16
1	1	1	1	1	1	1

F65



10	11	12	13	14	15	16
18	20	22	24	26	28	30

F66



10	11	12	13	14	15	16
1	1	1	1	1	1	1

G01

M20 x 1000mm
M 2⁹/₃₂" x 39 ³/₈"

10	11	12	13	14	15	16
1	1	1	1	1	1	1

G02



10	11	12	13	14	15	16
2	2	2	2	2	3	3

G03



10	11	12	13	14	15	16
1	1	1	1	1	1	1

L34



10	11	12	13	14	15	16
9	10	11	12	13	14	15

X01



10	11	12	13	14	15	16
1	1	1	1	1	1	1



IT) ATTENZIONE!

Leggere e seguire scrupolosamente queste istruzioni e tenere per future consultazioni.
Eseguire l'installazione "a regola d'arte", utilizzando attrezzi idonei; seguire scrupolosamente le istruzioni di montaggio. Informarsi prima dell'installazione, sui regolamenti locali e nazionali da rispettare, in funzione della destinazione d'uso (privato principale, secondario, uffici, negozi,...).

FR) ATTENTION !

Lire et respecter scrupuleusement les présentes instructions ; les conserver pour toute autre consultation.

Effectuer l'installation dans les règles de l'art en utilisant des outils appropriés ; suivre scrupuleusement les instructions de montage. Pour réaliser un montage conforme aux normes en vigueur, il faut s'informer avant l'installation quant aux réglementations locales et nationales à respecter, en fonction du domaine d'utilisation (résidence privée principale, secondaire, bureaux, magasins,...).

EN) WARNING!

Carefully read and strictly follow these instruction and keep them for future consultation.

Carry out the installation in a "workmanlike" manner, strictly following the installation instructions and using suitable tools. Always consult your local building department for code requirements that must be respected depending on its destination of use (private, secondary, public...).

ES) ¡ATENCIÓN!

Leer y seguir estrictamente estas instrucciones y conservarlas para consultas futuras.

Realizar la instalación "según las reglas del arte", utilizando herramientas adecuadas; seguir estrictamente las instrucciones de montaje. Informarse antes de la instalación sobre los reglamentos locales y nacionales a respetar, en función del destino de uso (privado principal, secundario, oficinas, tiendas,...).

DE) ACHTUNG!

Lesen sie diese Anleitung sorgfältig durch und heben sie sie für spätere Zwecke auf.

Die Montage muss fachgerecht, unter Zuhilfenahme geeigneter Hilfsmittel und unter strikter Einhaltung der Montageanleitung ausgeführt werden. Damit die Montage normgerecht erfolgen kann, muss man zuvor Informationen zur Aufstellung und zu den lokal und national geltenden Vorschriften je nach Bestimmungszweck (privat, Haupt- oder Nebeneinrichtung, Büros, Geschäfte, ...) einholen.

SV) OBSERVERA!

Läs och följ noggrant dessa anvisningar och spara dem för framtida konsultation.

Utför installationen på ett yrkesmannamässigt sätt med lämpliga verktyg. Följ monteringsinstruktionerna i detalj. Informera dig före installationen om lokala och nationella bestämmelser som ska respekteras, beroende på avsett användningsområde (privat, offentlig, kontor, butiker o.s.v.).

DA) ADVARSEL!

Læs og overhold nøje disse anvisninger og opbevar dem til efterfølgende henvisninger.

Installationen skal udføres i overensstemmelse med bedste praksis, ved brug af egnede redskaber; følg omhyggeligt monteringsinstruktionerne. Hent oplysninger før installationen angående de lokale og nationale bestemmelser, der skal overholdes afhængigt af den påtænkte anvendelse (privat hovedbrug, privat sekundær brug, kontorer, butikker,...).

NO) ADVARSEL!

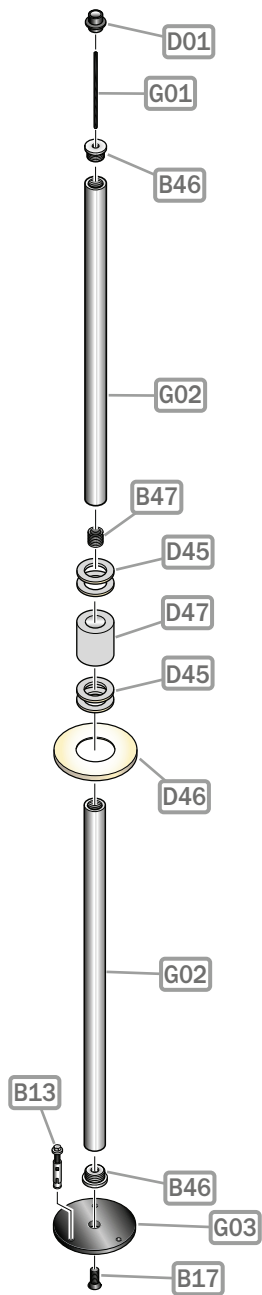
Les og følg bruksanvisningen nøye og oppbevar den for senere bruk.

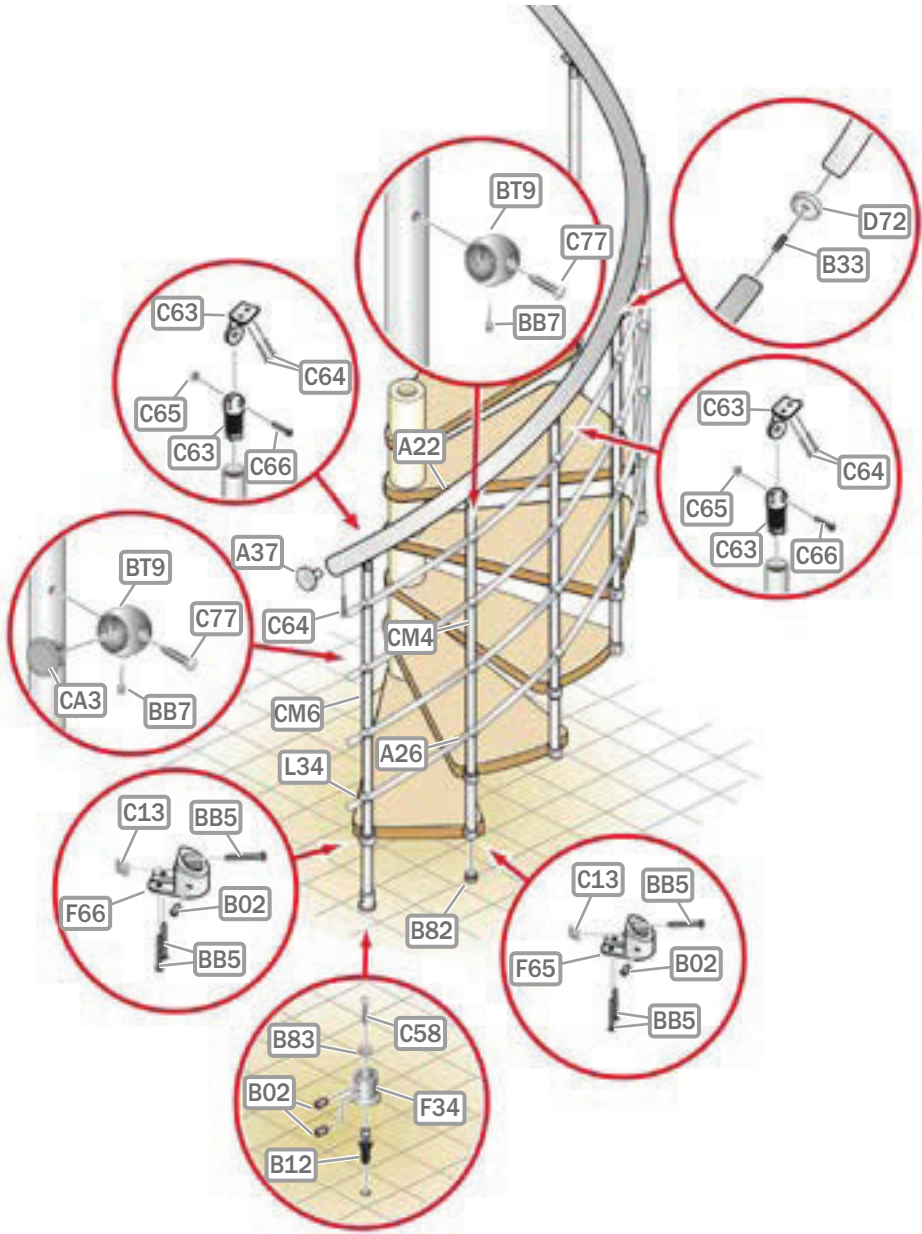
Produktet må installeres "etter alle kunstens regler" og med passende verktøy. Følg monteringsbeskrivelsen nøye. Informer deg om eventuelle lokale og nasjonale forskrifter som gjelder for ditt spesielle bruksområde (primær eller sekundær privat bruk, kontorer, forretninger osv.) før du installerer produktet.

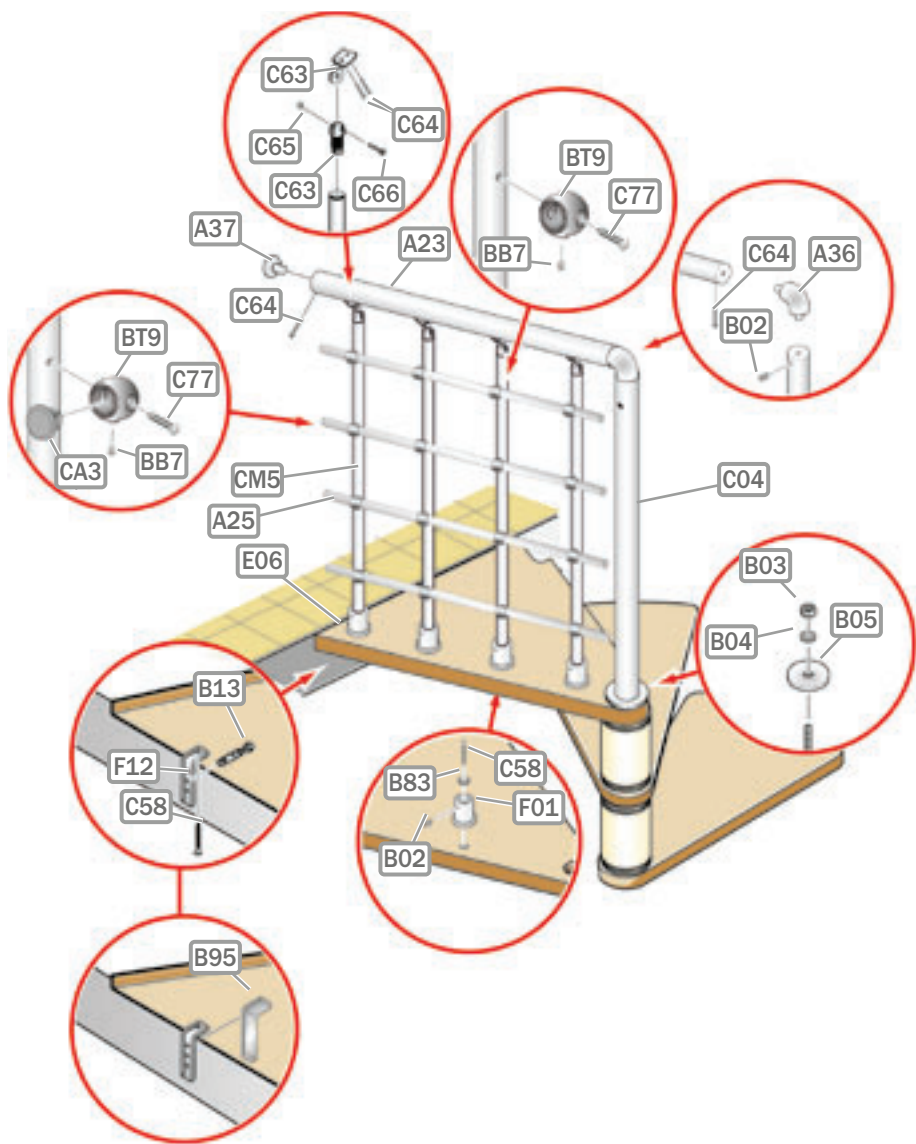
FI) VAROITUS!

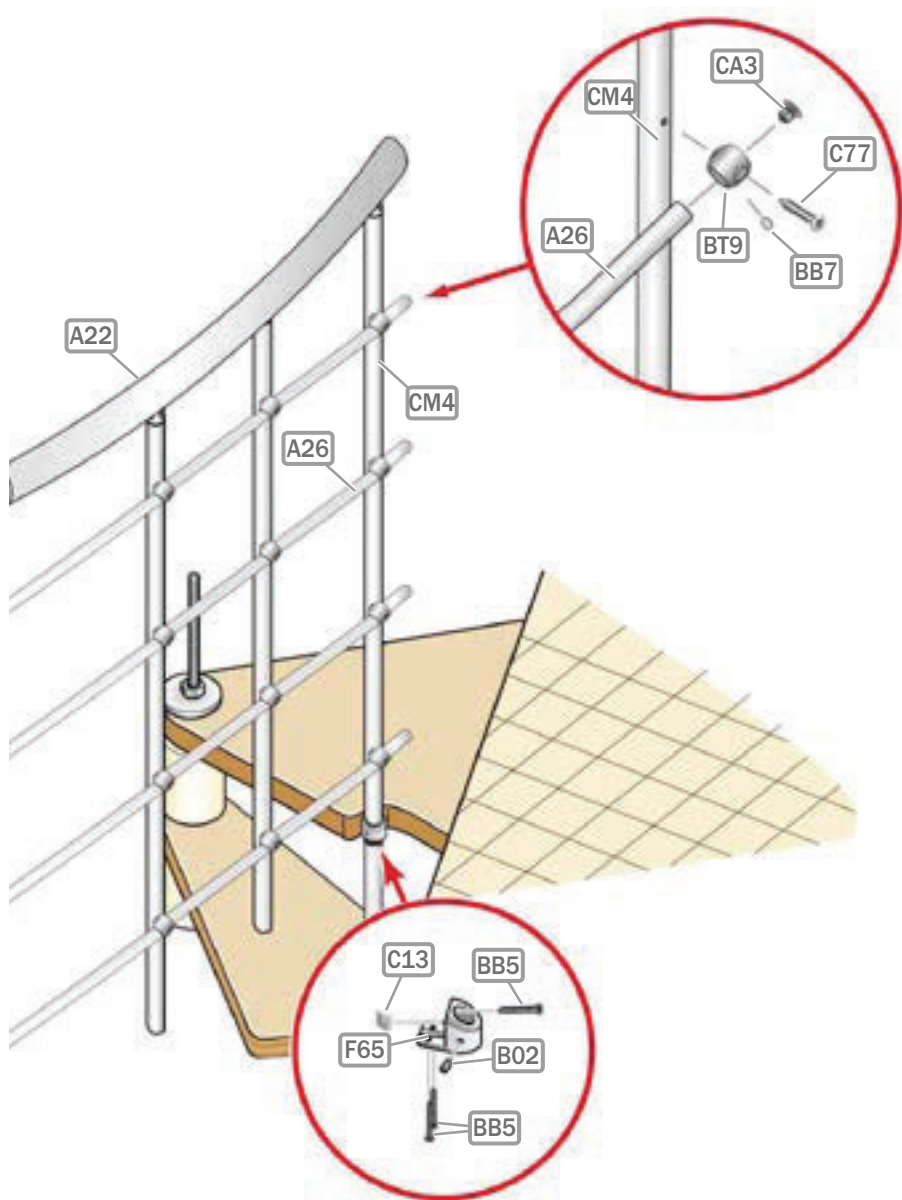
Lue ja noudata huolellisesti näitä ohjeita ja säilytä ne tulevaa tarvetta varten.

Suorita asennus kunnolla käyttäen asianmukaisia välineitä; noudata huolellisesti asennusohjeita. Tutustu ennen asennusta voimassa oleviin paikallisiin ja kansallisiin määräyksiin, käyttökohteen mukaan (yksityinen pääasiallinen, toissijainen, toimisto, kaupat,...).

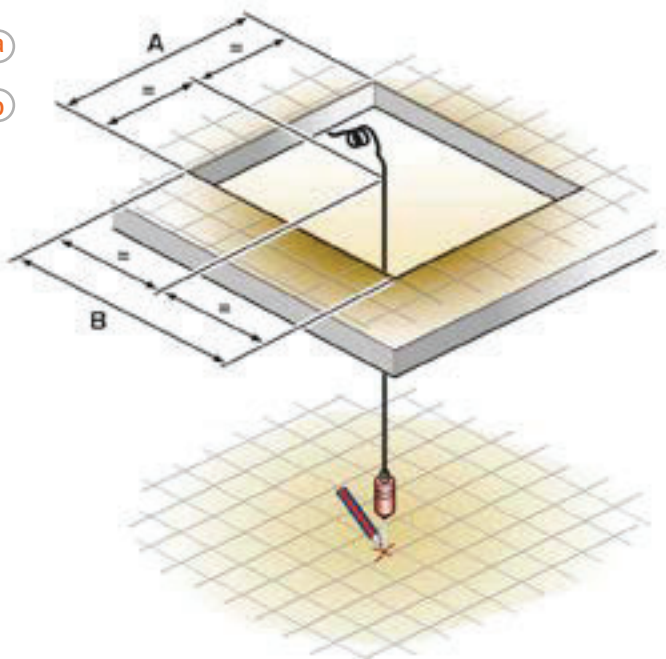




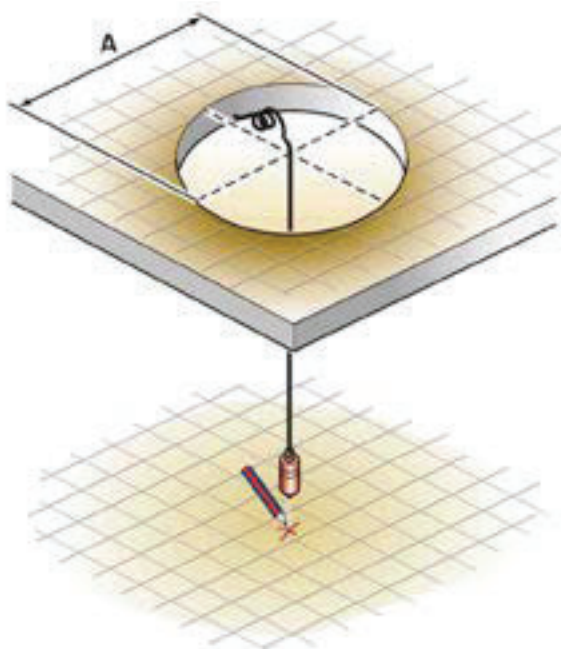


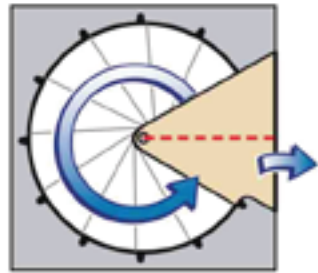
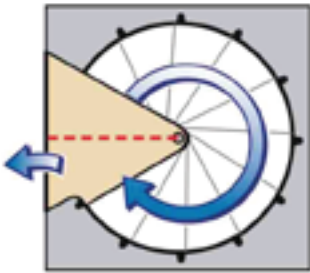
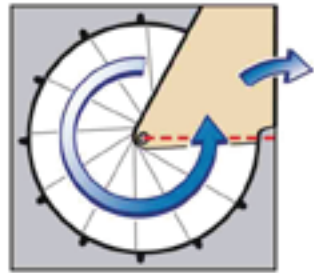
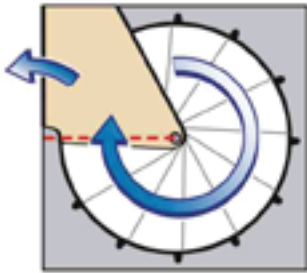


4 a
b

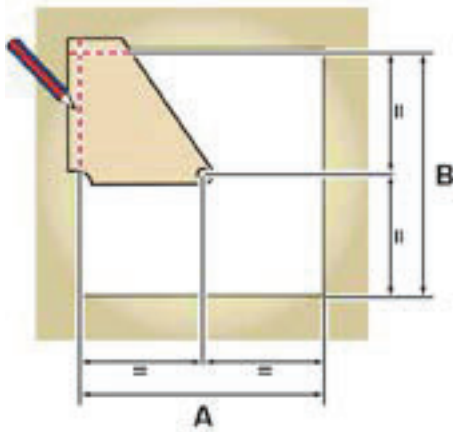
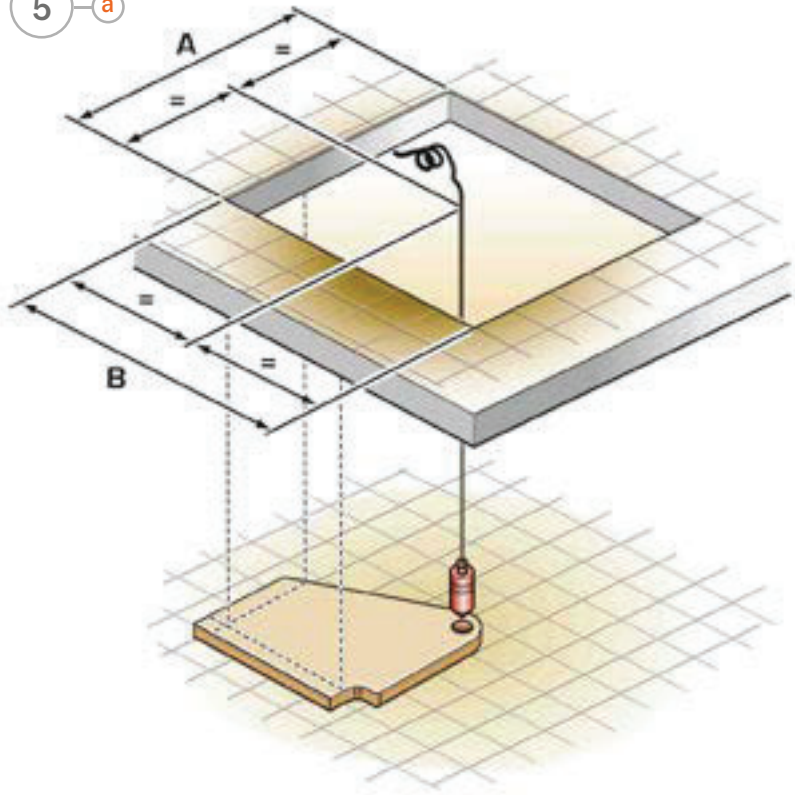


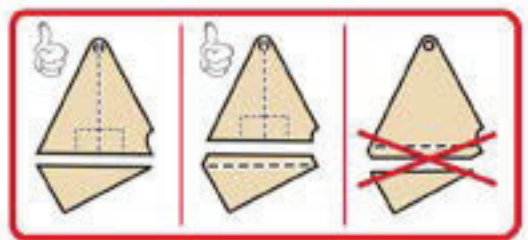
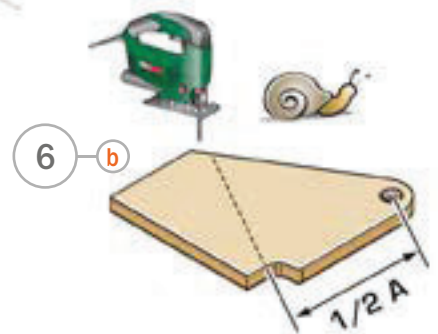
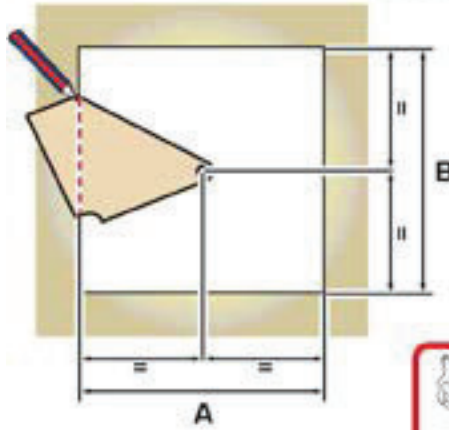
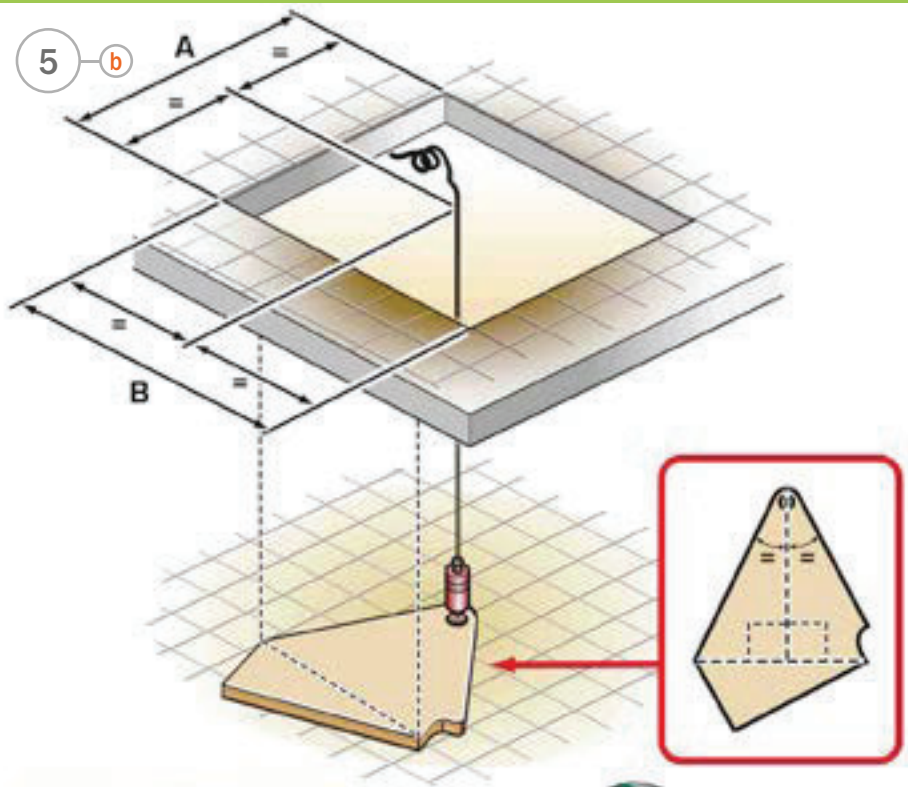
4 c



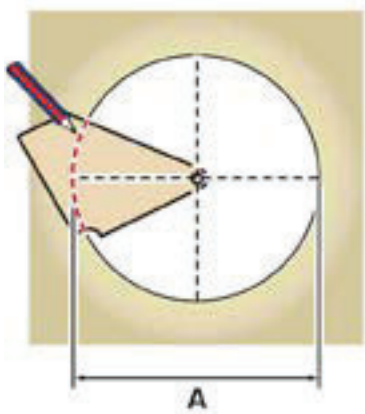
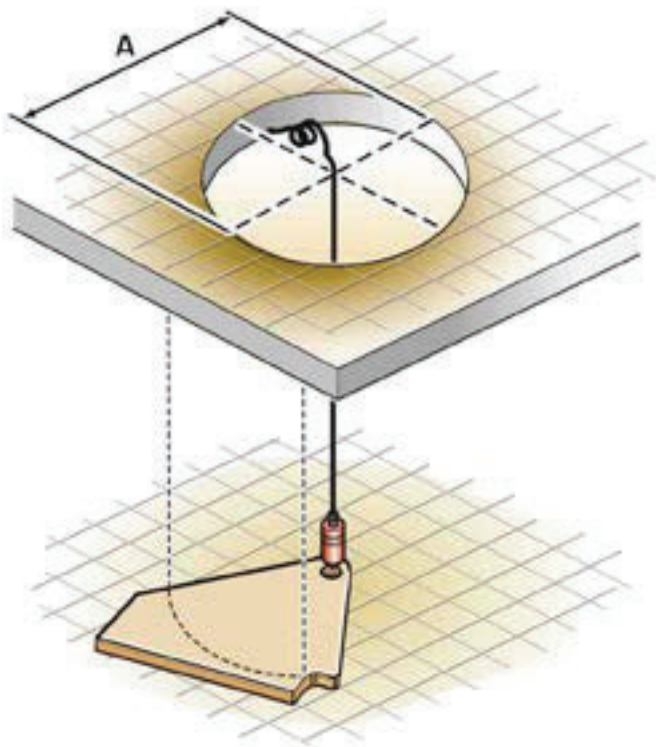


5 a





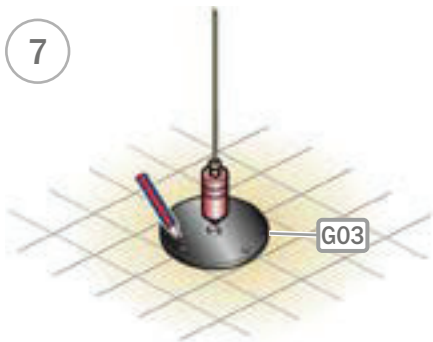
5 c



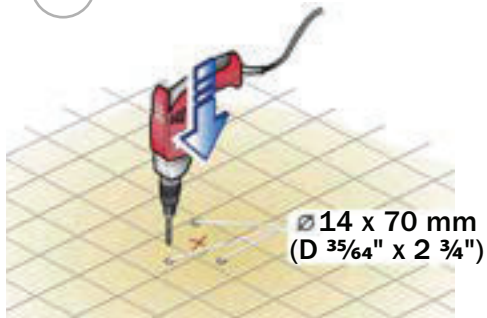
6 c



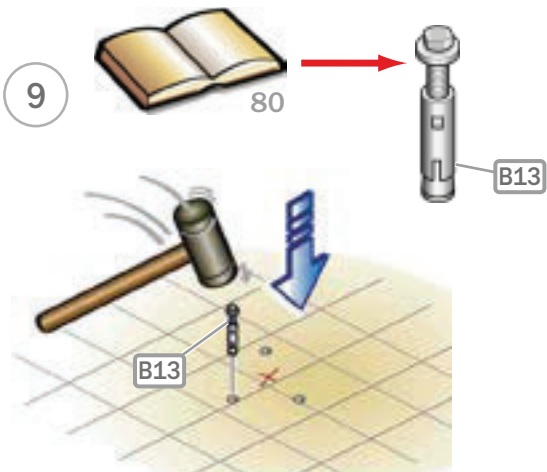
7



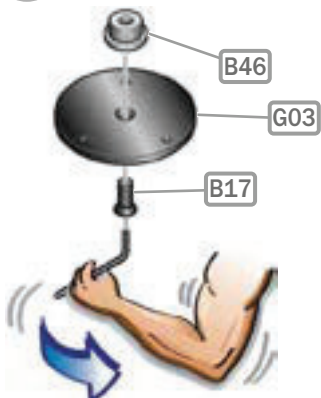
8



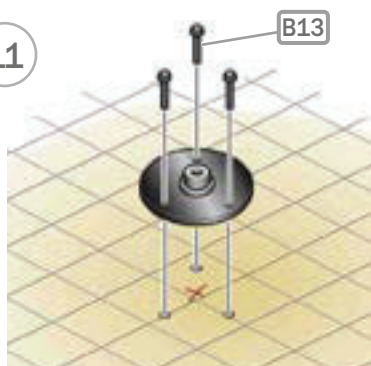
9



10



11



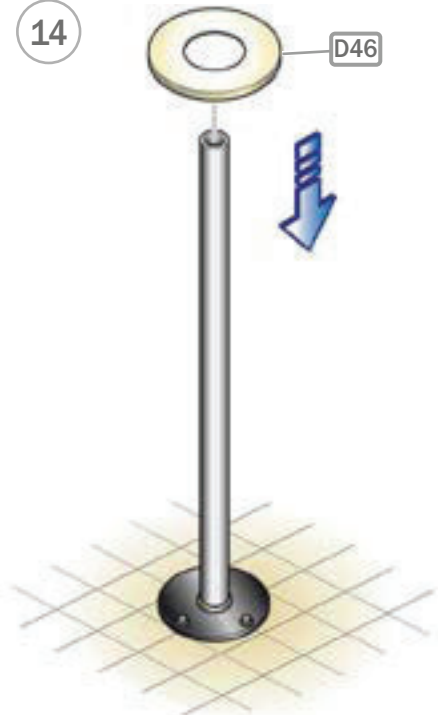
12

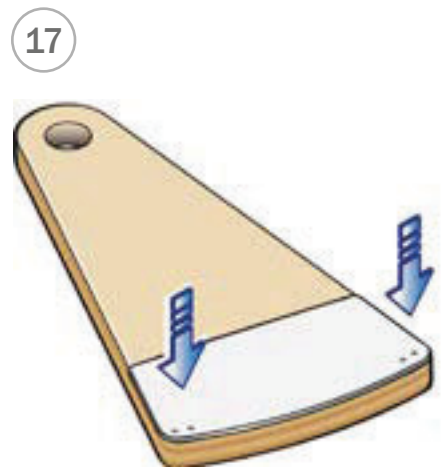
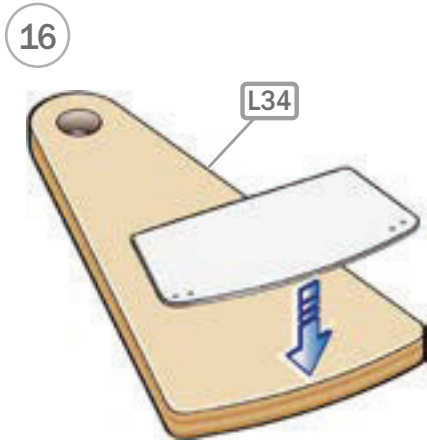


13

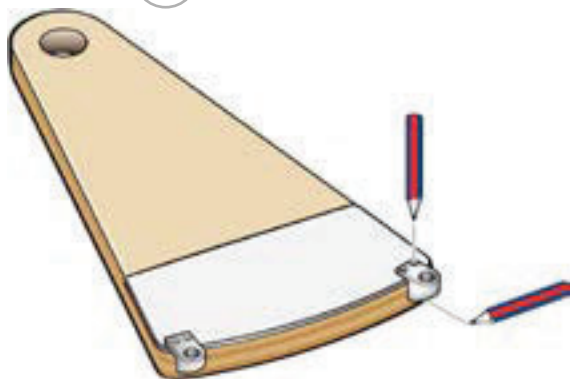


14

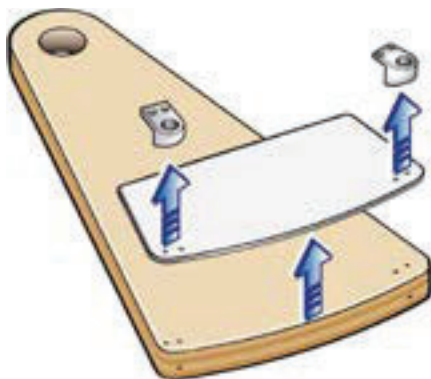




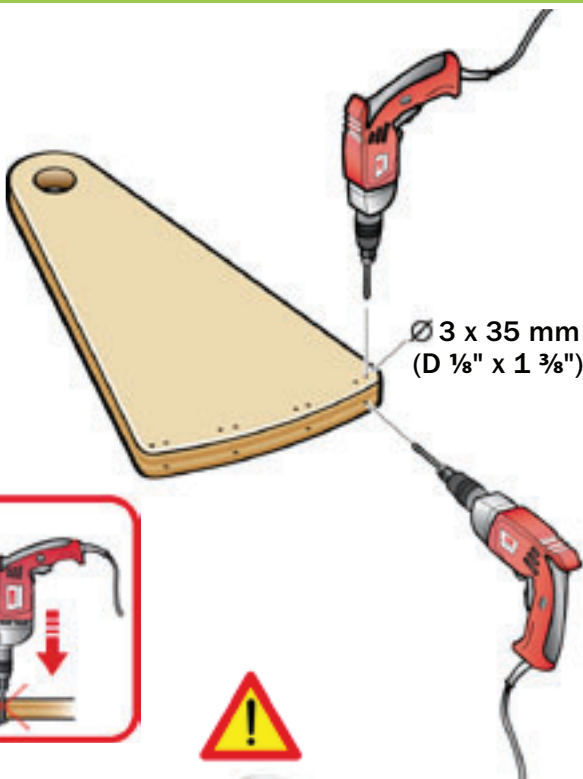
18



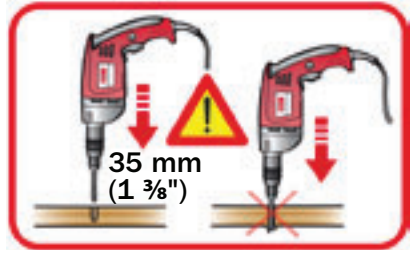
19



21



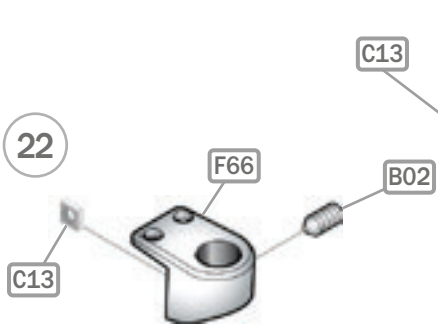
Ø 3 x 35 mm
(D 1/8" x 1 3/8")



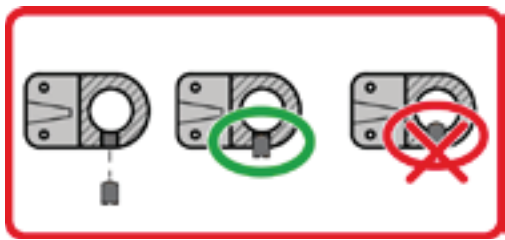
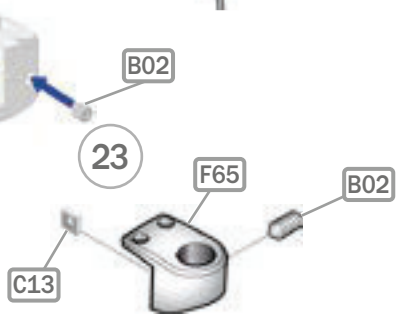
35 mm
(1 3/8")

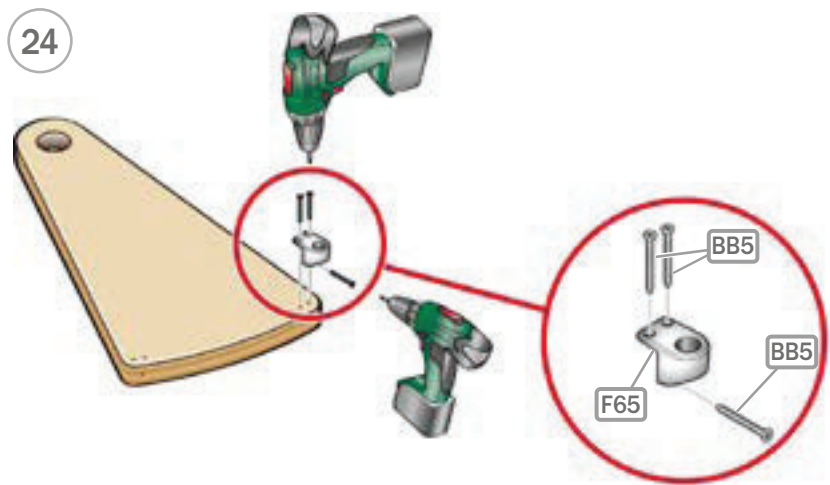
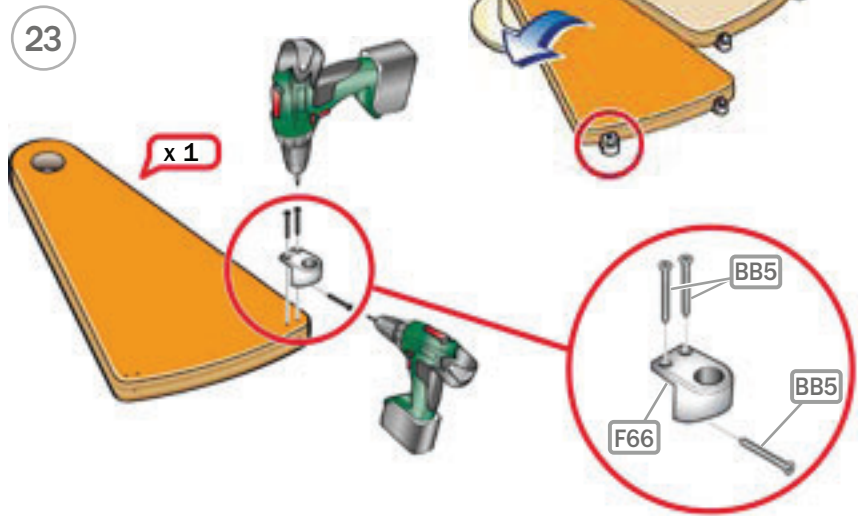


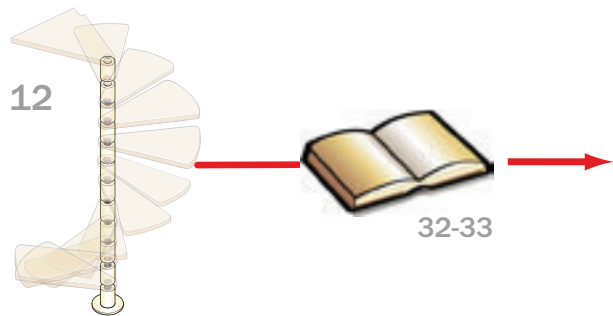
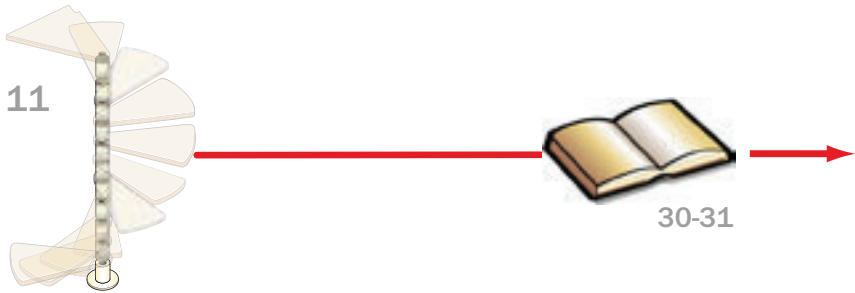
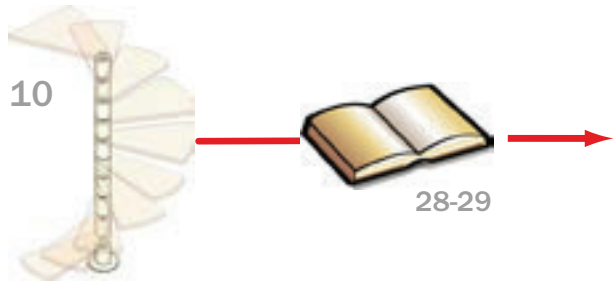
22

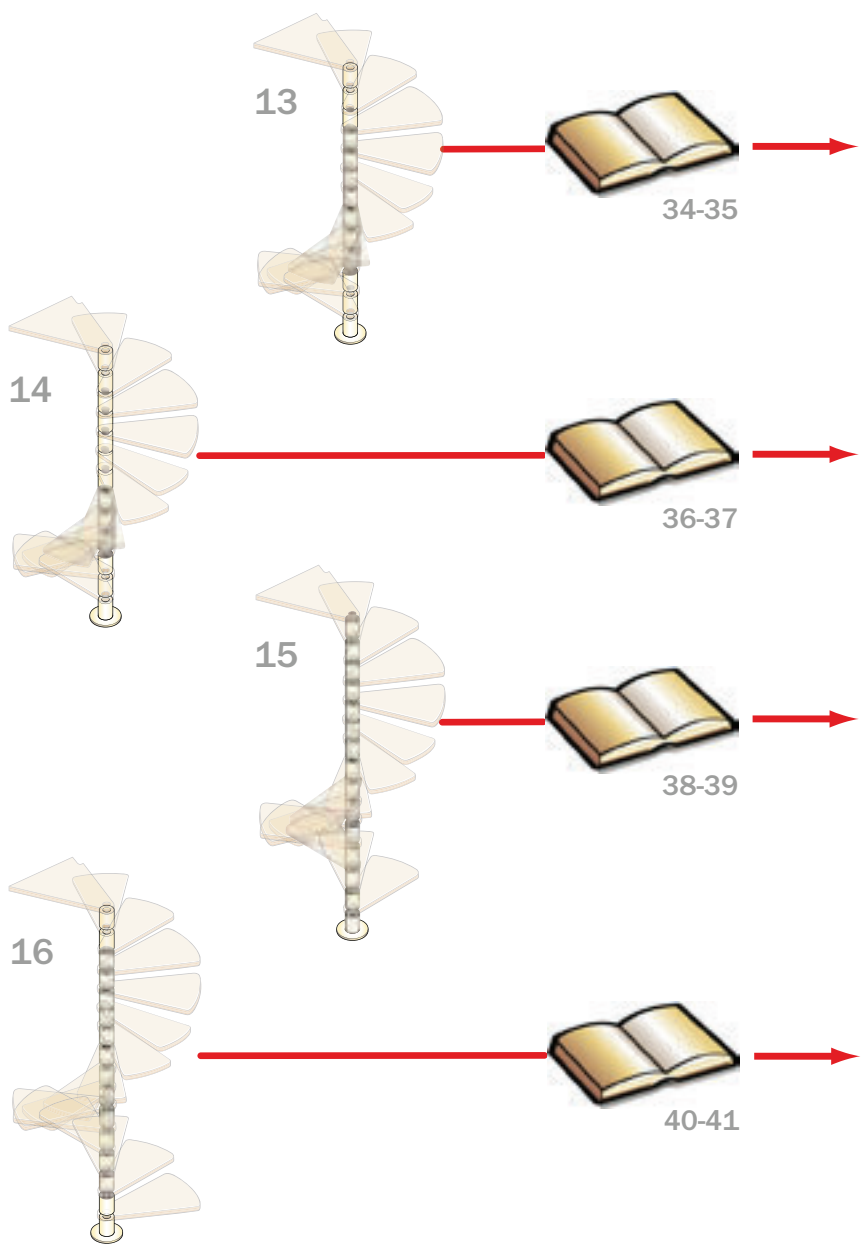


23

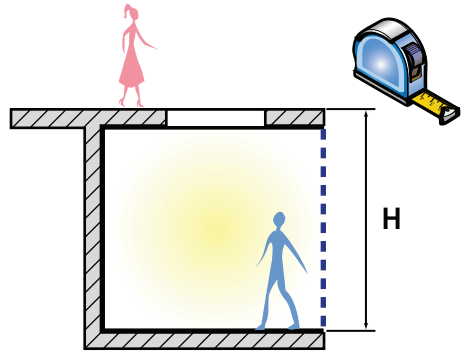








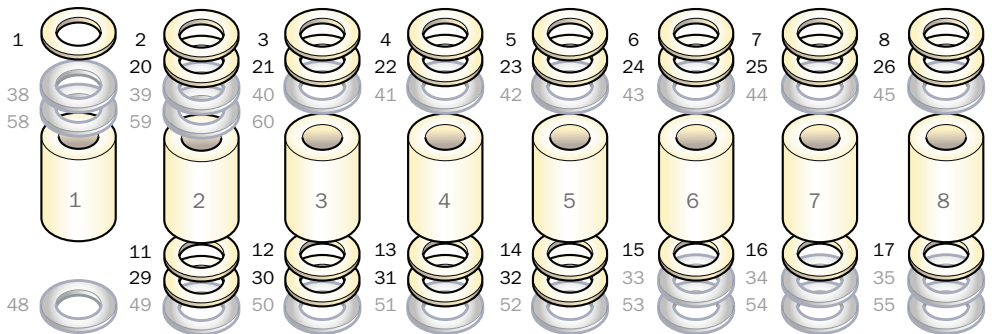
H cm	H inch	D47	D45
210	82 1/16"	10	0
211	83 1/16"	10	2
212	83 7/16"	10	4
213	83 3/8"	10	6
214	84 1/4"	10	8
215	84 3/8"	10	10
216	85 1/16"	10	12
217	85 7/16"	10	14
218	85 13/16"	10	16
219	86 1/4"	10	18
220	86 3/8"	10	20
221	87"	10	22
222	87 3/8"	10	24
223	87 13/16"	10	26
224	88 3/16"	10	28
225	88 9/16"	10	30
226	89"	10	32
227	89 3/8"	10	34
228	89 3/4"	10	36
229	90 3/16"	10	38
230	90 9/16"	10	40
231	90 15/16"	10	42
232	91 3/16"	10	44
233	91 3/4"	10	46
234	92 1/8"	10	48
235	92 1/2"	10	50
236	92 15/16"	10	52
237	93 1/8"	10	54
238	93 13/16"	10	56
239	94 1/8"	10	58
240	94 1/2"	10	60

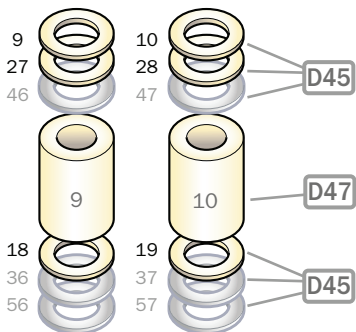
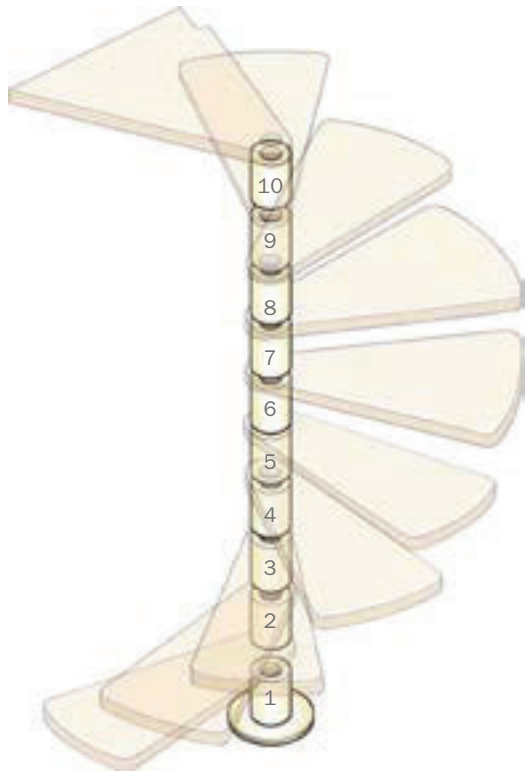
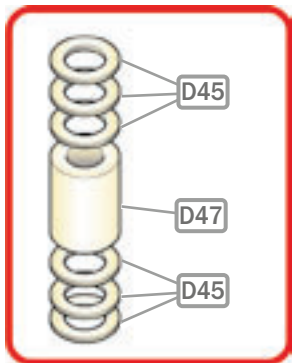


H = 226 cm (89")

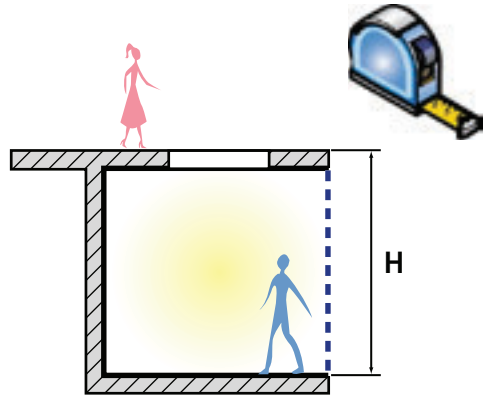
D47 = 10

D45 = 32





H cm	H inch	D47	D45
231	90 1 ⁹ / ₁₆ "	11	0
232	91 3 ¹ / ₁₆ "	11	2
233	91 3 ¹ / ₄ "	11	4
234	92 1 ¹ / ₈ "	11	6
235	92 1 ¹ / ₂ "	11	8
236	92 1 ³ / ₁₆ "	11	10
237	93 1 ¹ / ₈ "	11	12
238	93 1 ¹ / ₁₆ "	11	14
239	94 1 ¹ / ₈ "	11	16
240	94 1 ¹ / ₂ "	11	18
241	94 7 ¹ / ₈ "	11	20
242	95 1 ¹ / ₄ "	11	22
243	95 1 ¹ / ₁₆ "	11	24
244	96 1 ¹ / ₁₆ "	11	26
245	96 7 ¹ / ₁₆ "	11	28
246	96 7 ¹ / ₈ "	11	30
247	97 1 ¹ / ₄ "	11	32
248	97 5 ¹ / ₈ "	11	34
249	98 1 ¹ / ₁₆ "	11	36
250	98 7 ¹ / ₁₆ "	11	38
251	98 1 ¹ / ₁₆ "	11	40
252	99 3 ¹ / ₁₆ "	11	42
253	99 3 ¹ / ₈ "	11	44
254	100"	11	46
255	100 3 ¹ / ₈ "	11	48
256	100 1 ³ / ₁₆ "	11	50
257	101 3 ¹ / ₁₆ "	11	52
258	101 1 ¹ / ₁₆ "	11	54
259	101 1 ³ / ₁₆ "	11	59
260	102 3 ¹ / ₈ "	11	58
261	102 3 ¹ / ₄ "	11	60
262	103 1 ¹ / ₈ "	11	62
263	103 3 ¹ / ₁₆ "	11	64
264	103 1 ³ / ₁₆ "	11	66

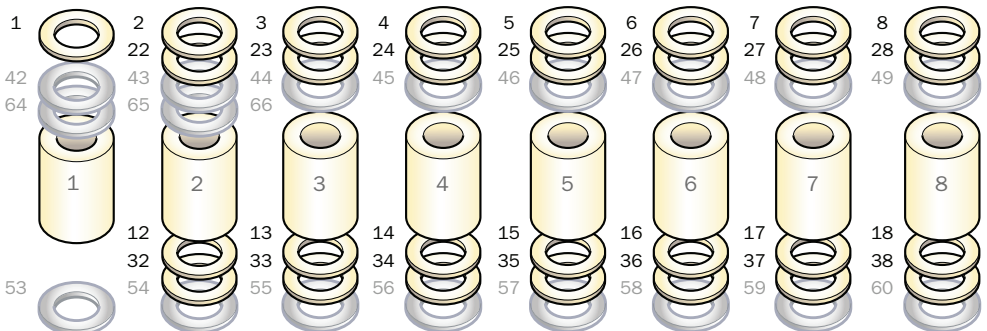


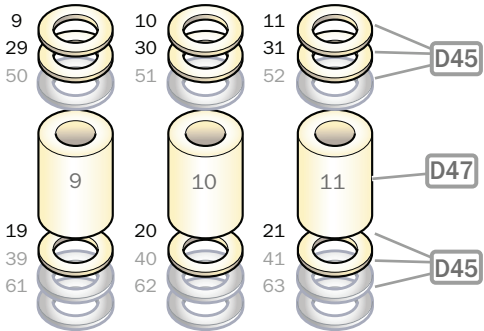
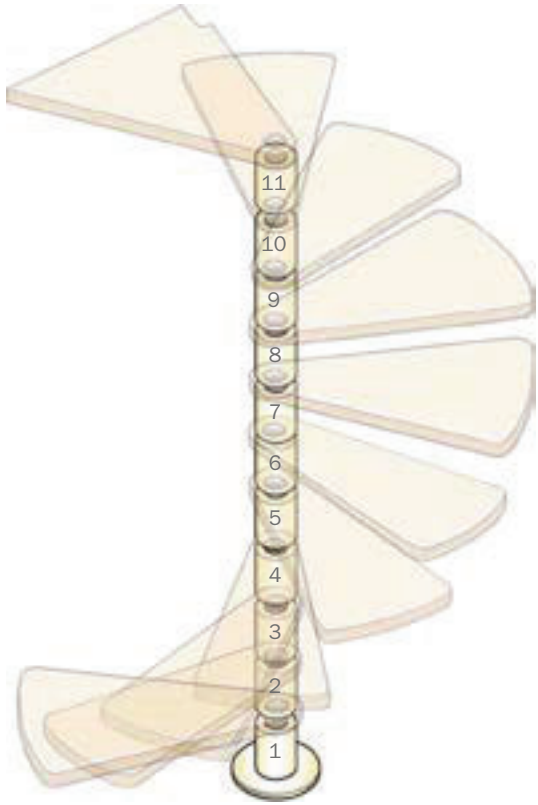
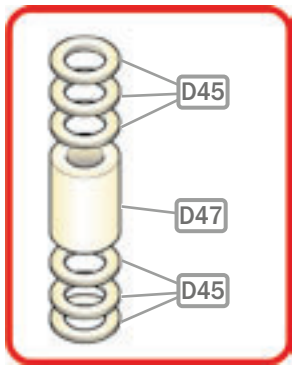
H = 250 cm
 (98 7¹/₁₆")

 D47 = 11

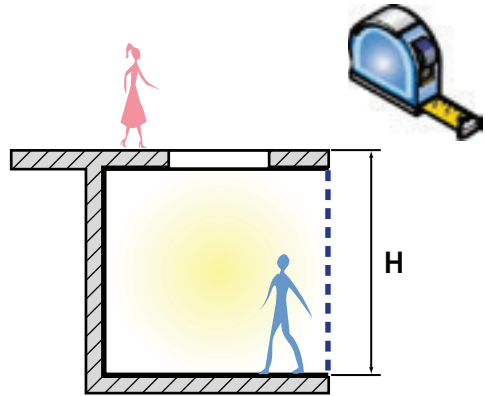
 D45 = 38

Two small illustrations of window components: a yellow cylindrical part (D47) and a yellow ring (D45).





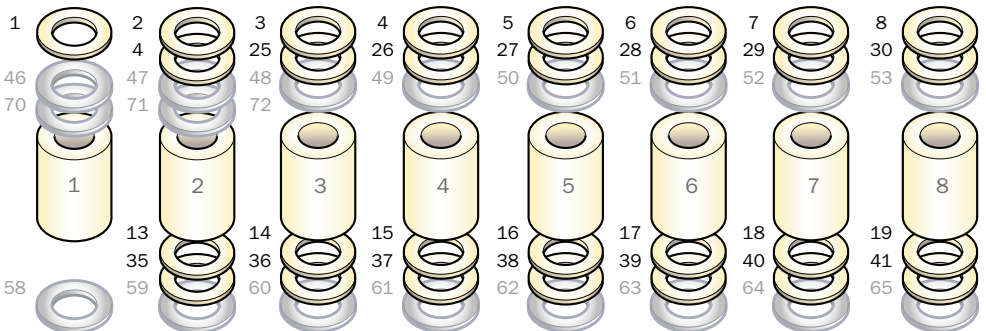
H cm	H inch	D47	D45
252	99 3/16"	12	0
253	99 5/16"	12	2
254	100"	12	4
255	100 3/8"	12	6
256	100 13/16"	12	8
257	101 3/16"	12	10
258	101 9/16"	12	12
259	101 15/16"	12	14
260	102 3/8"	12	16
261	102 3/4"	12	18
262	103 1/8"	12	20
263	103 9/16"	12	22
264	103 15/16"	12	24
265	104 5/16"	12	26
266	104 3/4"	12	28
267	105 1/8"	12	30
268	105 1/2"	12	32
269	105 7/8"	12	34
270	106 3/16"	12	36
271	106 11/16"	12	38
272	107 1/8"	12	40
273	107 1/2"	12	42
274	107 7/8"	12	44
275	108 1/4"	12	46
276	108 11/16"	12	48
277	109 1/16"	12	50
278	109 7/16"	12	52
279	109 13/16"	12	54
280	110 1/8"	12	56
281	110 5/8"	12	58
282	111"	12	60
283	111 7/16"	12	62
284	111 13/16"	12	64
285	112 3/16"	12	66
286	112 5/8"	12	68
287	113"	12	70
288	113 3/8"	12	72

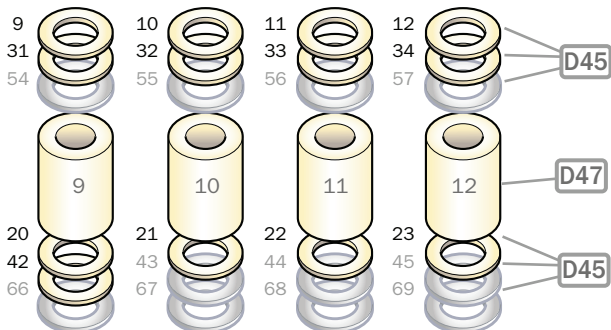
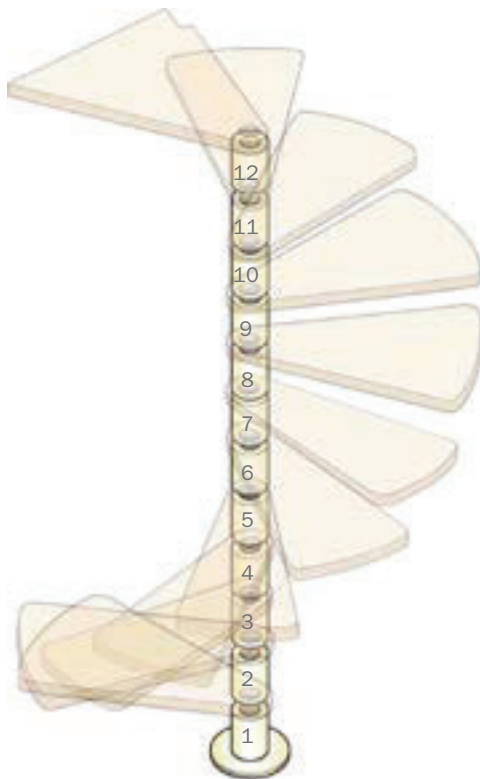
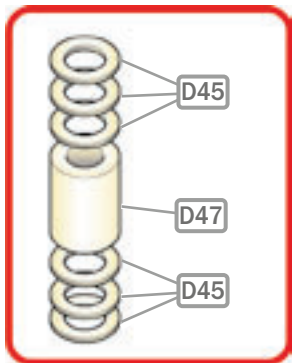


H = 273 cm
(107 1/2")

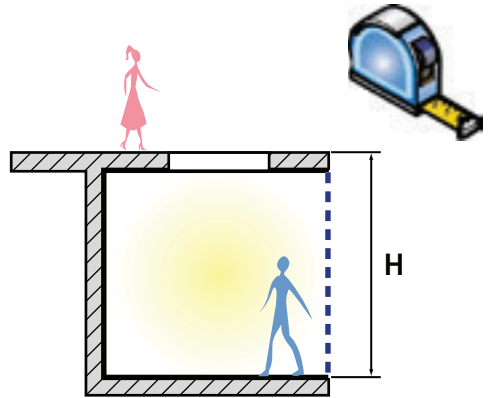
D47 = 12

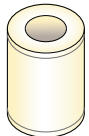
D45 = 42

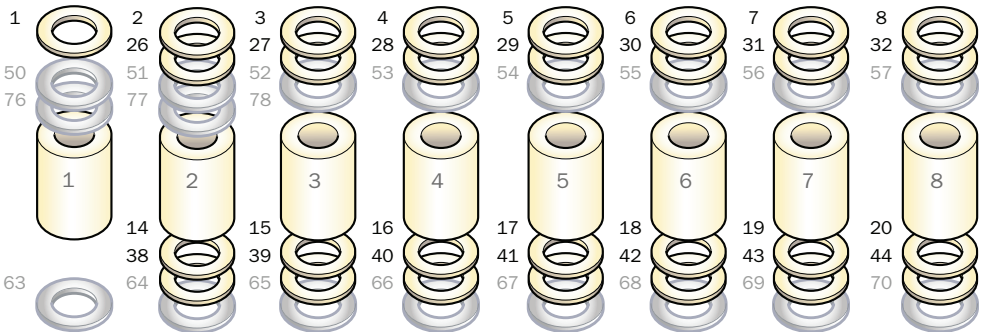


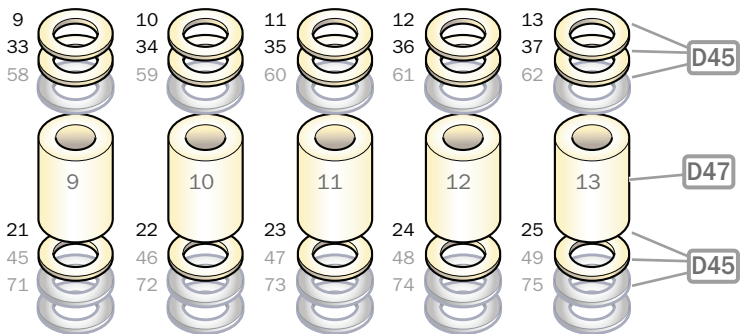
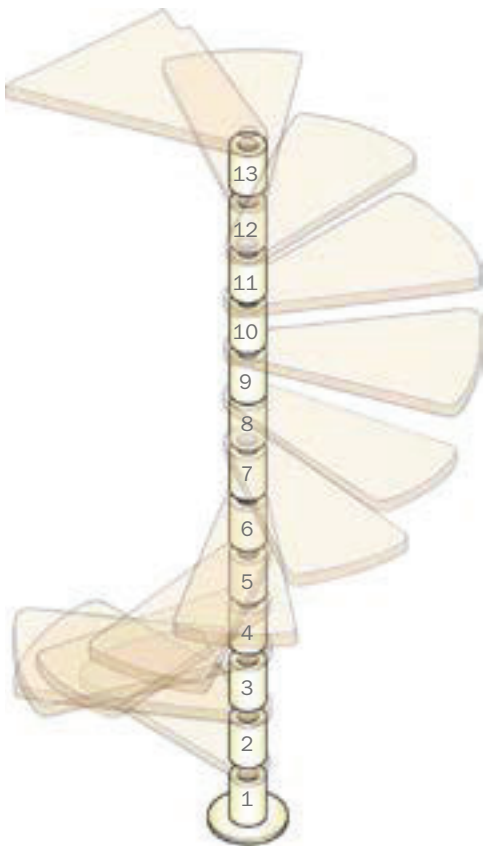
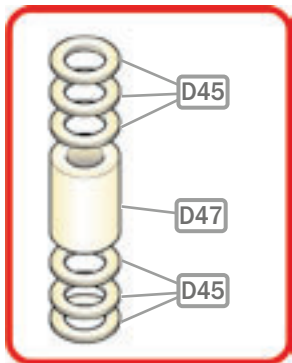


H cm	H inch	D47	D45
273	107 1/2"	13	0
274	107 7/8"	13	2
275	108 1/4"	13	4
276	108 1/2"	13	6
277	109 1/4"	13	8
278	109 7/16"	13	10
279	109 13/16"	13	12
280	110 1/4"	13	14
281	110 5/8"	13	16
282	111"	13	18
283	111 7/16"	13	20
284	111 13/16"	13	22
285	112 3/16"	13	24
286	112 5/8"	13	26
287	113	13	28
288	113 3/8"	13	30
289	113 3/4"	13	32
290	114 3/16"	13	34
291	114 9/16"	13	36
292	114 15/16"	13	38
293	115 3/8"	13	40
294	115 3/4"	13	42
295	116 1/8"	13	44
296	116 9/16"	13	46
297	116 15/16"	13	48
298	117 5/16"	13	50
299	117 11/16"	13	52
300	118 1/8"	13	54
301	118 1/2"	13	56
302	118 7/8"	13	58
303	119 5/16"	13	60
304	119 11/16"	13	62
305	120 1/4"	13	64
306	120 1/2"	13	66
307	120 7/8"	13	68
308	121 1/4"	13	70
309	121 5/8"	13	72
310	122 1/16"	13	74
311	122 7/16"	13	76
312	122 13/16"	13	78

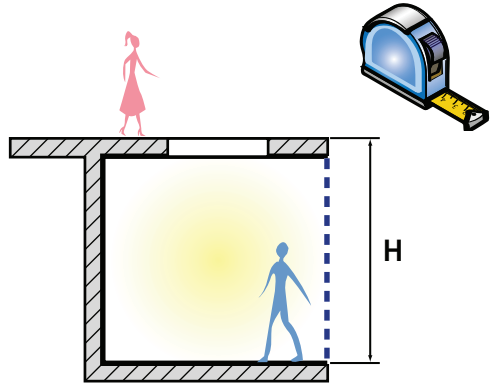


D47 = 13 
H = 273 cm (116 1/8")
D45 = 44 





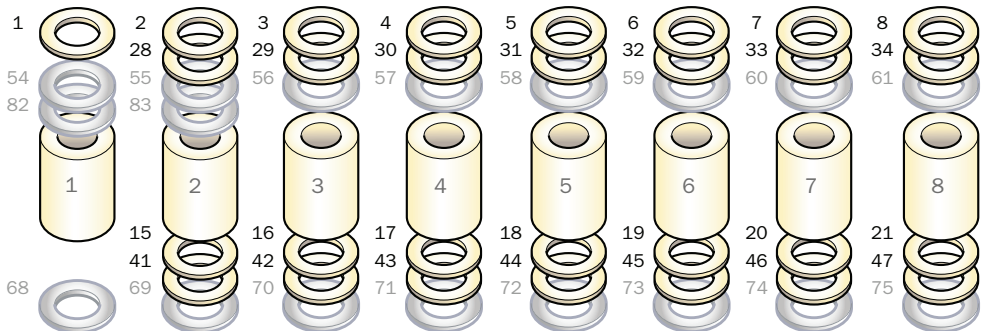
H cm	H inch	D47	D45
294	115 3/4"	14	1
295	116 1/8"	14	3
296	116 3/16"	14	5
297	116 1/2"	14	7
298	117 1/16"	14	9
299	117 1/8"	14	11
300	118 1/8"	14	13
301	118 1/2"	14	15
302	118 3/8"	14	17
303	119 1/16"	14	19
304	119 1/4"	14	21
305	120 1/16"	14	23
306	120 1/2"	14	25
307	120 3/8"	14	27
308	121 1/4"	14	29
309	121 5/8"	14	31
310	122 1/16"	14	33
311	122 1/8"	14	35
312	122 3/16"	14	37
313	123 1/4"	14	39
314	123 3/8"	14	41
315	124"	14	43
316	124 1/16"	14	45
317	124 1/8"	14	47
318	125 1/16"	14	49
319	125 3/16"	14	51
320	126"	14	53
321	126 3/8"	14	55
322	126 3/4"	14	57
323	127 1/16"	14	59
324	127 1/8"	14	61
325	127 3/16"	14	63
326	128 3/8"	14	65
327	128 3/4"	14	67
328	129 1/8"	14	69
329	129 1/2"	14	71
330	129 15/16"	14	73
331	130 5/16"	14	75
332	130 11/16"	14	77
333	131 1/8"	14	79
334	131 1/2"	14	81
335	131 3/8"	14	83

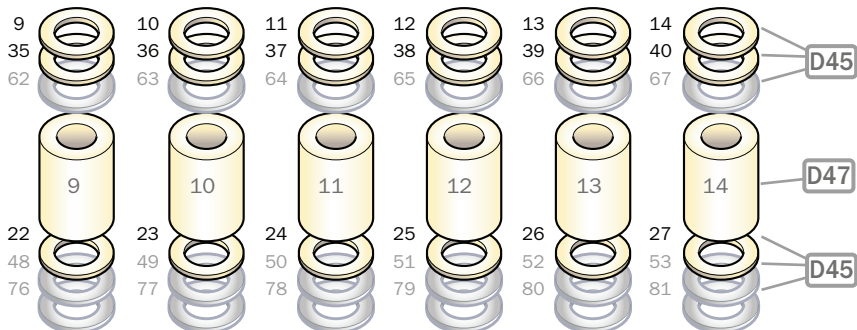
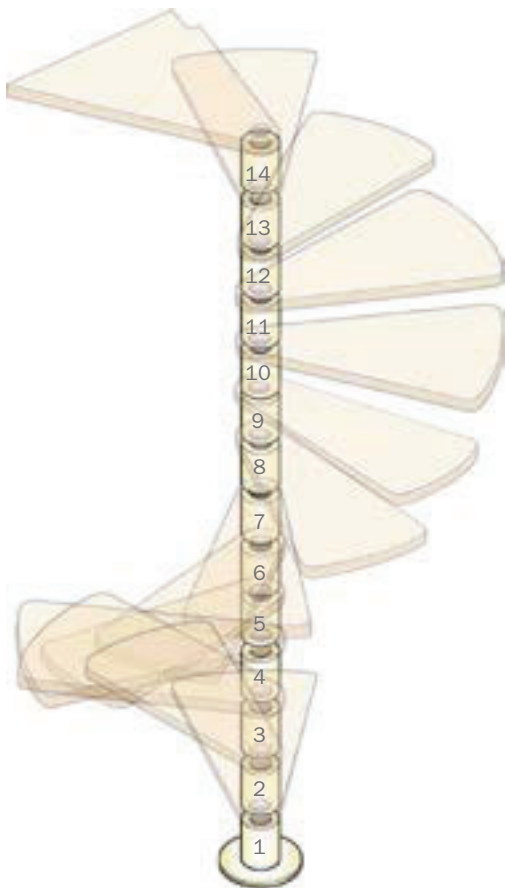
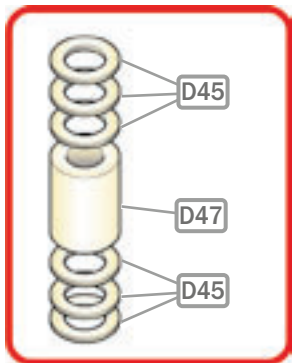


H = 317 cm
(124 13/16")

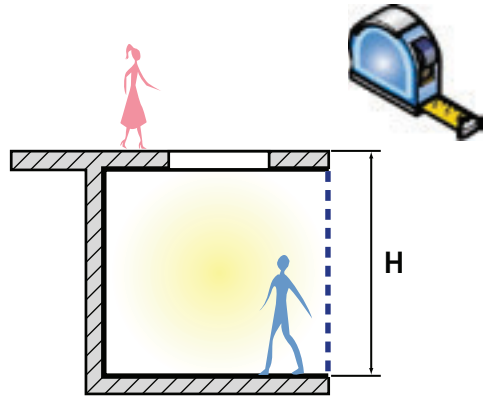
D47 = 14

D45 = 47





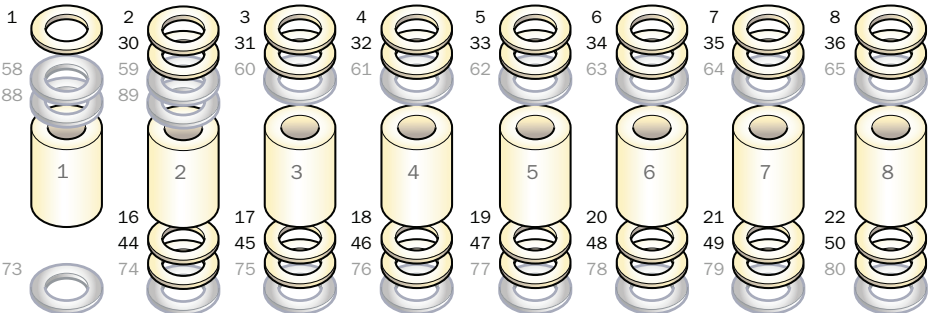
H cm	H inch	D47	D45
315	124"	15	1
316	124 7/16"	15	3
317	124 13/16"	15	5
318	125 3/16"	15	7
319	125 9/16"	15	9
320	126"	15	11
321	126 3/8"	15	13
322	126 3/4"	15	15
323	127 3/16"	15	17
324	127 9/16"	15	19
325	127 15/16"	15	21
326	128 3/8"	15	23
327	128 3/4"	15	25
328	129 1/8"	15	27
329	129 1/2"	15	29
330	129 13/16"	15	31
331	130 3/16"	15	33
332	130 13/16"	15	35
333	131 1/8"	15	37
334	131 1/2"	15	39
335	131 7/8"	15	41
336	132 3/16"	15	43
337	132 13/16"	15	45
338	133 1/16"	15	47
339	133 7/16"	15	49
340	133 7/8"	15	51
341	134 1/4"	15	53
342	134 3/8"	15	55
343	135 1/16"	15	57
344	135 7/16"	15	59
345	135 13/16"	15	61
346	136 1/4"	15	63
347	136 3/8"	15	65
348	137"	15	67
349	137 3/8"	15	69
350	137 13/16"	15	71
351	138 3/16"	15	73
352	138 9/16"	15	75
353	139"	15	77
354	139 3/8"	15	79
355	139 3/4"	15	81
356	140 3/16"	15	83
357	140 9/16"	15	85
358	140 15/16"	15	87
359	141 3/16"	15	89

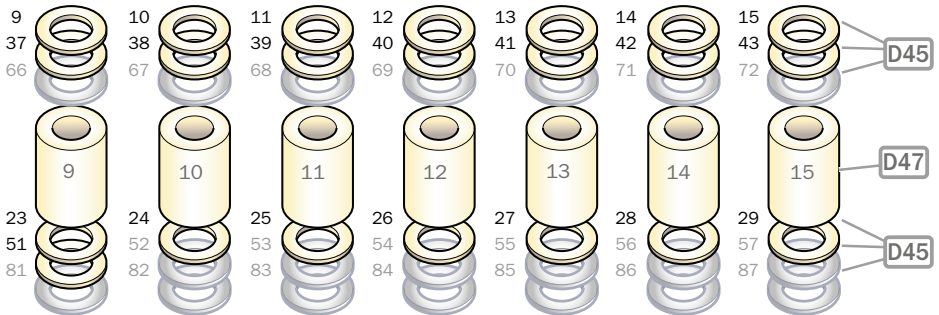
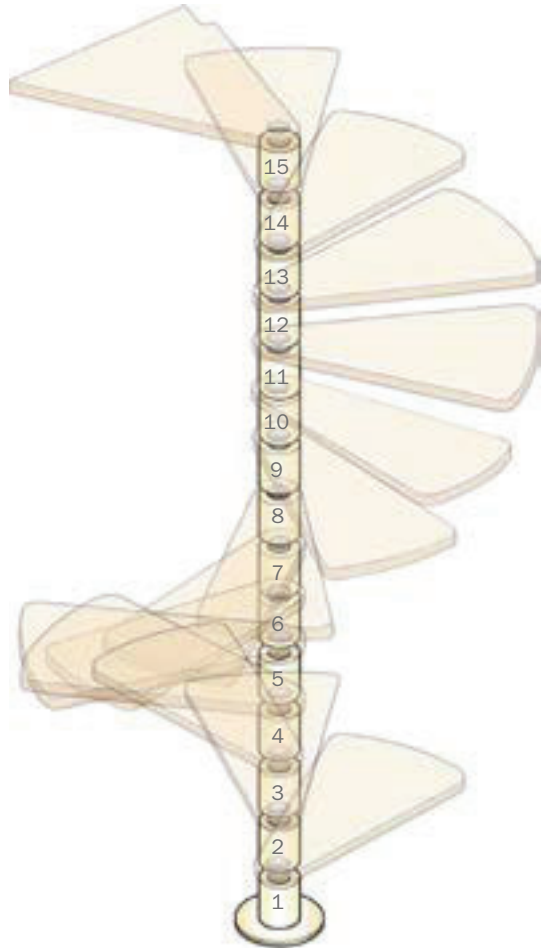
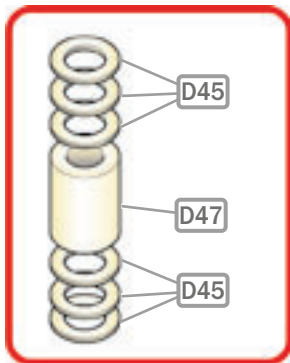


**H = 340 cm
(133 7/8")**

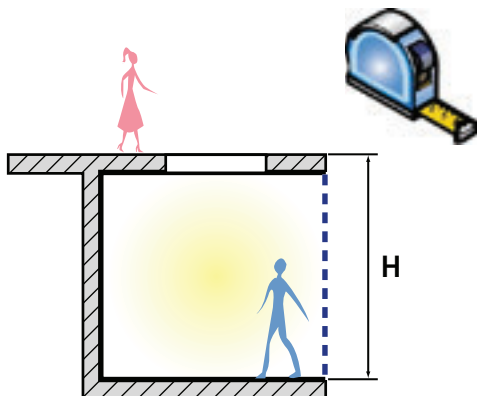
D47 = 15

D45 = 51



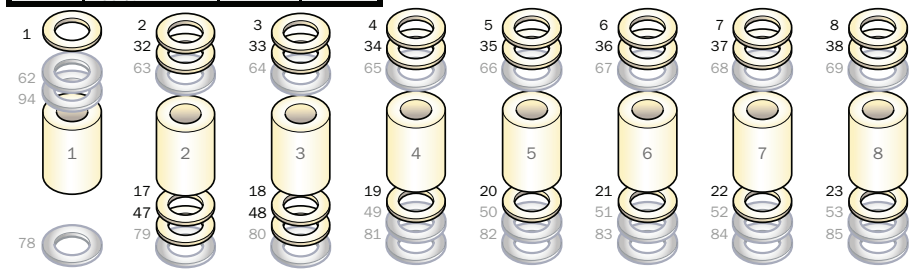


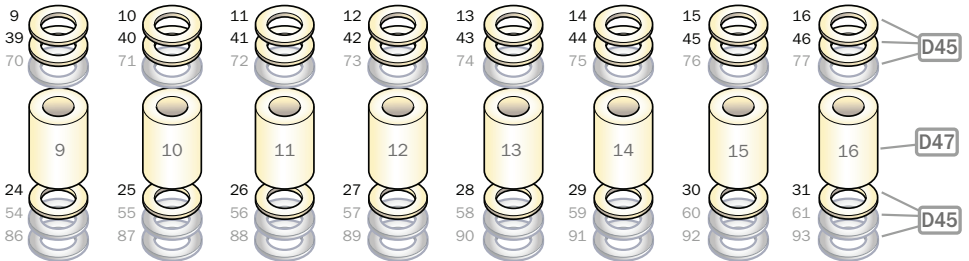
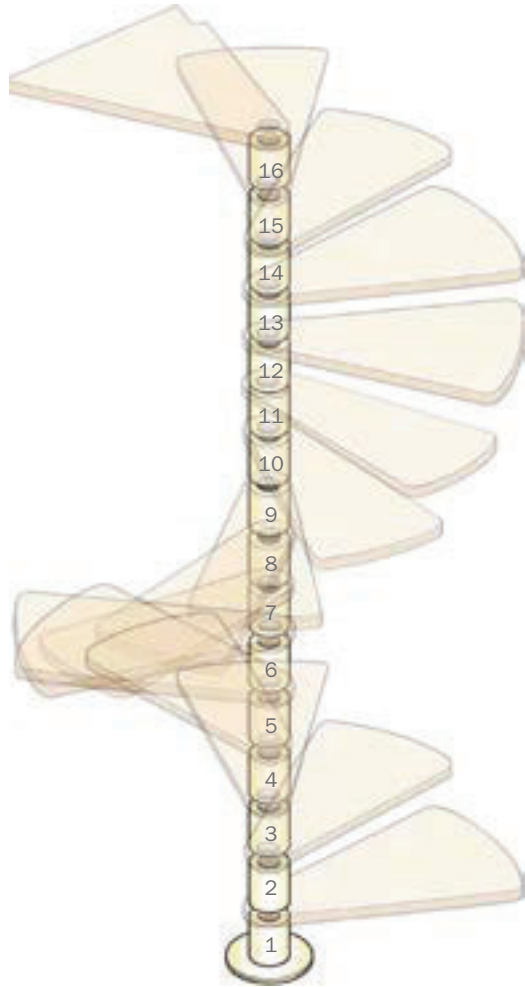
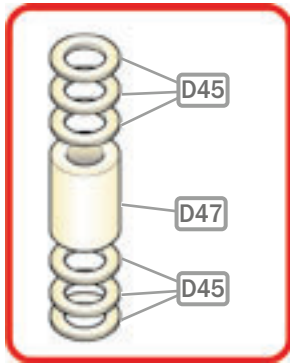
H cm	H inch	D47	D45
334	131 1/2"	16	0
335	131 7/8"	16	2
336	132 5/16"	16	4
337	132 1 1/16"	16	6
338	133 1/16"	16	8
339	133 7/16"	16	10
340	133 3/8"	16	12
341	134 1/4"	16	14
342	134 5/8"	16	16
343	135 1/16"	16	18
344	135 7/16"	16	20
345	135 3/8"	16	22
346	136 1/4"	16	24
347	136 5/8"	16	26
348	137"	16	28
349	137 3/8"	16	30
350	137 7/16"	16	32
351	138 1/16"	16	34
352	138 3/8"	16	36
353	139"	16	38
354	139 3/8"	16	40
355	139 3/4"	16	42
356	140 3/16"	16	44
357	140 3/8"	16	46
358	140 15/16"	16	48
359	141 5/16"	16	50
360	141 3/4"	16	52
361	142 1/8"	16	54
362	142 1/2"	16	56
363	142 15/16"	16	58
364	143 3/16"	16	60
365	143 1/4"	16	62
366	144 1/8"	16	64
367	144 1/2"	16	66
368	144 7/8"	16	68
369	145 1/4"	16	70
370	145 11/16"	16	72
371	146 1/16"	16	74
372	146 7/16"	16	76
373	146 3/8"	16	78
374	147 1/4"	16	80
375	147 3/8"	16	82
376	148 1/16"	16	84
377	148 7/16"	16	86
378	148 13/16"	16	88
379	149 3/16"	16	90
380	149 5/8"	16	92
381	150"	16	94
382	150 3/8"	16	96

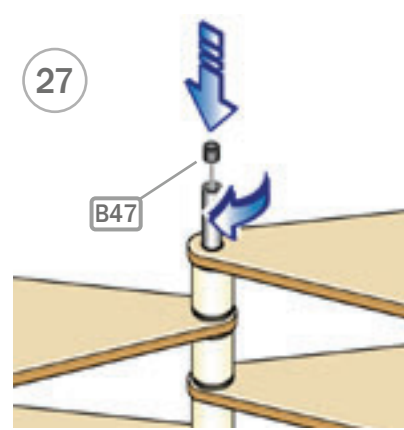
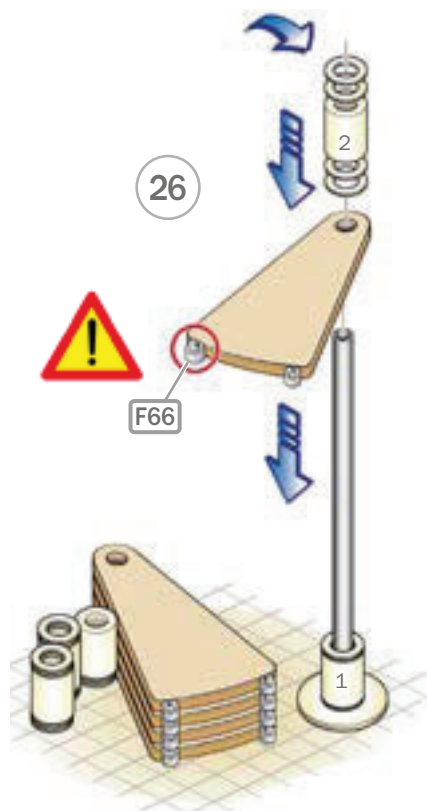
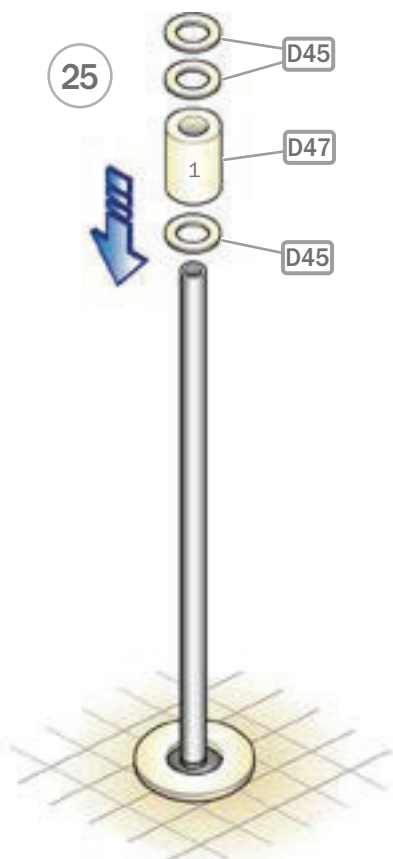


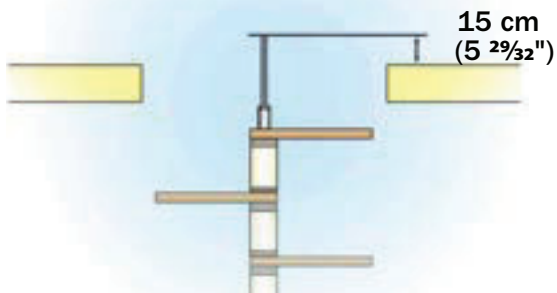
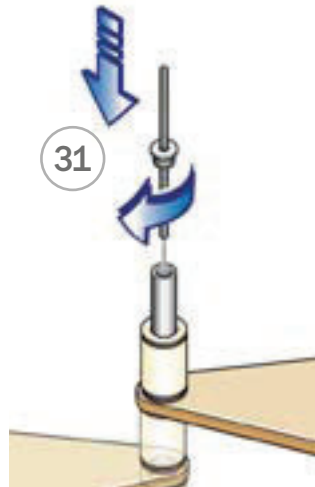
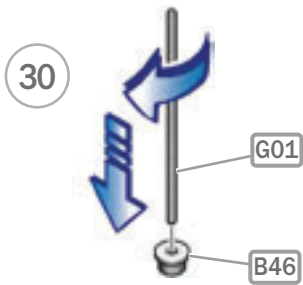
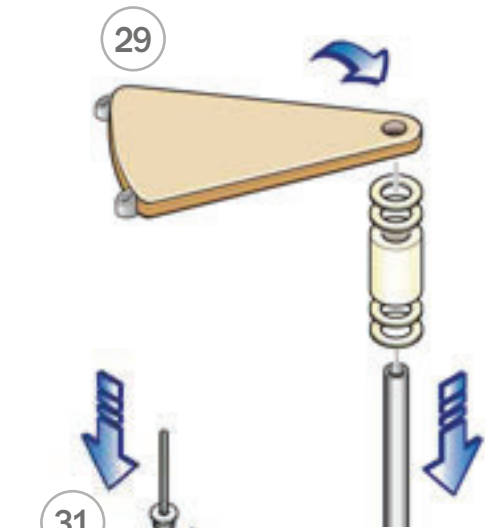
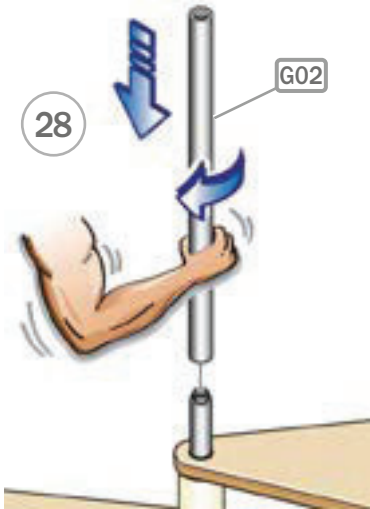
D47 = 16
H = 358 cm
(140 15/16")
D45 = 48

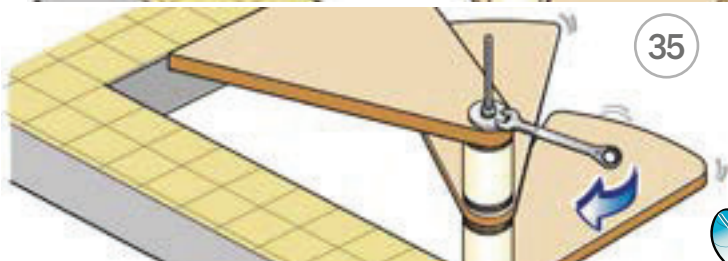
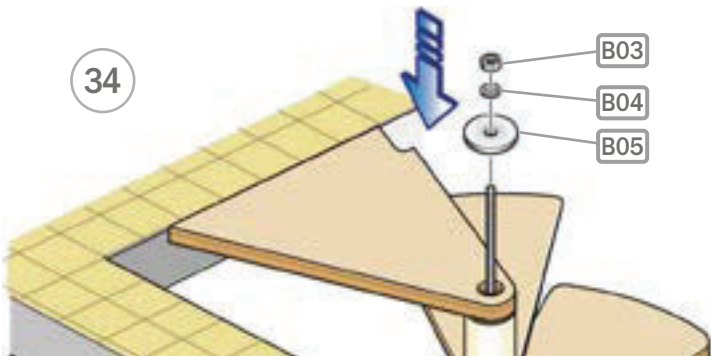
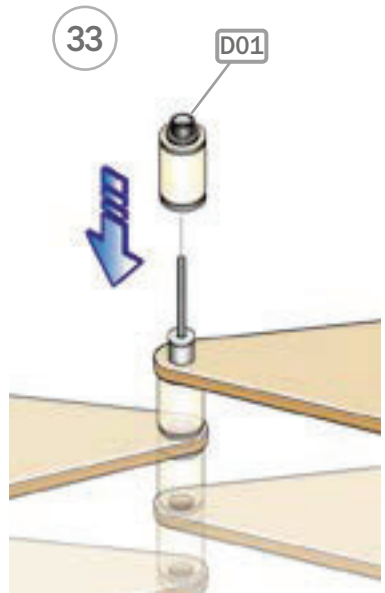
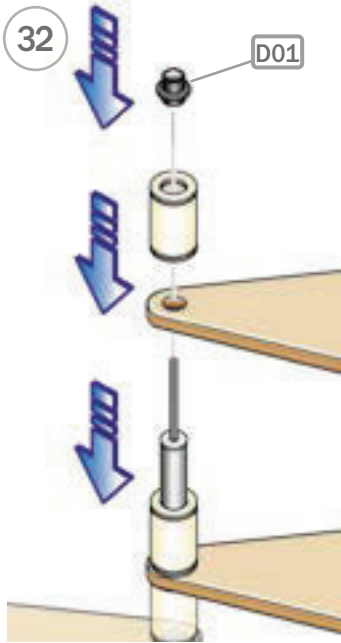
Two small illustrations of the components: a yellow cylindrical cap (D47) and a yellow cylindrical base (D45).

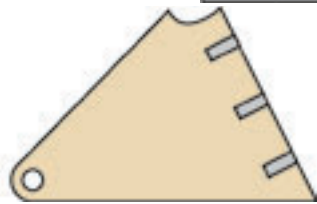
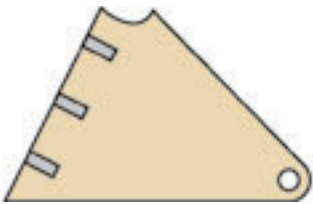
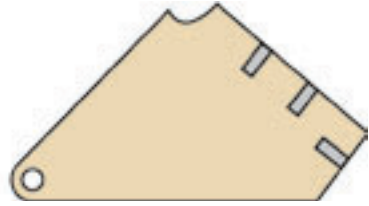
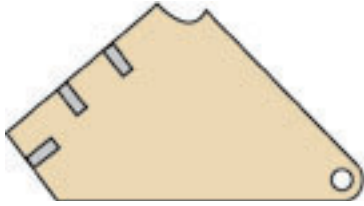


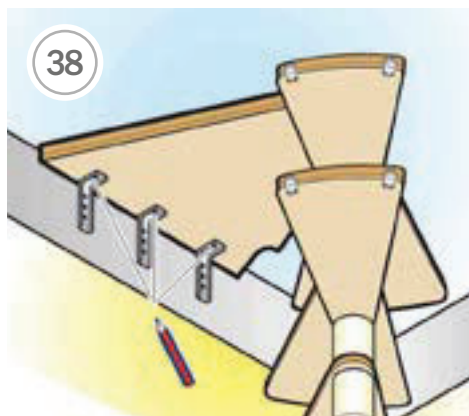
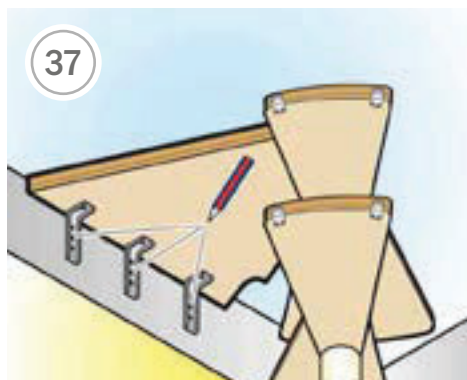
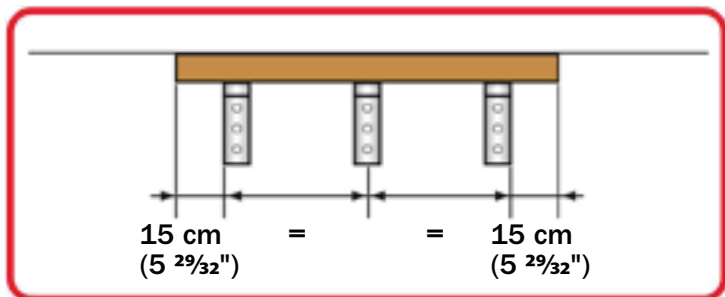
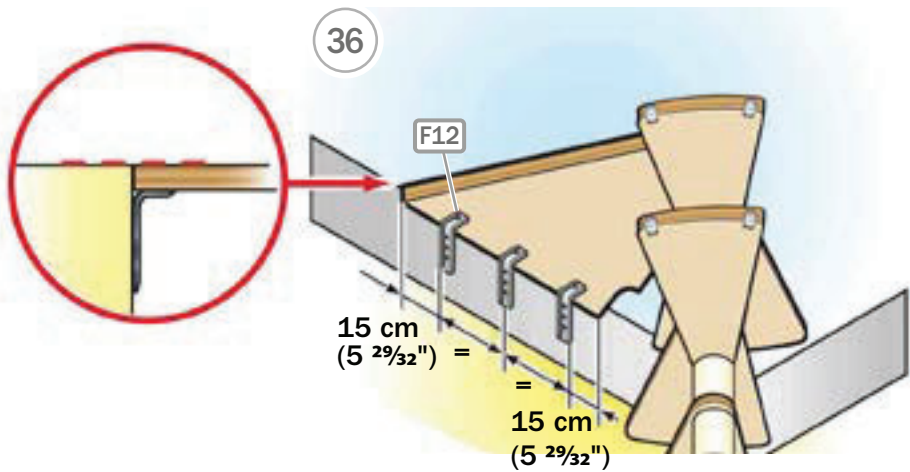


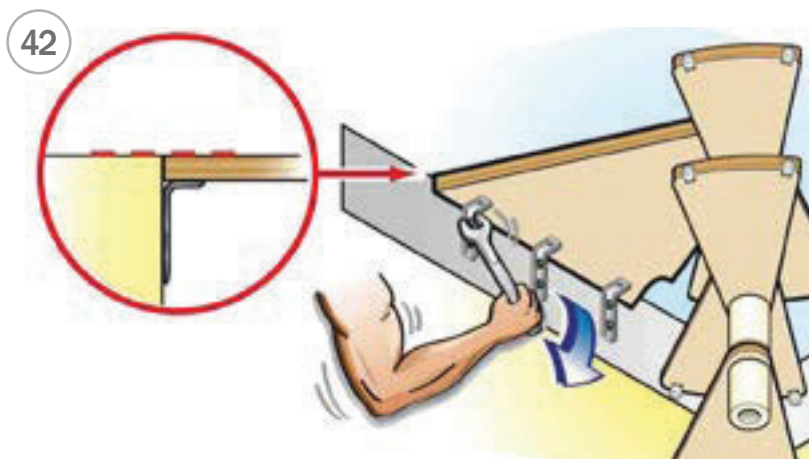
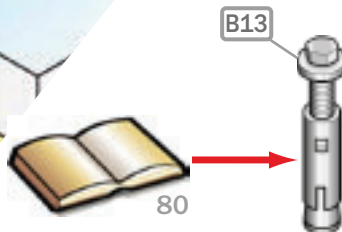
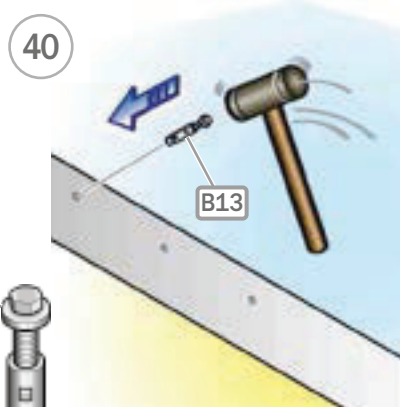
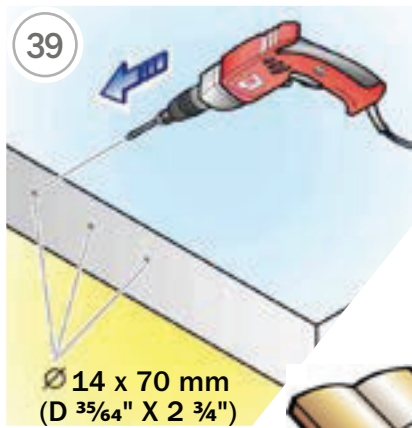






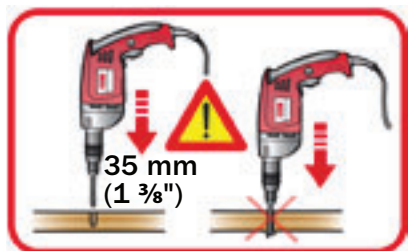
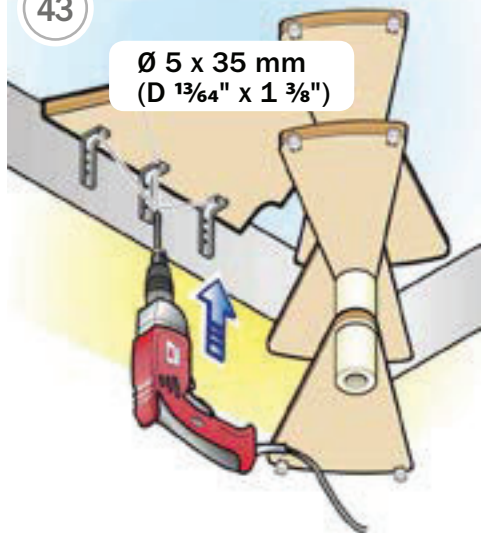




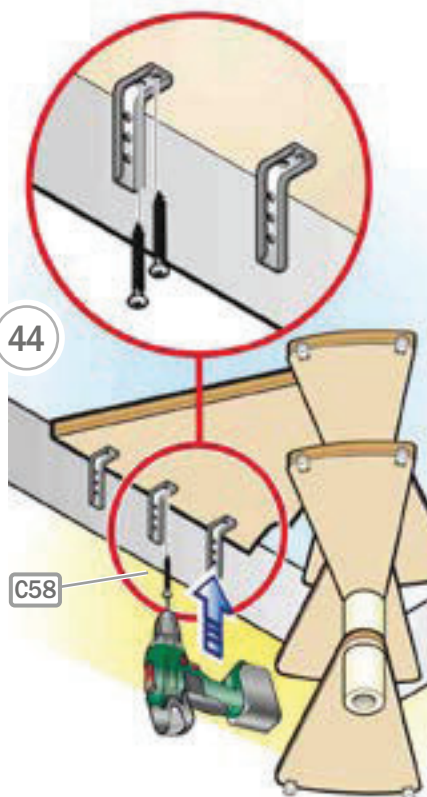


43

Ø 5 x 35 mm
(D 13/64" x 1 3/8")

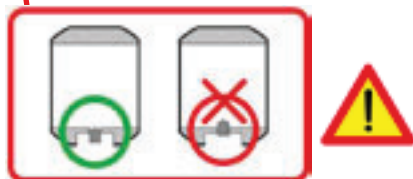
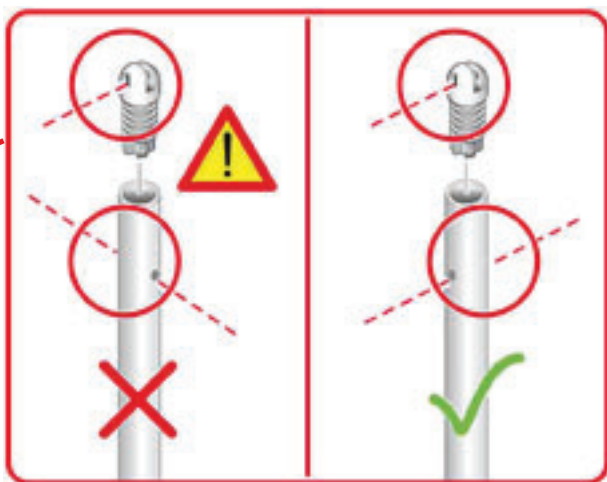
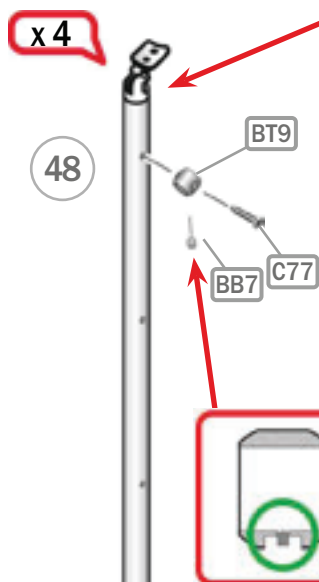
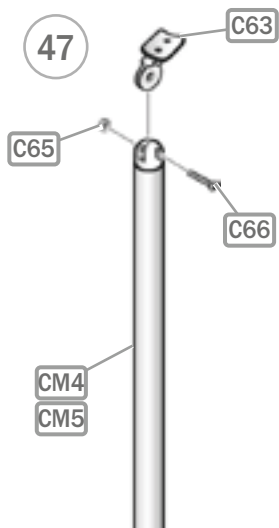
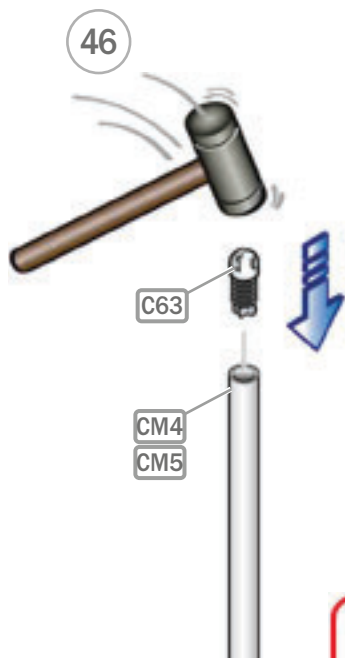


44

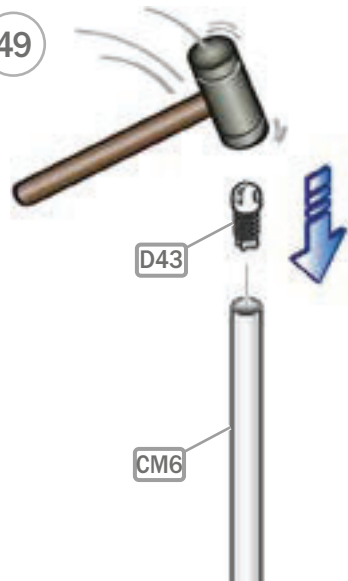


45

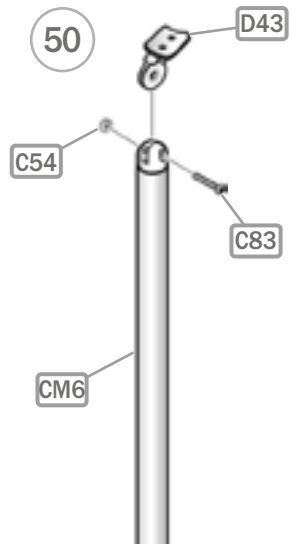




49

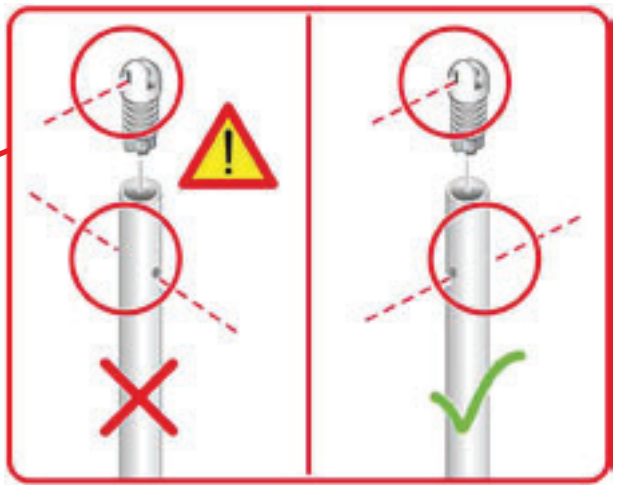
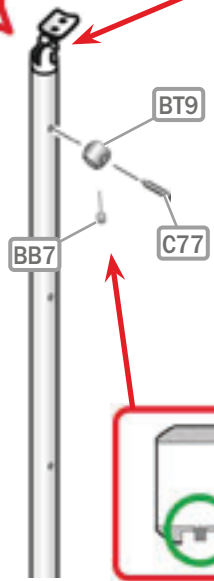


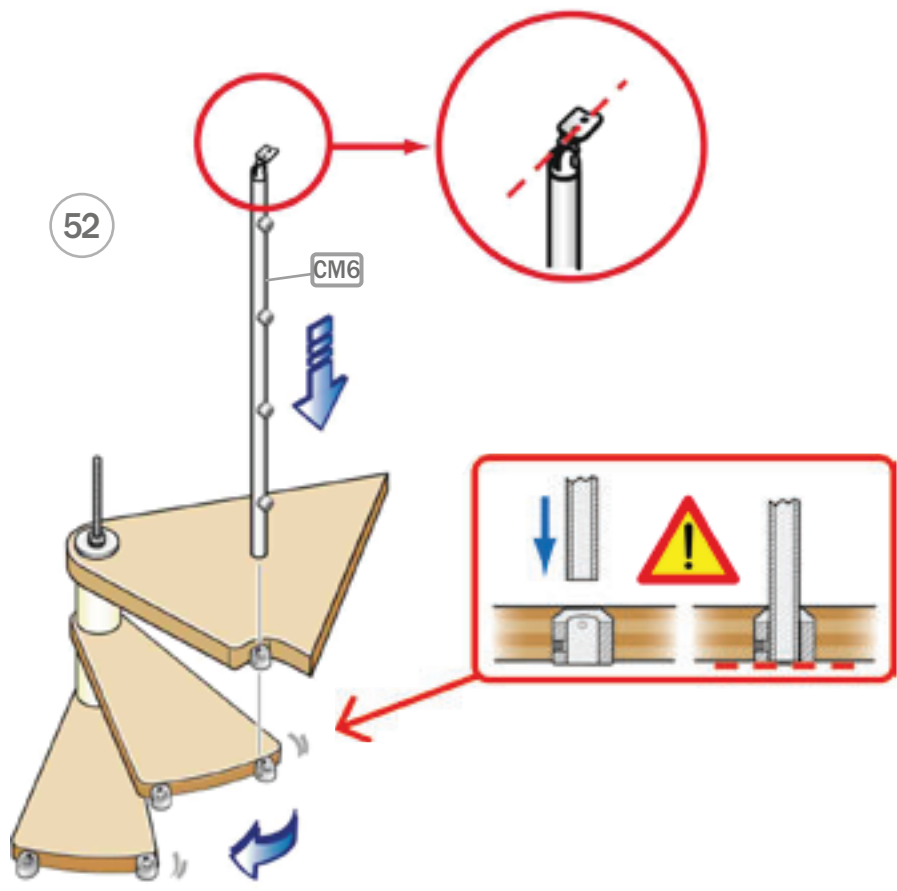
50



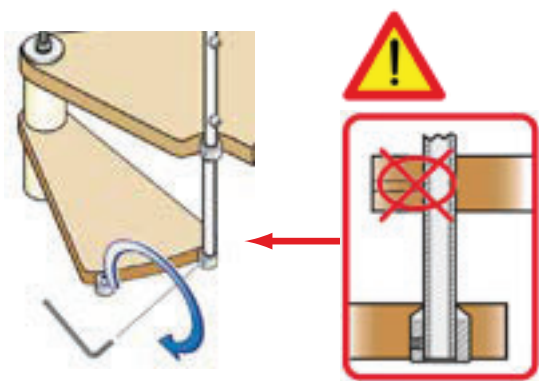
x 4

51

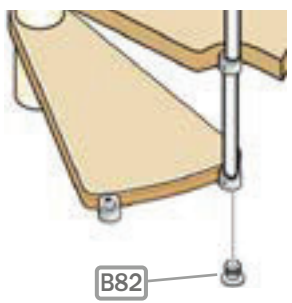




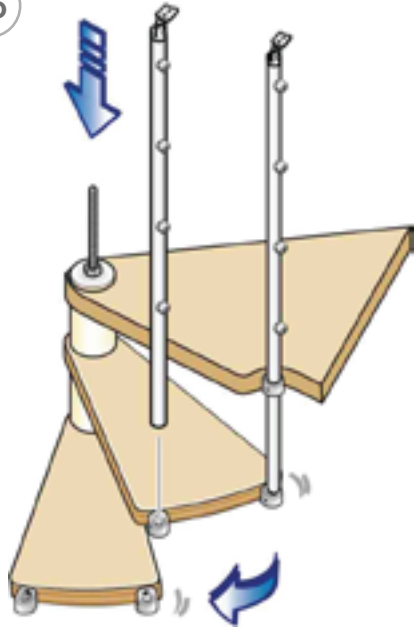
53



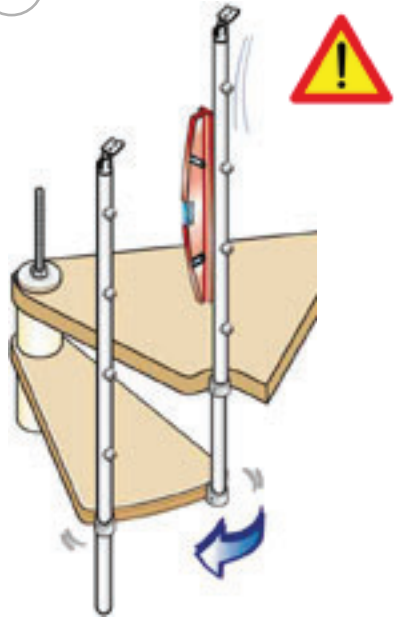
54



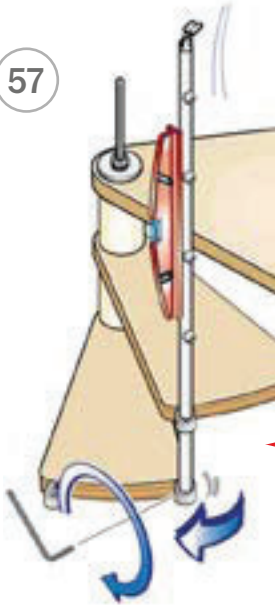
55



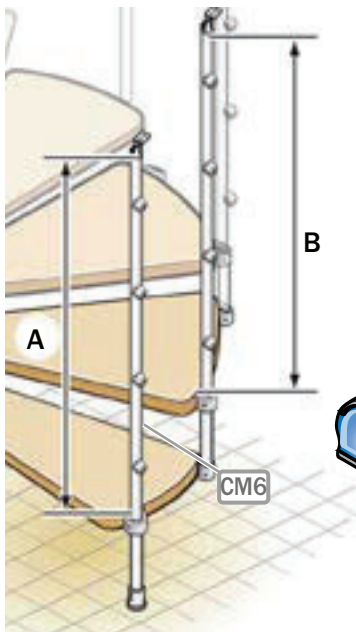
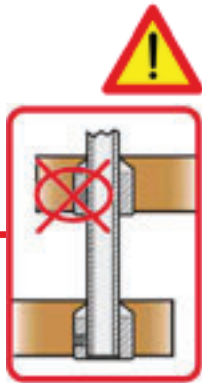
56



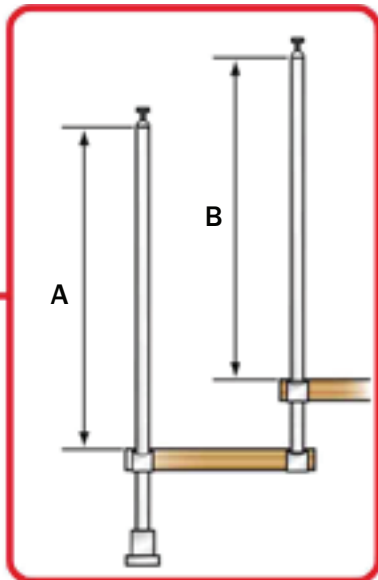
57



58

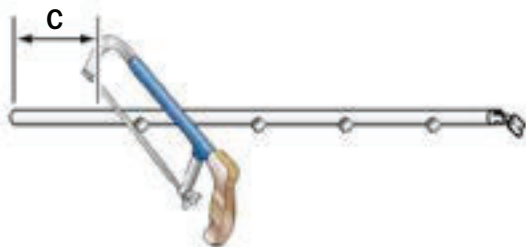


59

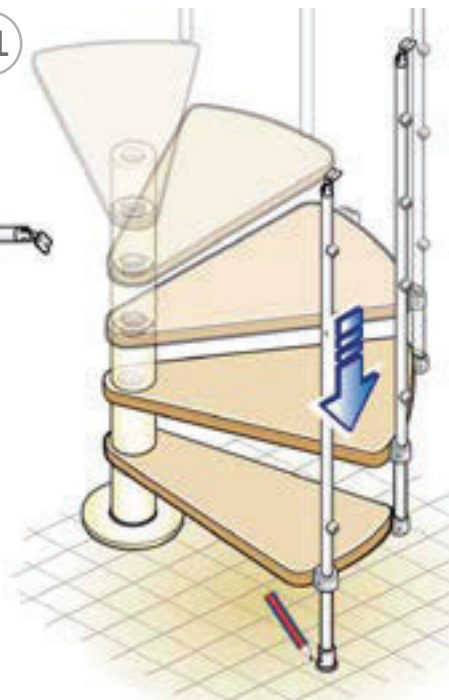


60

$C = A - B$



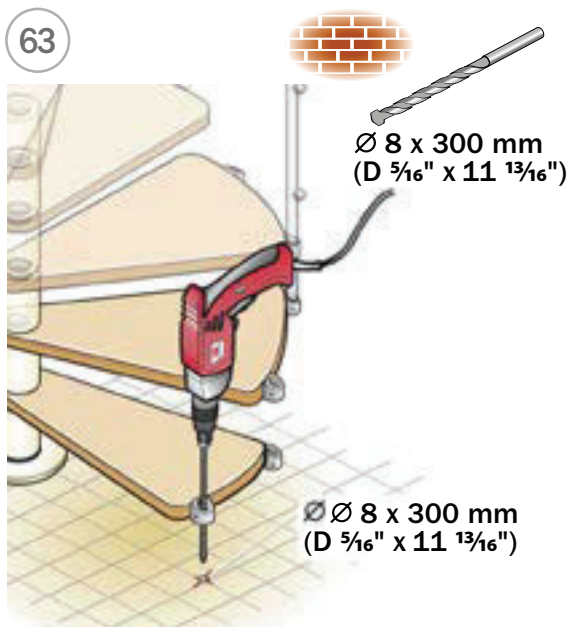
61



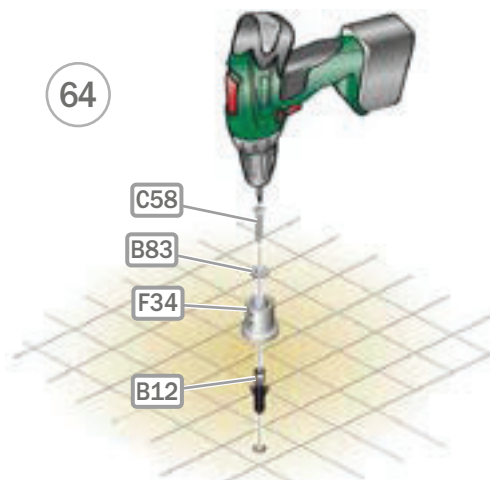
62



63



64



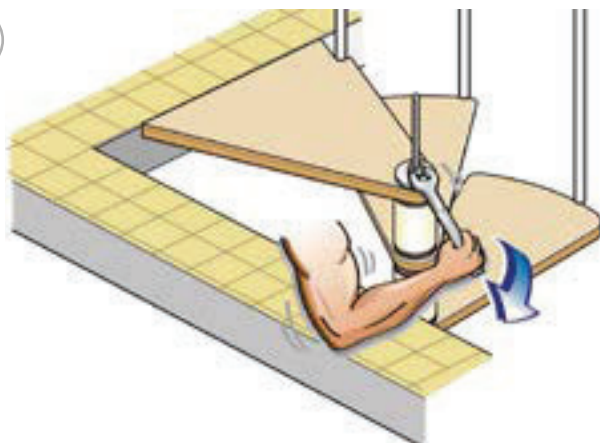
65

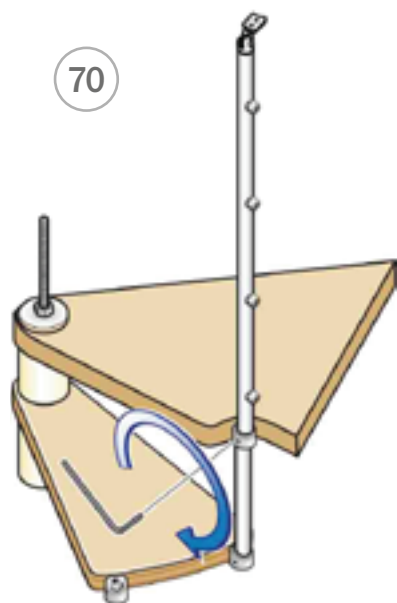
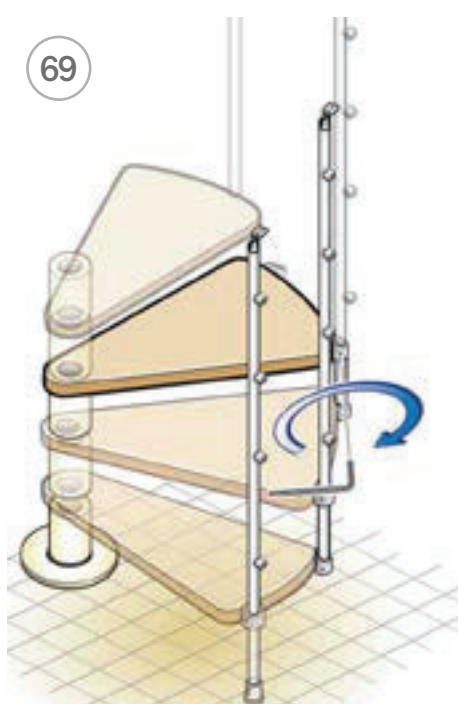


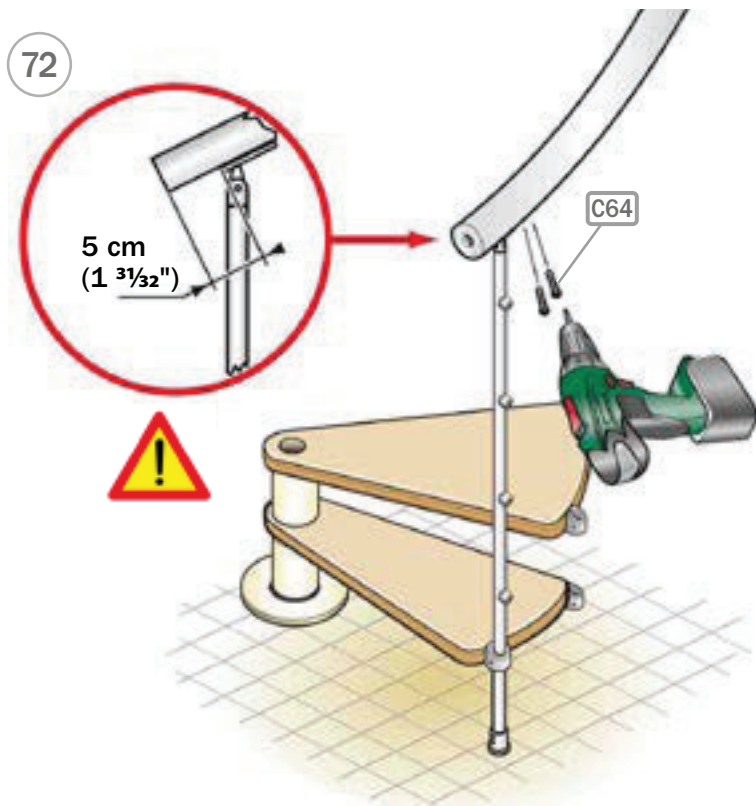
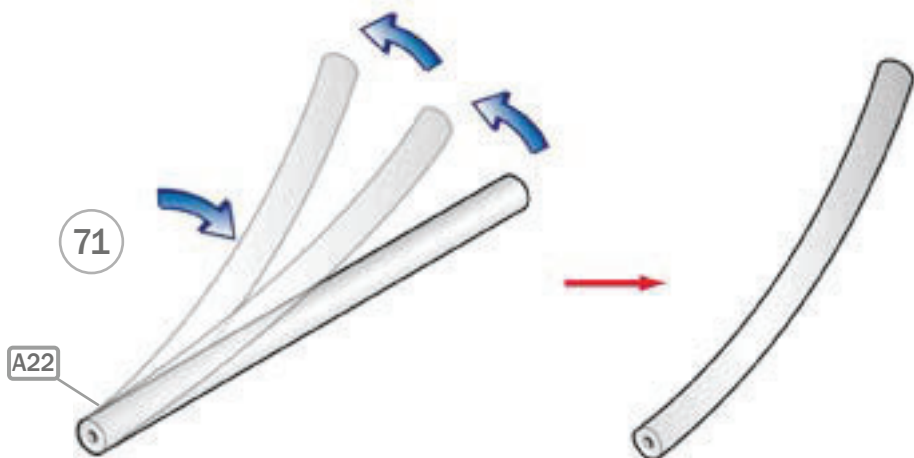
66

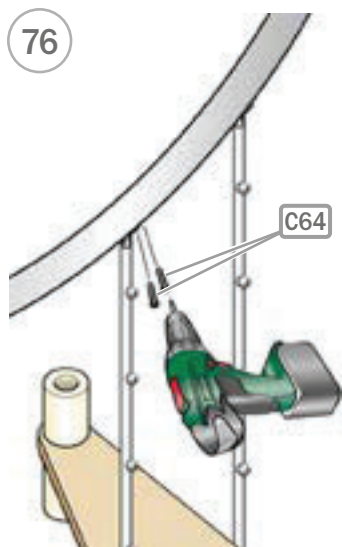
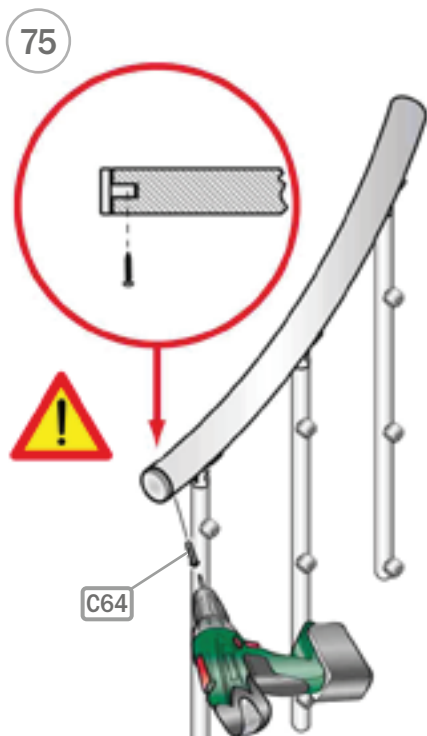
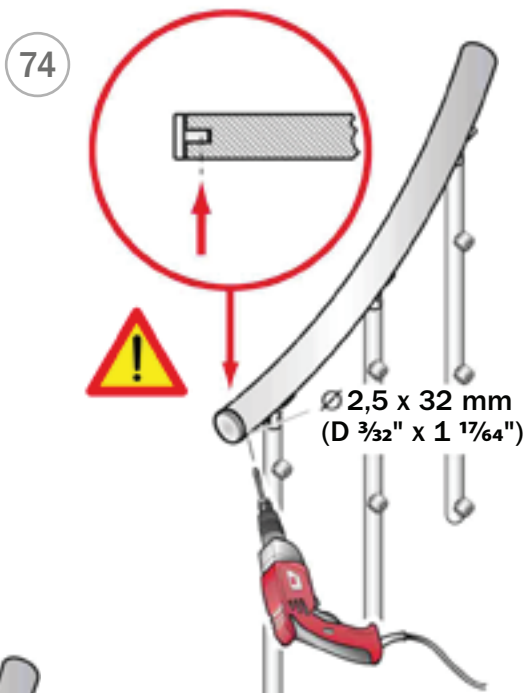
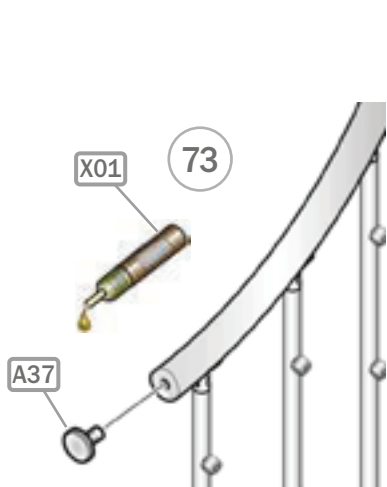


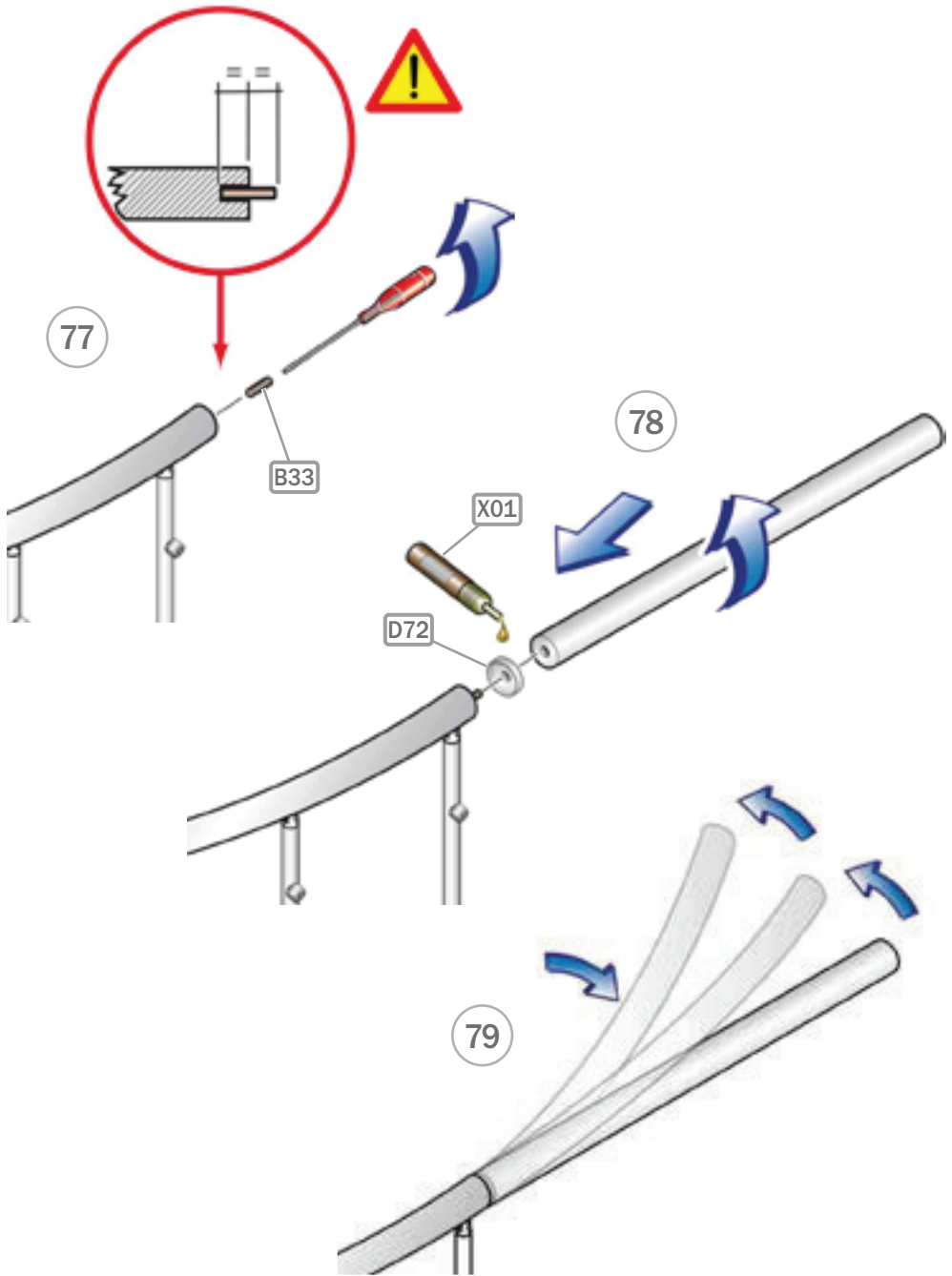
67



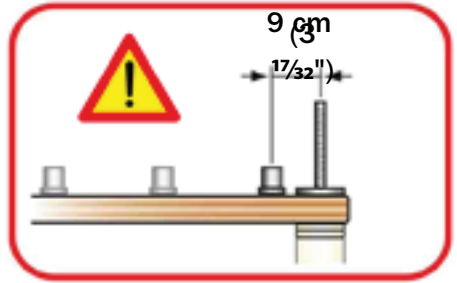
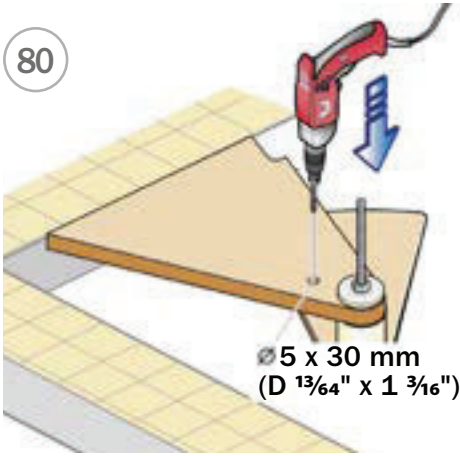






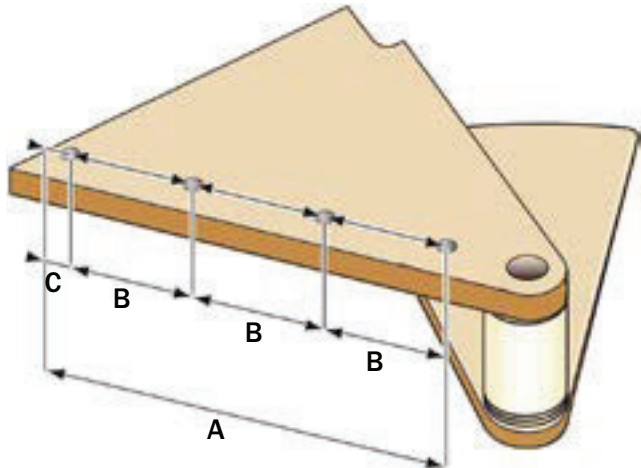


80

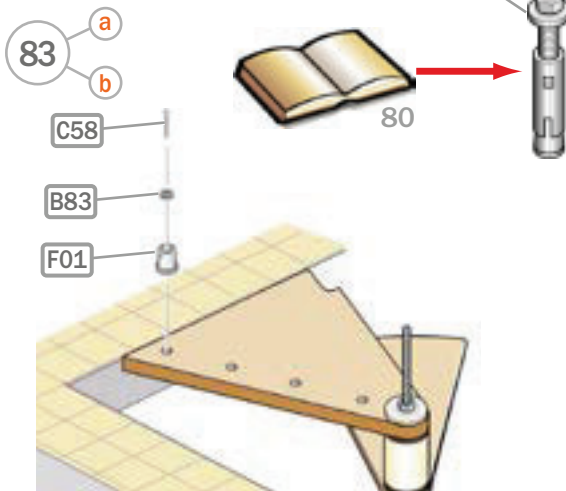
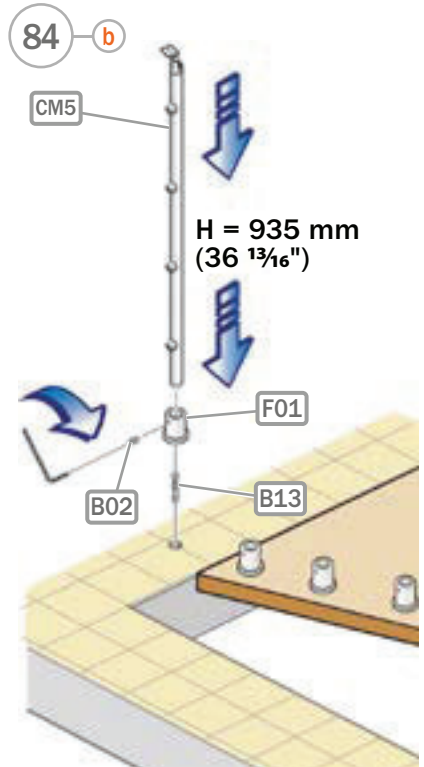
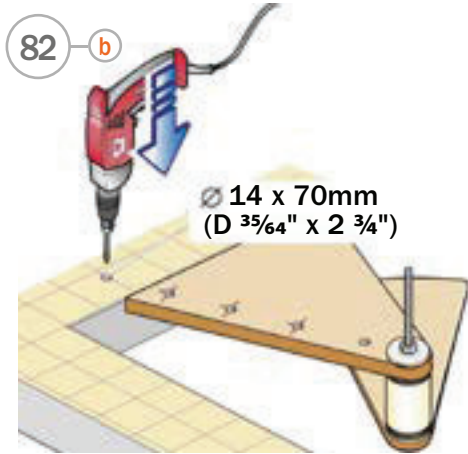
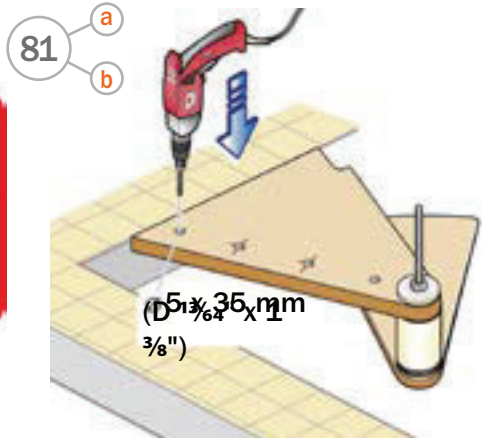
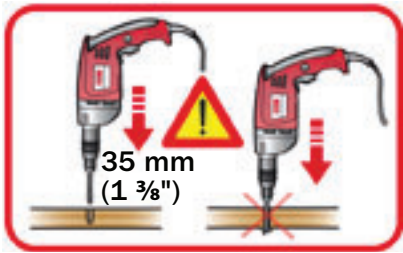


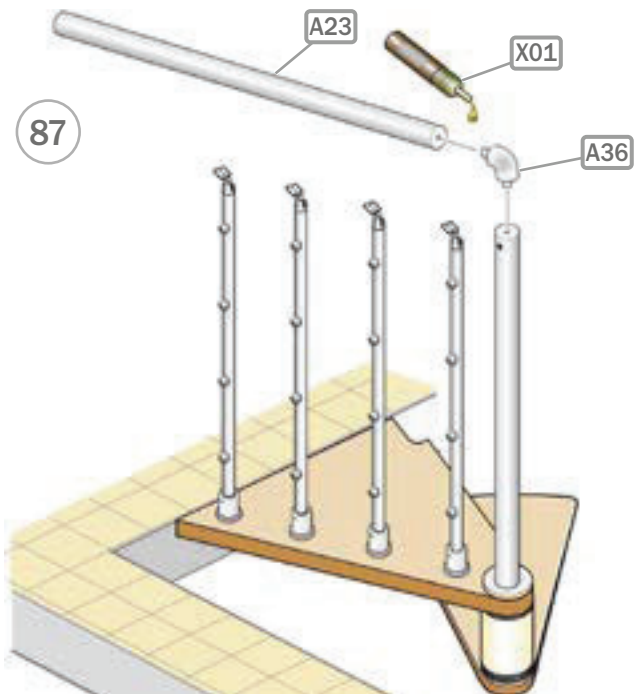
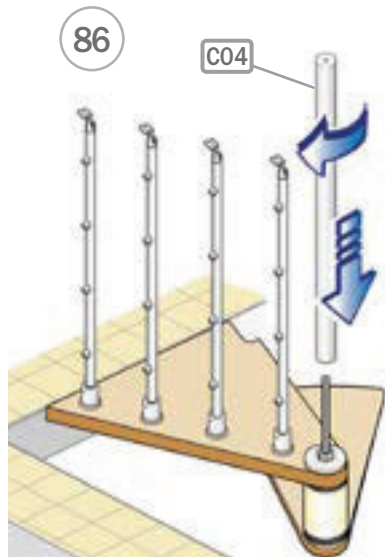
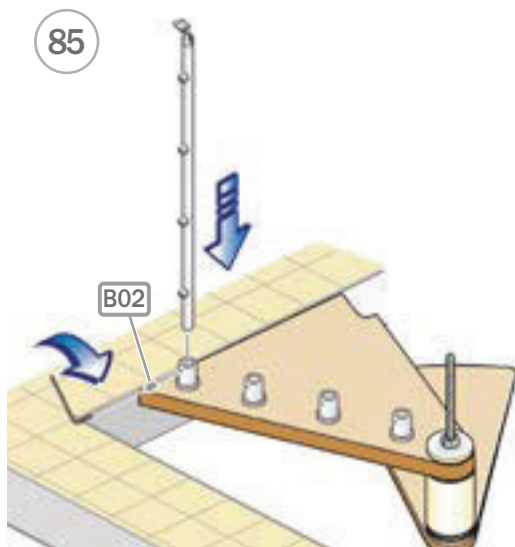
A = 75 cm (29 1/2")
 B = 23 cm (9 1/16")
 C = 6 cm (2 3/8")

EXAMPLE



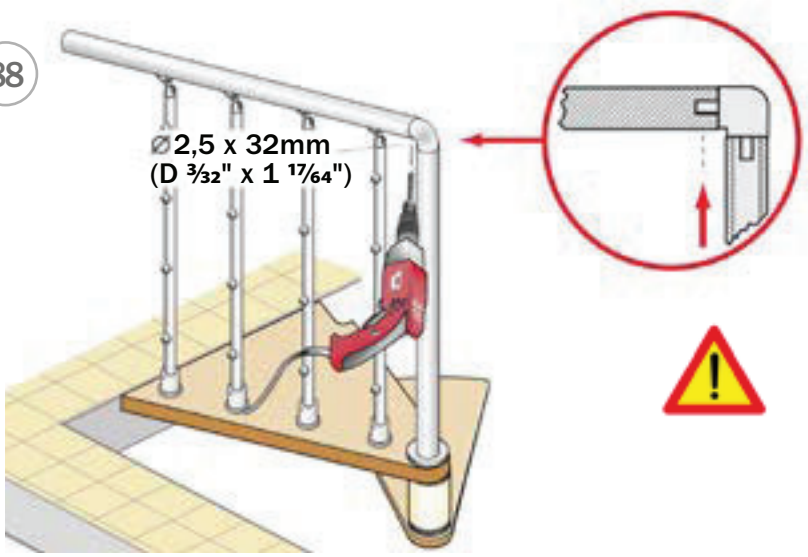
75 cm - 6 cm = 69 cm
 (29 1/2" - 2 3/8" = 27 3/16")
 69 cm : 3 = 23 cm
 (27 3/16" : 3 = 9 1/16")



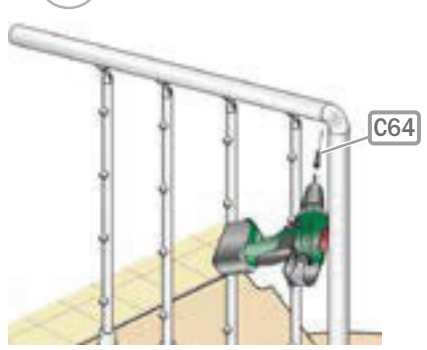


88

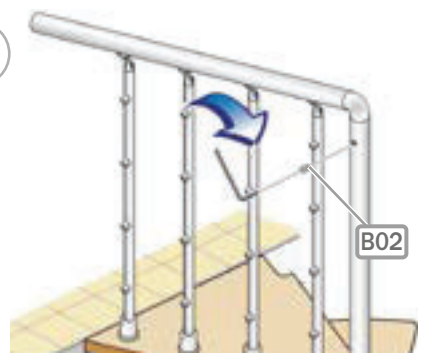
Ø 2,5 x 32mm
(D 3/32" x 1 17/64")



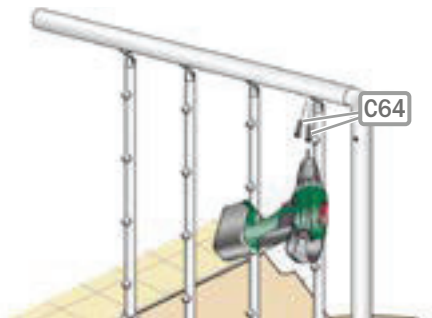
89

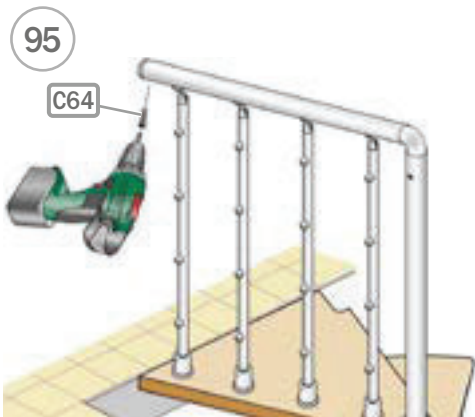
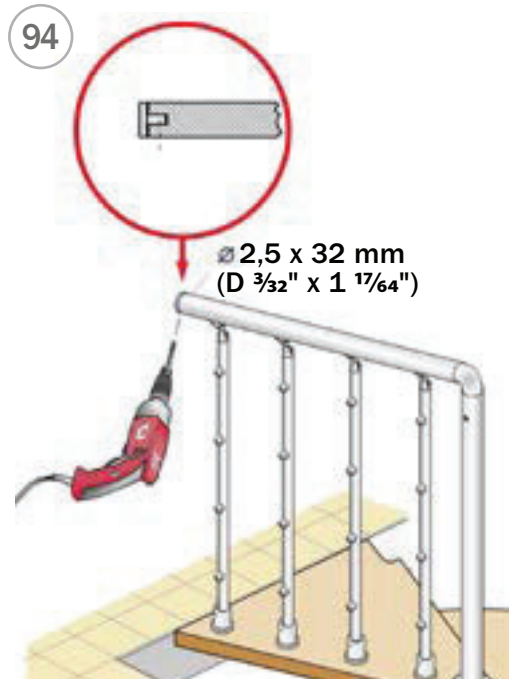
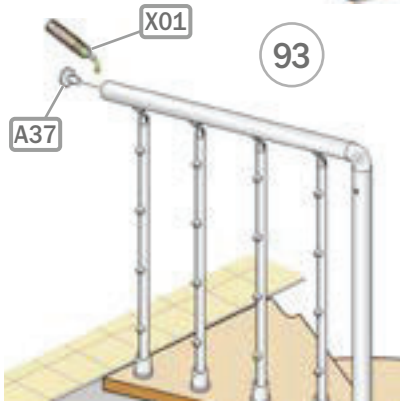
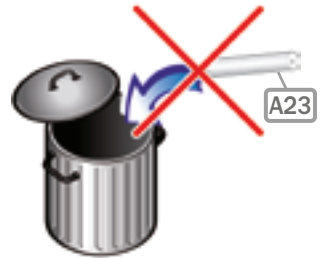
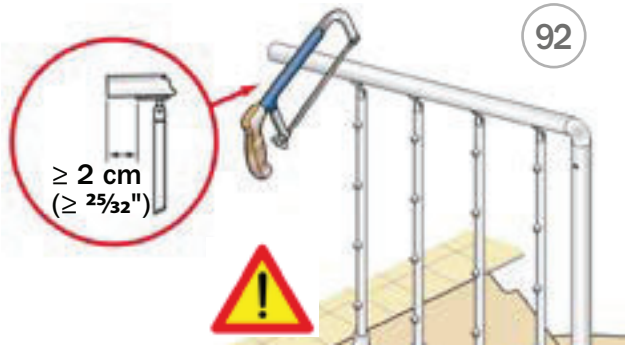


90

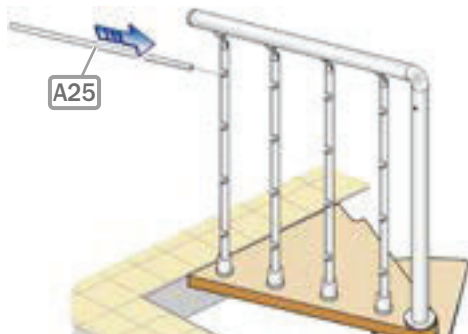


91

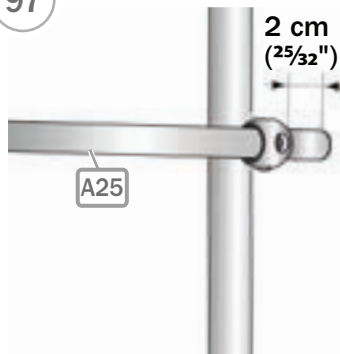




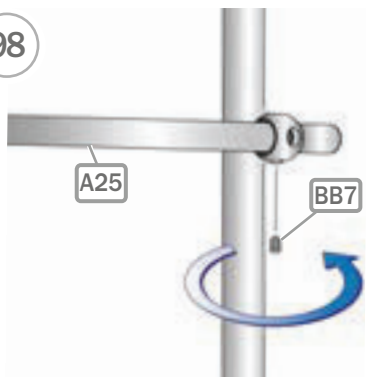
96



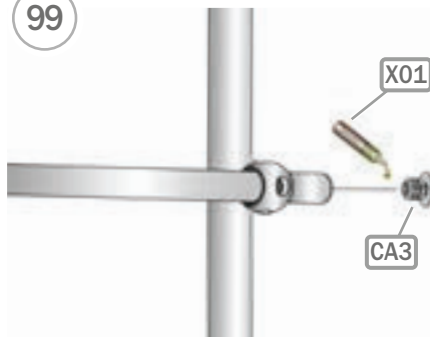
97



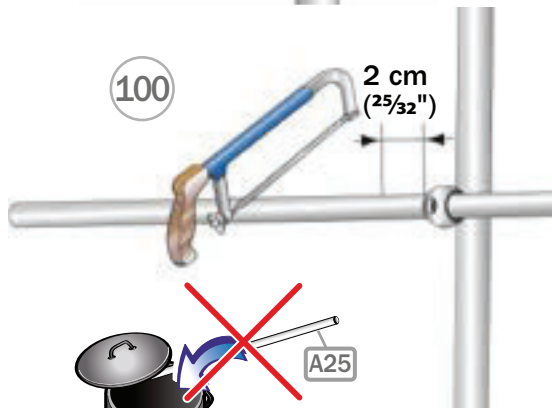
98



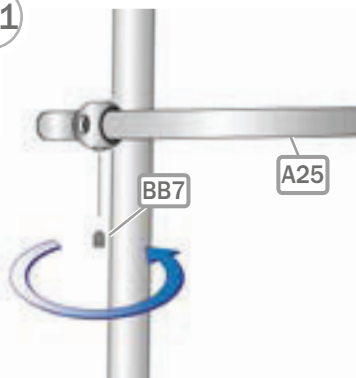
99



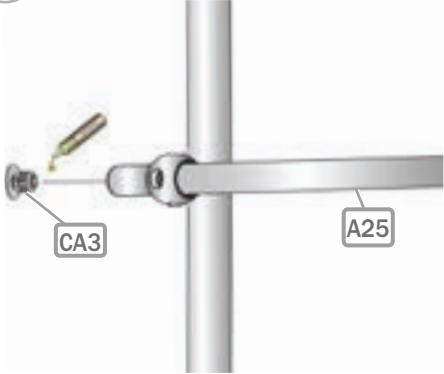
100



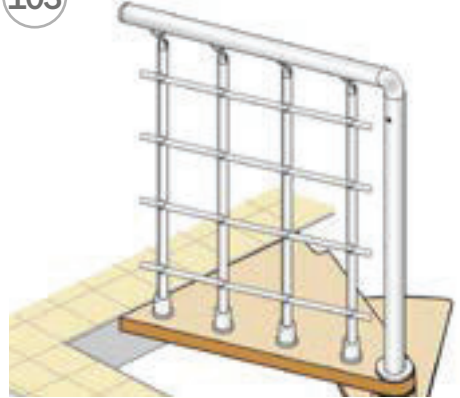
101



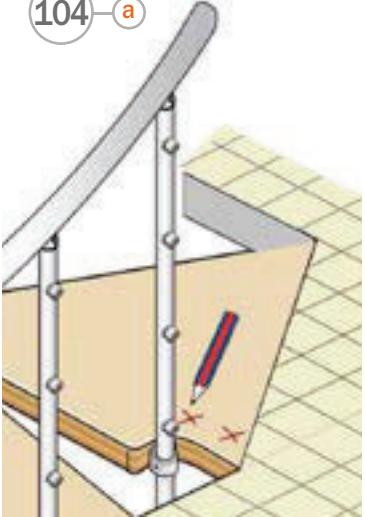
102



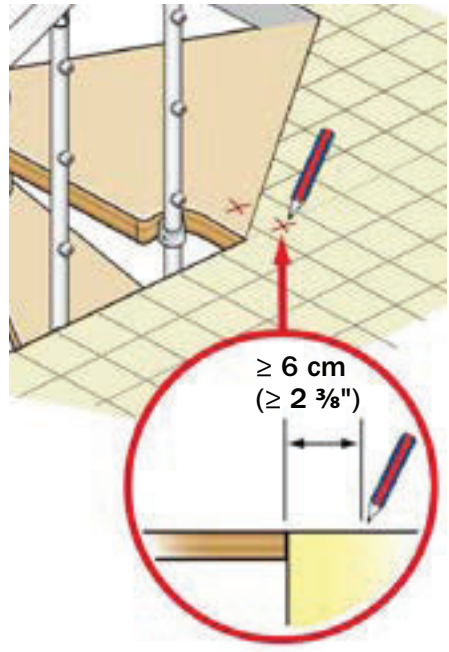
103



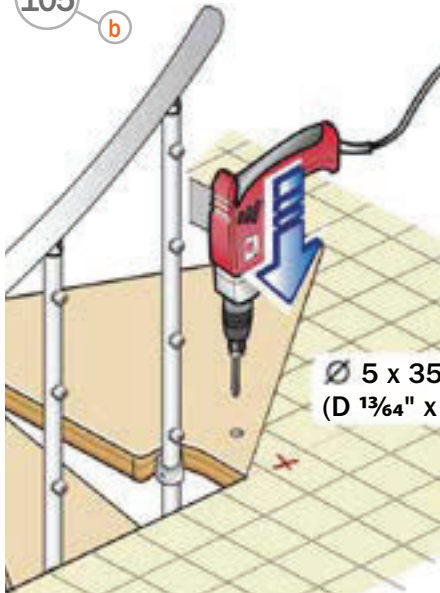
104 a



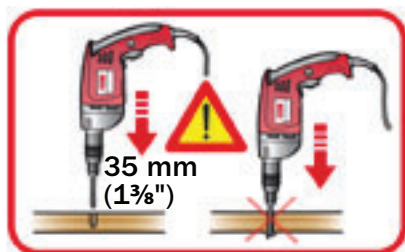
104 b



105 a
b

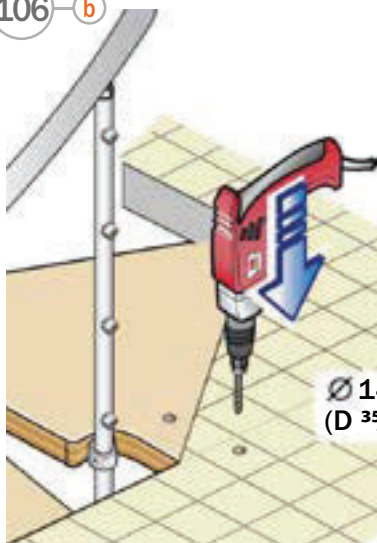


Ø 5 x 35 mm
(D 1³/₆₄" x 1³/₈")

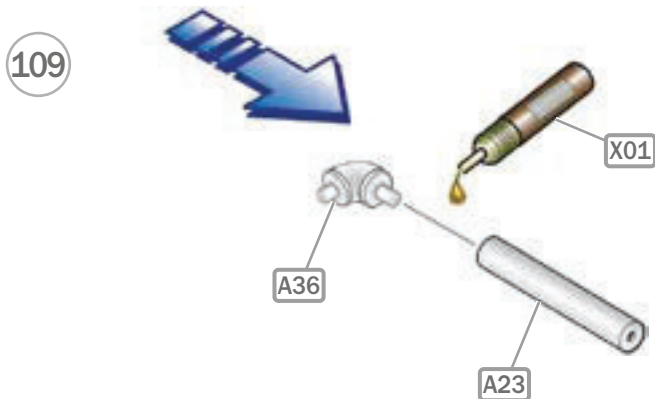
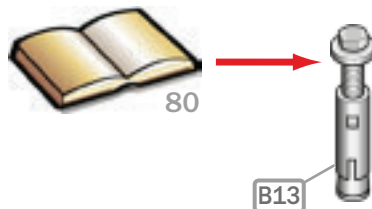
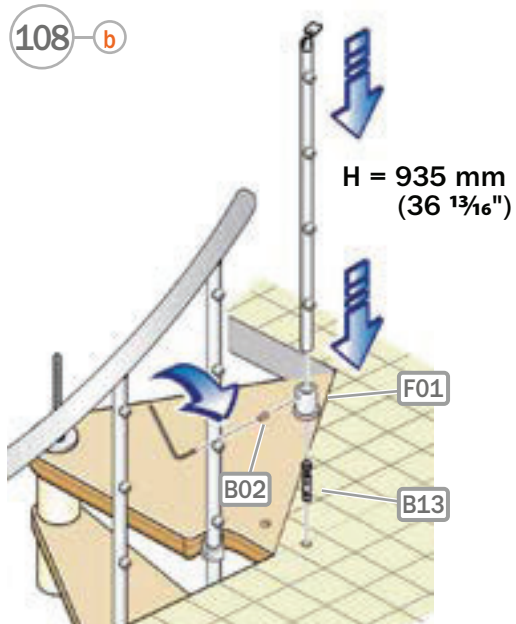
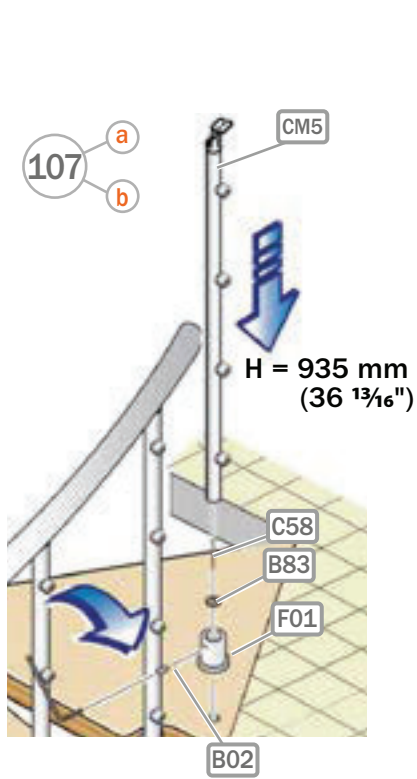


35 mm
(1³/₈")

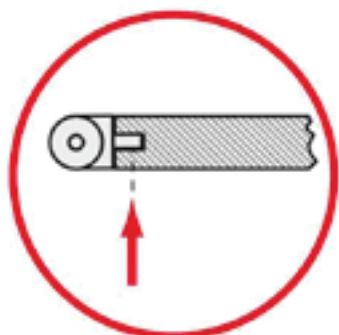
106 b



Ø 14 x 70 mm
(D 3⁵/₆₄" x 2³/₄")



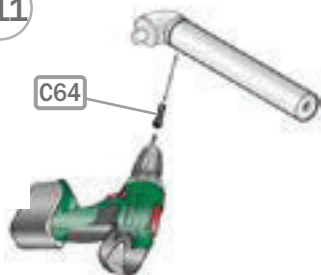
110



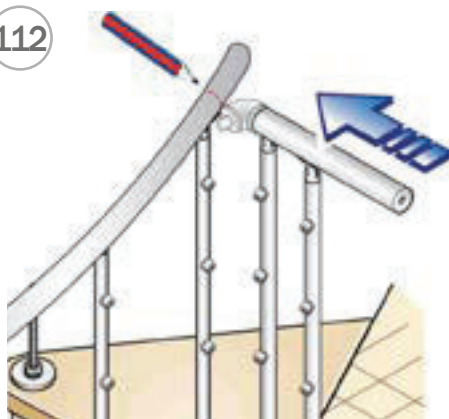
Ø 2,5 x 32 mm
(D 3/32" x 1 17/64")



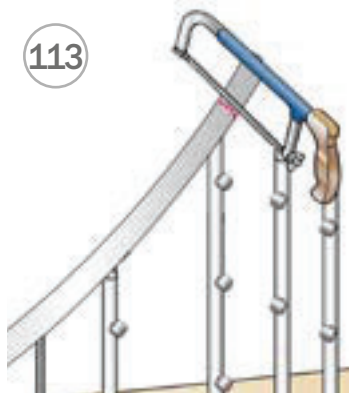
111



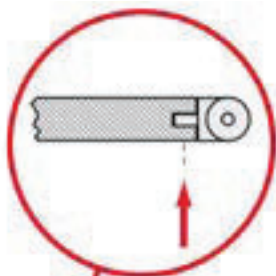
112



113



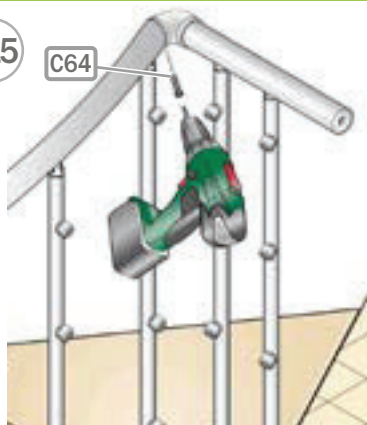
114



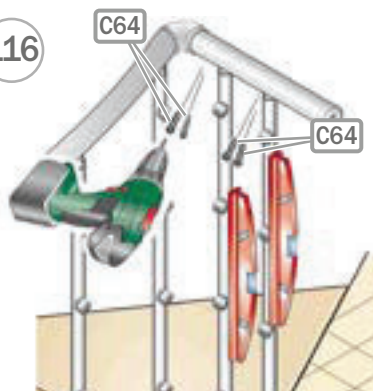
Ø 2,5 x 32 mm
(D 3/32" x 1 1/64")



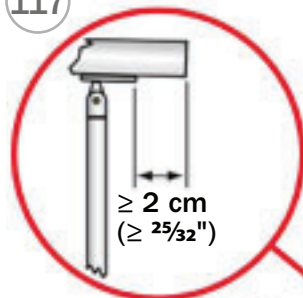
115



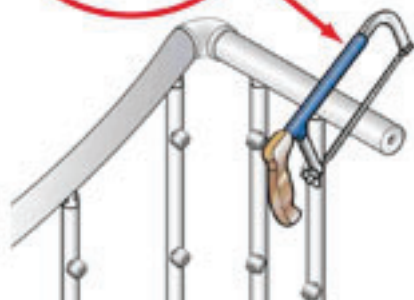
116



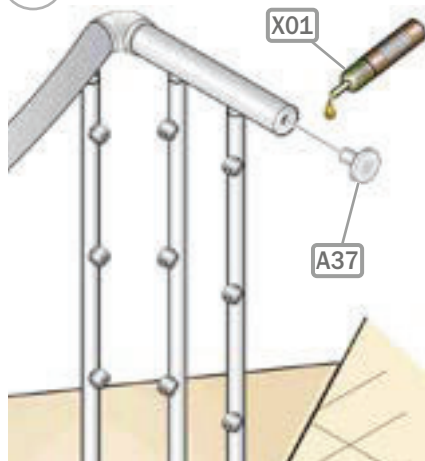
117



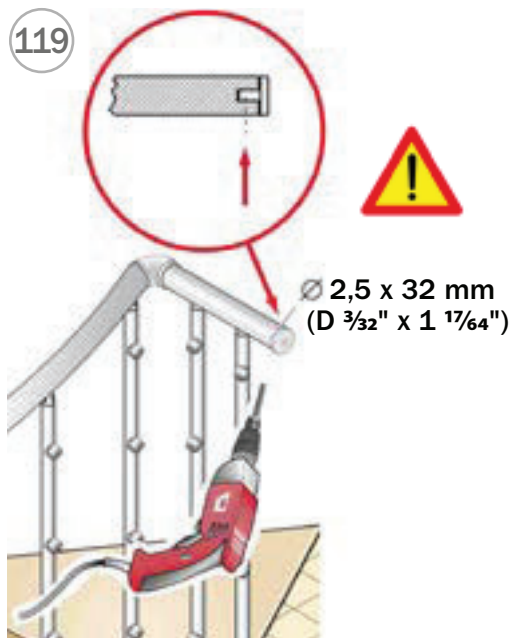
≥ 2 cm
(≥ 25/32")



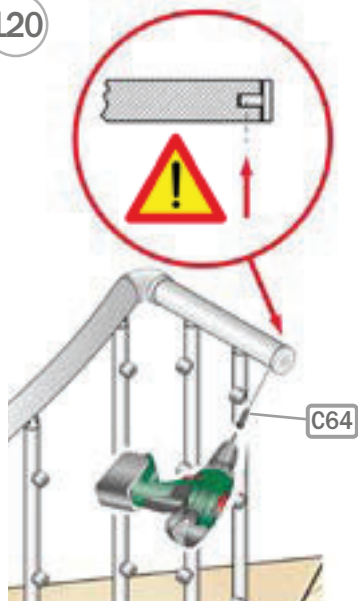
118



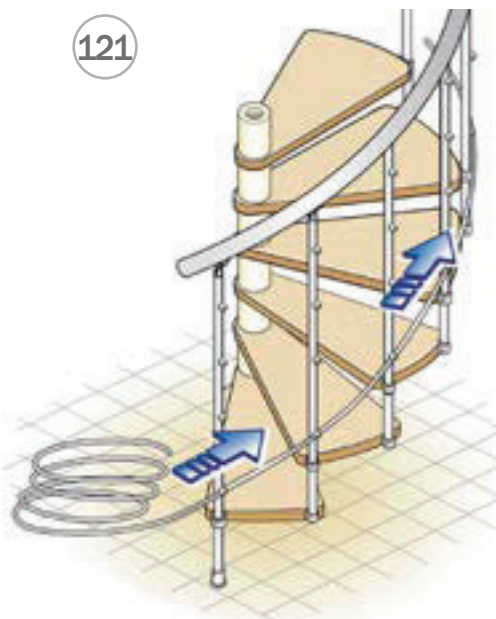
119



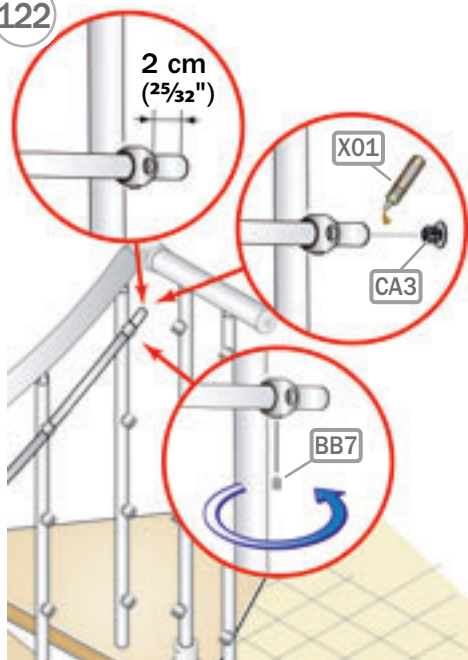
120



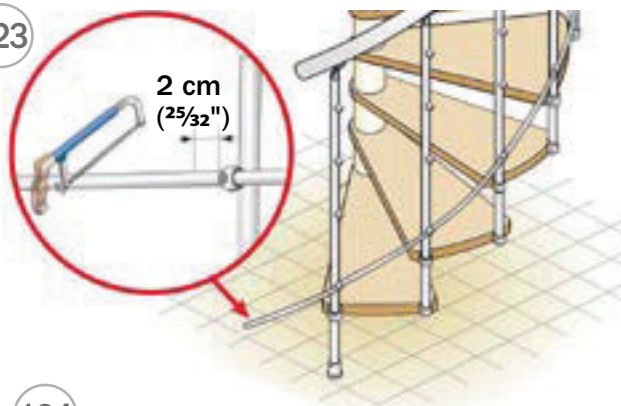
121



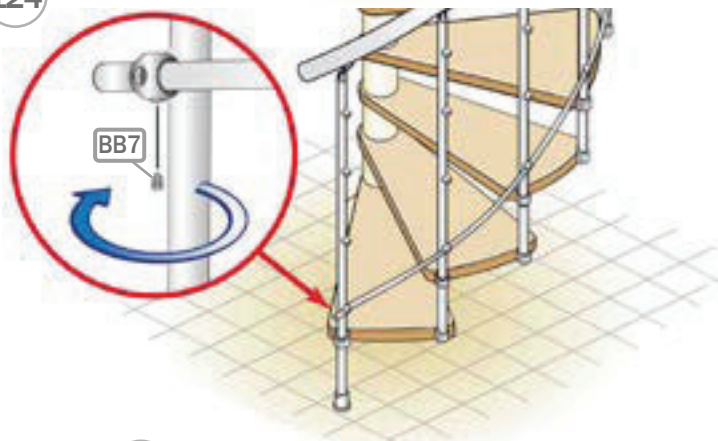
122



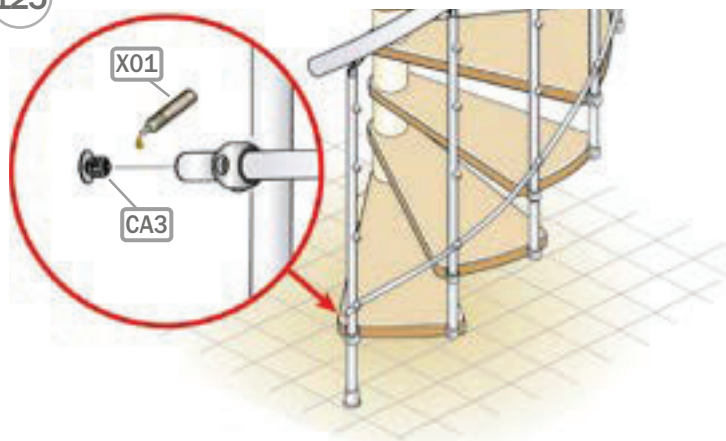
123

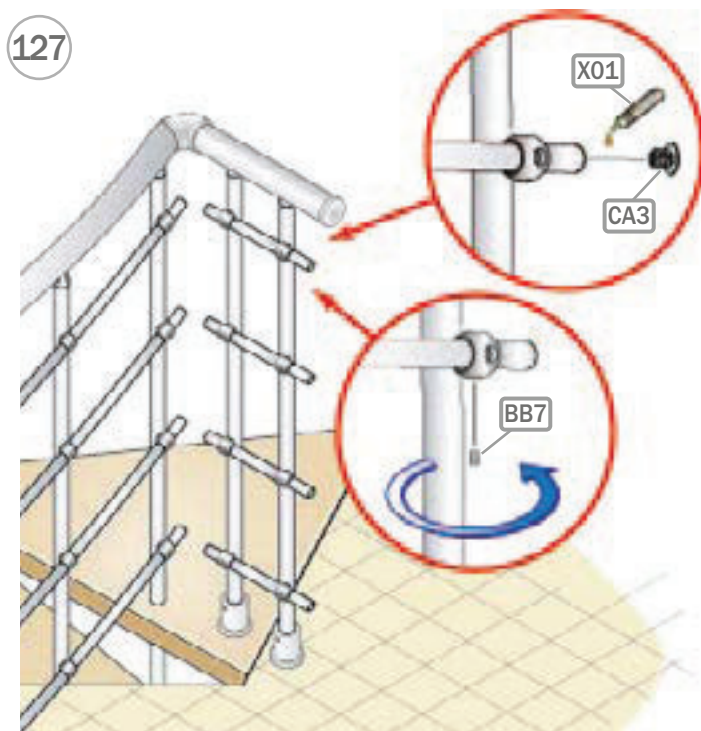
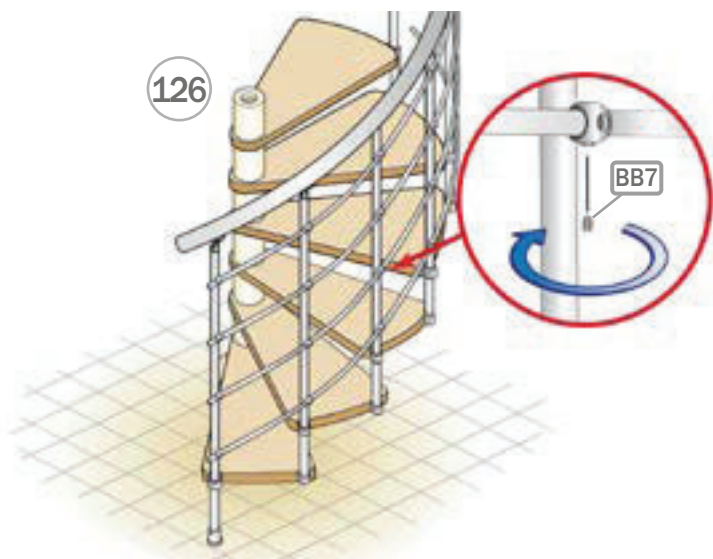


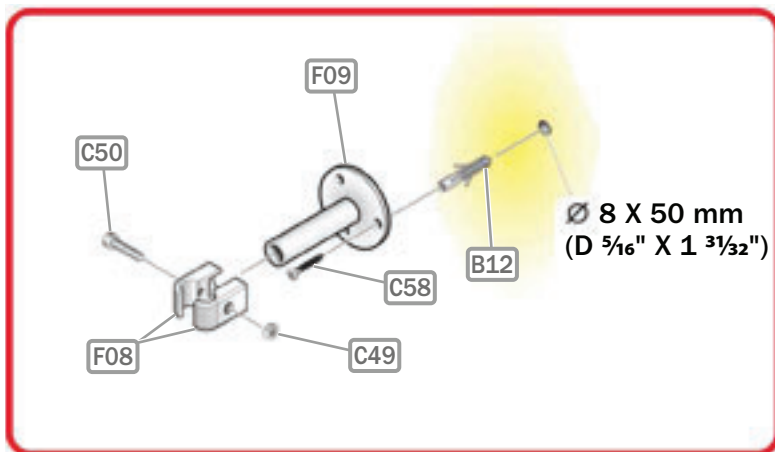
124



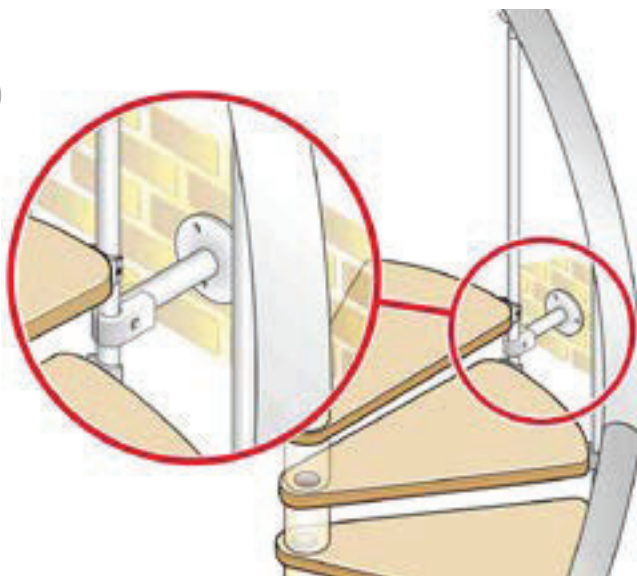
125



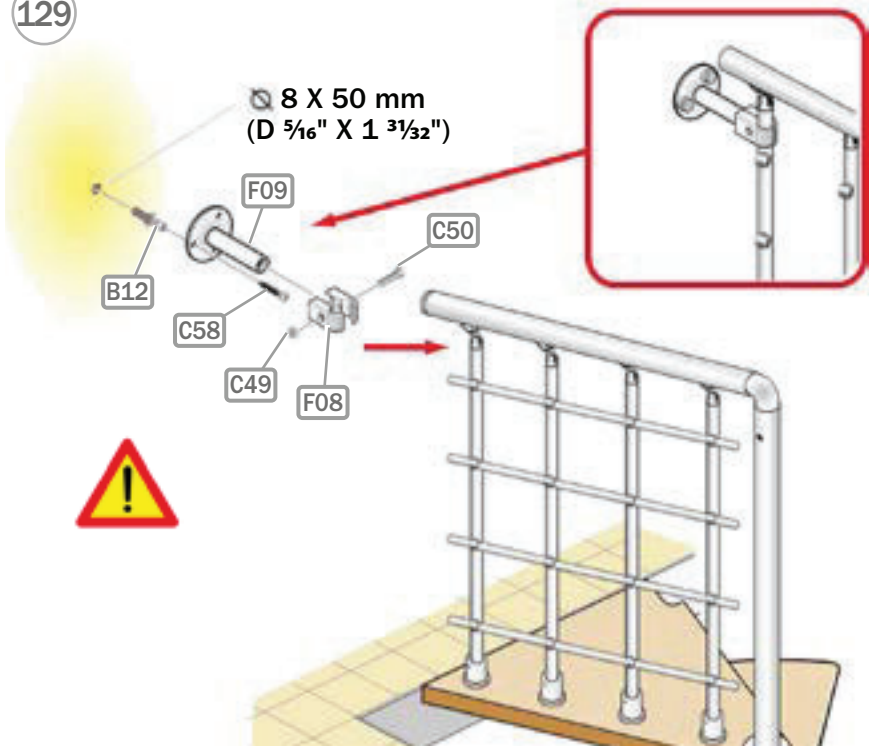




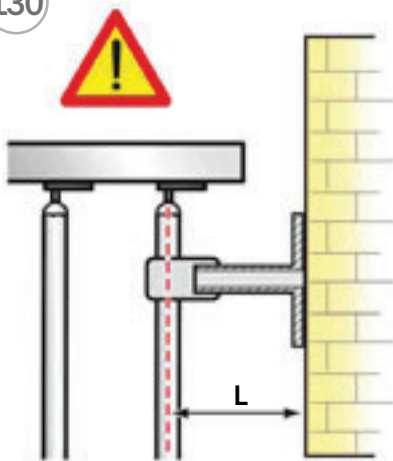
128



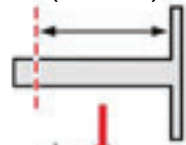
129



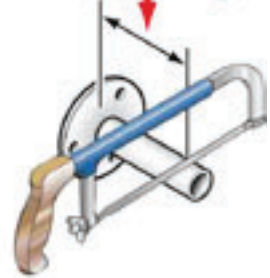
130

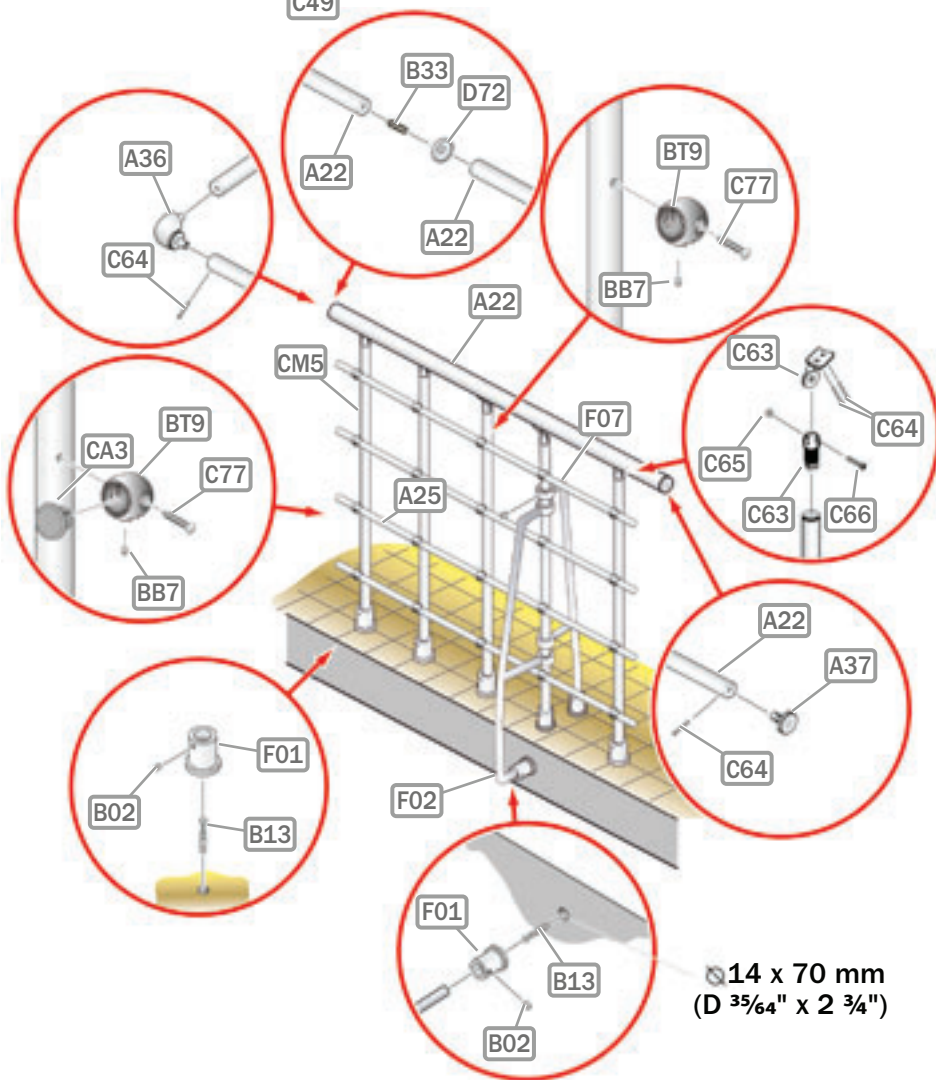
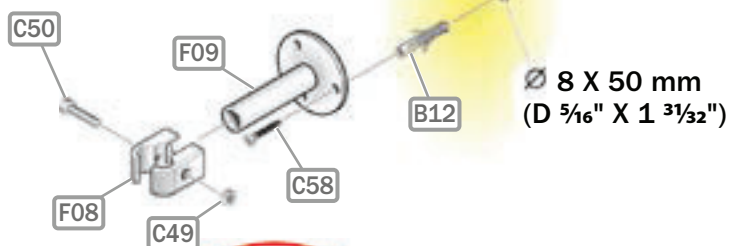


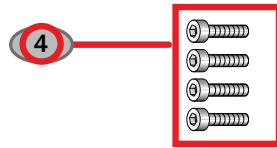
L - 3 cm
(L - 13/16")

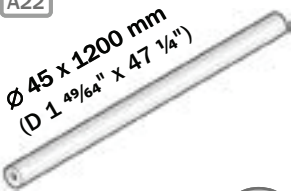





















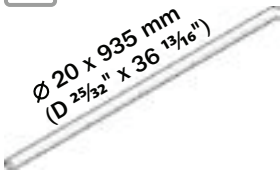


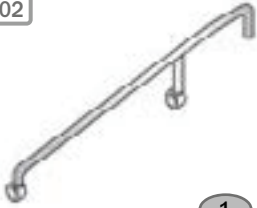
131







<p>A22</p> <p>$\varnothing 45 \times 1200 \text{ mm}$ (D $1 \frac{49}{64}'' \times 47 \frac{1}{4}''$)</p>  <p>1</p>	<p>A25</p>  <p>4</p>	<p>A36</p>  <p>1</p>
<p>A37</p>  <p>2</p>	<p>B02</p>  <p>8</p>	<p>B12</p>  <p>$\varnothing 8 \text{ mm}$ (D $\frac{5}{16}''$)</p> <p>3</p>
<p>B13</p>  <p>M8 mm (M $\frac{5}{16}''$)</p> <p>6</p>	<p>B33</p>  <p>M14 x 43 mm (M $\frac{35}{64}'' \times 1 \frac{1}{16}''$)</p> <p>1</p>	<p>BB7</p>  <p>20</p>

<p>BT9</p>  <p>20</p>	<p>C49</p>  <p>1</p>	<p>C50</p>  <p>1</p>
<p>C58</p>  <p>3</p>	<p>C63</p>  <p>5</p>	<p>C64</p>  <p>M3,5 x 38 mm (M 9/64" x 1 1/2")</p> <p>14</p>
<p>C65</p>  <p>M4 mm (M 5/32")</p> <p>5</p>	<p>C66</p>  <p>5</p>	<p>C77</p>  <p>20</p>
<p>CA2</p>  <p>M10 x 30 mm (M 25/64" x 1 3/16")</p> <p>4</p>	<p>CA3</p>  <p>8</p>	<p>CM5</p>  <p>Ø 20 x 935 mm (D 25/32" x 36 13/16")</p> <p>5</p>
<p>D72</p>  <p>1</p>	<p>F01</p>  <p>6</p>	<p>F02</p>  <p>1</p>

F08



2

F09

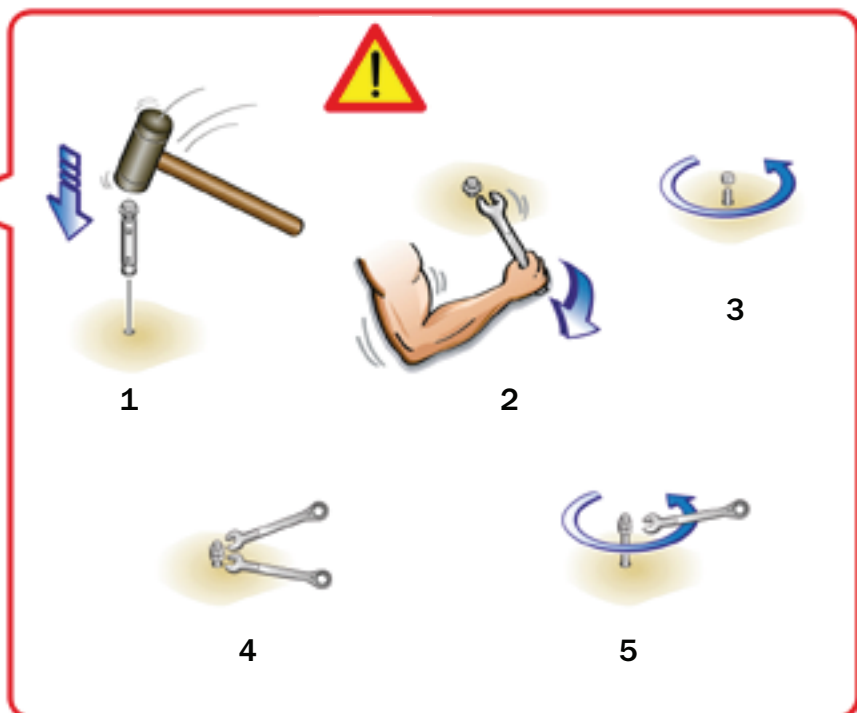
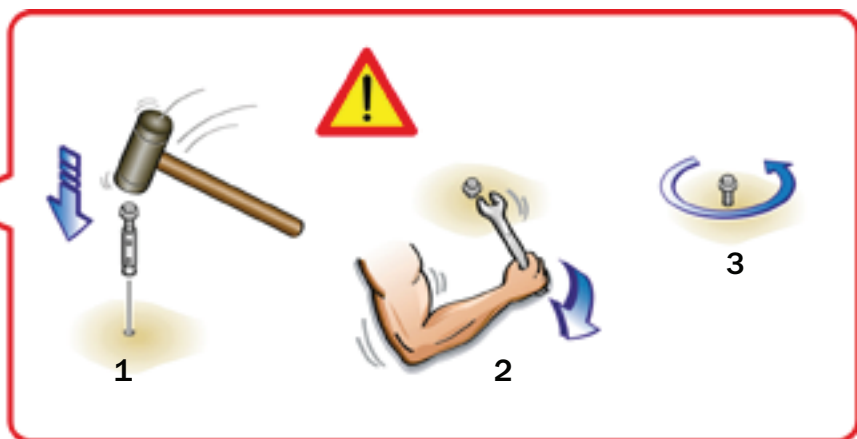


1

X01



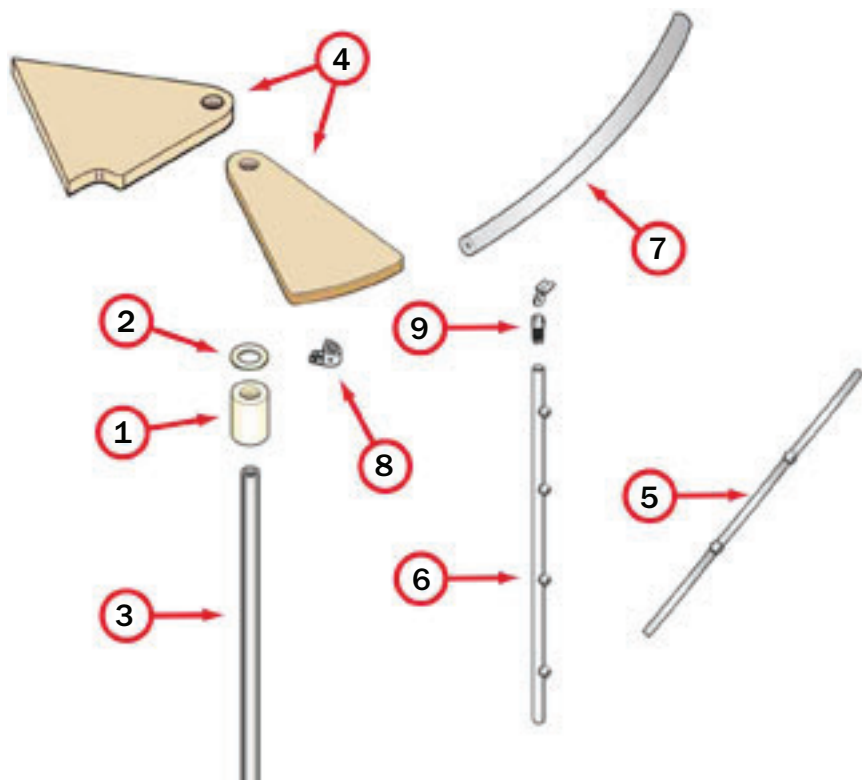
1





Italiano	DATI IDENTIFICATIVI DEL PRODOTTO
Français	DONNÉES D'IDENTIFICATION DU PRODUIT
English	PRODUCT DETAILS
Español	DATOS DE IDENTIFICACIÓN DEL PRODUCTO
Deutsch	PRODUKTEIGENSCHAFTEN
Svenska	PRODUKTDETALJER
Dansk	PRODUKTETS IDENTIFIKATIONSDATA
Norsk	PRODUKTINFORMASJON
Suomi	TUOTTEEN TUNNISTETIEDOT





IT)

dati identificativi del prodotto

denominazione commerciale: **GEXI T 050 PVC**

tipologia: scala a chiocciola a pianta tonda

materiali impiegati

STRUTTURA

descrizione

composta da distanziali **(1)** in metallo e spessori **(2)** in plastica impilati e compressi sul palo **(3)** centrale modulare

materiali

distanziali: Fe 370

spessori: nylon

palo: Fe 370 zincato

finitura

distanziali: verniciatura a forno con polveri epossidiche

GRADINI

descrizione

gradini **(4)** impilati sul palo **(3)** centrale

materiali

multistrato di betulla

RINGHIERA

descrizione

composta da colonnine **(6)** verticali in metallo fissate ai gradini **(4)**, da tubi in PVC **(5)** e da un corrimano **(7)** di PVC

materiali

colonnine: Fe 370

tubi **(5)**: PVC

corrimano: PVC con anima in alluminio

fissaggi **(8)** **(9)**: nylon

finitura

colonnine: verniciatura a forno con polveri epossidiche

PULIZIA E MANUTENZIONE OBBLIGATORIA

Eseguire la pulizia della scala alla prima comparsa di macchie di sporco e depositi di polvere e periodicamente almeno ogni 6 mesi con panno morbido inumidito in acqua e detergenti specifici non abrasivi ed aggressivi. NON usare mai pagliette abrasive o in ferro. Pulire ed asciugare accuratamente dopo il lavaggio con un panno in microfibra al fine di eliminare gli aloni del calcare presente nell'acqua. Dopo circa 12 mesi dalla data di installazione, controllare il serraggio della viteria dei vari componenti. Al verificarsi di qualsiasi minimo malfunzionamento è obbligatorio effettuare una manutenzione straordinaria, da eseguire subito e a regola d'arte.

PRECAUZIONI D'USO

Evitare usi impropri e non consoni al prodotto. Eventuali manomissioni o installazioni non rispondenti alle istruzioni del produttore possono inficiare le conformità prestabilite del prodotto.

FR)

données d'identification du produit

denomination commerciale : **GEXI T 050 PVC**

typologie : escalier helicoidal en colimaçon à plan rond

matériaux utilisés

STRUCTURE

description

composé de entretoises **(1)** en métal et cales **(2)** en plastique empilées et comprimées sur le pylône **(3)** modulaire central

matériaux

entretoises : Fe 370

cales : nylon

pylône : Fe 370 galvanisé

finition

entretoises : vernissage à chaud avec poudres époxy

MARCHES

description

marches **(4)** empilées sur le pylône **(3)** central

matériaux

contreplaqué bouleau

GARDE-CORPS

description

composé de colonnettes **(6)** verticales en métal fixées aux marches **(4)**, des tubes en PVC **(5)** et main courante en PVC **(7)**

matériaux

colonnettes : Fe 370

tubes **(5)** : PVC

main courante : PVC avec noyau en aluminium

fixations **(8)** **(9)** : nylon

finition

colonnettes : vernissage à chaud avec poudres époxy

NETTOYAGE ET MAINTENANCE OBLIGATOIRE

Nettoyer les marches dès que des taches de saleté ou des dépôts de poussière apparaissent ; effectuer également un nettoyage périodique, tous les 6 mois, à l'aide d'un chiffon doux, humidifié d'eau et de détergents spécifiques non abrasifs et non agressifs. NE JAMAIS utiliser de la paille de fer abrasive. Après lavage, nettoyer et essuyer soigneusement avec un chiffon en microfibre, afin d'éliminer les auréoles provoquées par le calcaire contenu dans l'eau. Environ 12 mois après la date d'installation, contrôler le serrage des vis des différents composants. À la moindre défaillance, il est obligatoire d'effectuer immédiatement une maintenance corrective, dans les règles de l'art.

PRECAUTION D'UTILISATION

Eviter l'utilisation impropre et non conforme au produit. D'éventuelles alterations ou installations non correspondantes aux instructions du producteur peuvent invalider les conformités préétablies du produit

EN) product details

trade name: **GEXI T 050 PVC**

type: spiral round staircase

used materials

STRUCTURE

description

composed of metal **(1)** and plastic spacers **(2)** stacked and packed on the central modular pole **(3)**

materials

spacers: Fe 370

plastic spacers **(2)**: nylon

pole: Fe 370 galvanized

finishing

spacers: oven varnishing with epoxy powders

TREADS

description

circular treads **(4)** stacked on the central pole **(3)**

materials

birch plywood

RAILING

description

composed of metal vertical balusters **(6)** fixed to treads **(4)**, of PVC tubes **(5)** and of a PVC handrail **(7)**

materials

balusters: Fe 370

tubes **(5)**: PVC

handrail: PVC with aluminium core

fixings **(8)** **(9)**: nylon

finishing

balusters: oven varnishing with epoxy powders

OBLIGATORY CLEANING AND MAINTENANCE

Clean the treads as soon as dirt spots and dust deposits appear and at least every 6 months using a soft cloth moistened with water and specific non-abrasive and non-aggressive detergents. **NEVER** use abrasive scourers. After cleaning, thoroughly dry the surfaces with a microfibre cloth to remove the haloes that form because of the limestone in the water. Approximately 12 months from the date of installation, check tightness of the screws of the various components. Should even the smallest malfunction occur, it is obligatory to immediately and professionally carry out extraordinary maintenance.

USE PRECAUTION

Avoid any improper use that is not in accordance with the product. possible violations or installations which don't comply with the providers instructions can invalidate the agreed product conformities.

ES) datos de identificación del producto

denominación comercial: **GEXI T 050 PVC**

tipo: escalera de caracol de planta redonda

materiales empleados

ESTRUCTURA

descripción

compuesta por distanciadores **(1)** de metal y espaciadores **(2)** de plástico enfilados y comprimidos en el palo **(3)** central modular

materiales

distanciadores: Fe 370

espaciadores **(2)**: nylon

palo central: Fe 370 galvanizado

acabado

distanciadores: barnizado en horno con polvos epoxídicos

PELDAÑOS

descripción

peldaños **(4)** enfilados en el palo **(3)** central

materiales

multicapa de abedul

BARANDILLA

descripción

compuesta por barrotes **(6)** verticales de metal fijados a los peldaños **(4)**, por tubos **(5)** y por un pasamanos **(7)** de PVC

materiales

barrotes: Fe 370

tubos **(5)**: PVC

pasamanos: PVC con alma de aluminio

fijaciones **(8)** **(9)**: nylon

acabado

barrotes: barnizado en horno con polvos epoxídicos

LIMPIEZA Y MANTENIMIENTO OBLIGATORIO

Realizar la limpieza de la escalera en cuanto aparezcan manchas de suciedad y depósitos de polvo, y periódicamente al menos cada 6 meses, con un paño suave humedecido en agua y detergentes específicos no abrasivos ni agresivos. **NO** utilizar nunca lanas abrasivas o de hierro. Limpiar y secar bien después del lavado utilizando un paño de microfibra para eliminar las aureolas de cal dejadas por el agua. Transcurridos unos 12 meses desde la fecha de instalación, comprobar que los tornillos que fijan las distintas partes sigan bien apretados. Ante el menor defecto de funcionamiento, es obligatorio realizar un mantenimiento extraordinario según las reglas del arte.

PRECAUCIONES DE USO

Evitar usos impropios y no conformes con el producto. Eventuales manipulaciones o instalaciones que no cumplan con las instrucciones del fabricante pueden menoscabar las cualidades certificadas en las pruebas de conformidad a las que previamente fue sometido el producto.

DE) Produkteigenschaften

kommerzielle Bezeichnung: **GEXI T 050 PVC**
Typologie: Spindeltrappe mit rundem Grundriss

verwendete Materialien

STRUKTUR

Beschreibung

bestehend aus Metalldistanzhülsen **(1)** und Distanzringen **(2)** aus Kunststoff um die Zentralsäule im Baukastensystem **(3)** herum gestapelt und komprimiert

Materialien

Distanzhülsen: Fe 370

Distanzringe: Nylon

Zentralsäule: Fe 370 verzinkt

Ausführung

Distanzhülsen: Pulverbeschichtung mit Epoxydharzen

STUFEN

Beschreibung

runde Holzstufen **(4)** um die Zentralsäule **(3)** herum

Materialien

Mehrschichtbirkenholz

GELÄNDER

Beschreibung

bestehend aus senkrechten Geländerstäben **(6)** die auf den Stufen **(4)** durch einen PVC-Handlauf **(7)** und PVC-Rohre **(5)** befestigt sind

Materialien

Geländerstäbe: Fe 520

Rohre **(5)**: PVC

Handlauf: PVC mit Aluminiumkern

Befestigungen **(8)** **(9)**: Nylon

Ausführung

Geländerstäbe: Pulverbeschichtung mit Epoxydharzen

REINIGUNG UND VORGESCHRIBENE INSTANDHALTUNG

Die Treppe sofort reinigen wenn Schmutzfl ecken und Staubansammlungen entstehen und sie mindestens alle 6 Monate mit einem weichen, mit Wasser und einem spezifischen, weder scheuernden, noch aggressiven Reinigungsmittel befeuchteten Lappen abwischen. **NIEMAL**s scheuernde Eisenschwämme verwenden. Nach der Feuchtreinigung mit einem Mikrofasertuch sorgfältig nachtrocknen, um die Schlierenbildung durch kalkhaltiges Wasser zu vermeiden. 12 Monate nach der Montage das Anzugsmoment der Schrauben der verschiedenen Komponenten kontrollieren. Bei Auftreten einer noch so geringen Funktionsstörung muss unbedingt sofort eine fachgerechte außerordentliche Instandhaltung durchgeführt werden.

VORSICHTSMAßNAHMEN FÜR DIE ANWENDUNG

Die falsche und unangemessene Verwendung des Produkts vermeiden. Eventuelle Beschädigungen oder nicht der Montageanleitung des Herstellers gemässe Einrichtungen können die vorgegebene Produktkonformität für ungültig erklären.

SV) produkttdetaljer

kommersiell benämning: **GEXI T 050 PVC**
typ: spiraltrappa med rund planritning

konstruktionsmaterial

STRUKTUR

beskrivning

bestående av mellanlägg **(1)** av metall och distanshållare **(2)** av plast som staplas och pressas samman på den centrala modulstolpen **(3)**

material

mellanlägg: Fe 370

distanshållare: nylon

stolpe: Fe 370 förzinkad

ytbehandling

mellanlägg: ugnslackerade med epoxipulver

TRAPPSTEG

beskrivning

trappsteg **(4)** som staplas på central stolpe **(3)**

material

björkplywood

RÄCKE

beskrivning

bestående av vertikala räckesständer **(6)** av metall, monterade på trappstegen **(4)**, en handledare **(7)** och stänger **(5)** i PVC

material

stolpar: Fe 370

stänger **(5)**: PVC

ledstång: PVC med aluminiumkärna

fästanordningar **(8)** **(9)**: nylon

ytbehandling

stolpar: ugnslackerade med epoxipulver

NÖDVÄNDIG RENGÖRING OCH UNDERHÅLL

Rengör trappan vid första smutsfläck eller när damm samlas, och regelbundet minst var 6:e månad. Rengör med en trasa fuktad med vatten och lämpligt rengöringsmedel som inte är slipande eller frätande. **Använd aldrig** slipande svampar eller stålull. Rengör och torka noggrant efter rengöring med en mikrofiberduk för att undvika kalkfläckar från vattnet. Kontrollera åtdragningen av skruvarna för de olika komponenterna efter 12 månader. Vid varje typ av felfunktion är det obligatoriskt att utföra ett extra underhåll. Detta ska utföras omedelbart och på ett yrkesmannamässigt sätt.

ANVÄNDNINGSFÖRESKRIFTER

Undvik att använda produkten på ett olämpligt sätt. Eventuell mixring eller installation som inte överensstämmer med tillverkarens anvisningar kan leda till att överensstämmelsekraven som har fastställts för produkten inte längre gäller.

DA) produktets identifikationsdata

handelsbetegnelse: **GEXI T 050 PVC**
type: vindeltrappe med rundt skema

brugte materialer

STRUKTUREN

beskrivelse

strukturen består af afstandsstykker (1) i metal og plastikpakninger (2) indsat oven på hinanden og komprimeret på den midterste modulstolpe (3)

materialer

afstandsstykker: Fe 370

pakninger: nylon

stolpe: forzinket Fe 370

finish

afstandsstykker: malet i ovn med epoxypulver

TRIN

beskrivelse

circulære trin (4) indsat oven på hinanden på midterstolpen (3)

materialer

flerlags birk

GELÆNDER

beskrivelse

bestående af vertikale søjler (6) i metal fastgjort til trinnene (4), med rør i PVC (5) og af et rækværk (7) i PVC

materialer

stolper: Fe 370

rør (5): PVC

håndgelænder: PVC med en kerne af aluminium

fikseringer (8) (9): nylon

finish

små stolper: malet i ovn med epoxypulver

RENGØRING OG PÅBUDT VEDLIGEHOLDELSE

Trappen skal rengøres når de første tegn på tilsmudsning og af støvaflejringer fremkommer, og i hvert fald regelmæssigt for hver 6. måned med en blød klud vædet i vand og specifikke ikke ætsende eller aggressive rengøringsmidler. Der må **ALDRIG** bruges skure- eller stålsvampe. Rengør og tør omhyggeligt med en mikrofiberklud efter vask for at fjerne kalkaflejringerne, der findes i vandet. Efter ca. 12 måneder fra installationsdatoen, kontrolleres fikseringen på de forskellige komponenters skruer. I tilfælde af en hvilken som helst fejlfunktion, er det påbudt at udføre en ekstraordinær vedligeholdelse, der bør udføres omgående og i overensstemmelse med bedste praksis.

BRUGSHENVISNINGER

Undgå at bruge produktet forkert. Eventuelle fejlgreb eller installationer, som ikke er i overensstemmelse med producentens instruktioner, kan svække produktets fastsatte egenskaber.

NO) produktinformasjon

produktnavn: **GEXI T 050 PVC**
karakteristikk: spiraltrapp med sirkulært plan

produksjonsmaterialer

STRUKTUR

beskrivelse

sammensatt av avstandsholdere (1) i metall og avstandsstykker (2) i plast, stablet lagvis og komprimert på modulens midtstolpe (3)

materialer

avstandsholdere: Fe 370

avstandsstykker: nylon

stolpe: Fe 370 galvanisert

finish

avstandsholdere: ovnslakkert med epoxypulver

TRAPPETRINN

beskrivelse

trinn (4) stablet lagvis på midtstolpen (3)

materialer

kryssfinér i bjørk

REKKVERK

beskrivelse

sammensatt av vertikale spiler (6) i metall festet til trinnene (4), av rør i PVC (5) og en håndløper (7) av PVC

materialer

spiler: Fe 370

rør (5): PVC

håndløper: PVC med aluminiumskjerje

fester (8) (9): nylon

finish

spiler: ovnslakkert med epoxypulver

RENGØRING OG NØVDENDIG VEDLIKEHOLD

Rengjør trappen straks det oppstår flekker eller støvansamlinger. Trappen må dessuten rengjøres jevnlig minst hver 6. måned med en myk klut fuktet med vann og spesielle milde rengjøringsmidler som ikke lager riper. Bruk **IKKE** rengjøringsssvamper med slipeeffekt eller stållull. Skyll og tørk omhyggelig med en mikrofiberklud etter rengjøringen, slik at alle kalkholdige vannflekker fjernes. Kontroller etter ca. 12 måneder fra installasjonen, at skruene i de forskjellige komponentene er korrekt strammet. Så snart man oppdager den minste funksjonsfeil må det utføres et forskriftsmessig ekstraordinært vedlikeholdsinngrep.

FORHOLDSREGLER VED BRUK

Unngå uriktig og uegnet bruk av produktet. Eventuelle endringer eller innstillinger som ikke er i samsvar med produsentens anvisninger vil kunne medføre at de forhåndsdefinerte produktkonformitetene blir ugyldiggjort.

FI)

tuotteen tunnistetiedot

kauppanimi: **GEXI T 050 PVC**

tyyppi: pyöreä kierreporras

käytetyt materiaalit

RAKENNE

kuvaus

koostuu metallisista välilevyistä (1) ja muovisista välilevyistä (2), jotka kasataan ja painetaan modulaariseen keskipylvääseen (3)

materiaalit

välilevyt: Fe 370

muoviset välilevyt: nailon

pylväs: sinkitty Fe 370

viimeistely

välilevyt: maalaus uunissa epoksijauheilla

ASKELMAT

kuvaus

askelmat (4) pinottu keskipylvääseen (3)

materiaalit

koivuvaneri

KAIDE

kuvaus

koostuu metallisista pystypinnoista (6), jotka on kiinnitetty askelmiin (4), PVC-putkista (5) ja PVC-käsijohdeesta (7)

materiaalit

pystypinnat: Fe 370

putkista (5): PVC

käsijohde: PVC ja sisäosa alumiinia

kiinnikkeet (8) (9): nailon

viimeistely

pystypinnat: maalaus uunissa epoksijauheilla

PAKOLLINEN PUHDISTUS JA YLLÄPITO

Huolehdi portaiden puhdistuksesta ensimmäisten liikatahrojen tai pölyjäämien ilmestyessä sekä säännöllisin väliajoin vähintään joka 6. kuukausi liinalla, joka on kostutettu miedon hankaamattoman pesuaineen ja veden muodostamassa liuoksessa. **ÄLÄ** koskaan käytä hankaavia tai metallisia sieniä. Puhdista ja kuivaa huolellisesti pesun jälkeen mikrokuituliinalla, jotta poistetaan vesijäämien aikaansaamat kalkkiläikät. Noin 12 kuukauden kuluttua asennuksesta tarkista, että kaikki eri osien ruuvit ja mutterit ovat tiukalla.

Mikäli havaitaan pienikin toimintahäiriö, on pakollista suorittaa ennakoimaton huolto, välittömästi ja tarvittavat toimenpiteet kunnolla suorittaen.

KÄYTÖN VAROTOIMET

Vältä tuotteen sopimatonta käyttöä. Mahdolliset väärinkäytökset tai asennukset, jotka eivät vastaa valmistajan ohjeita, voivat aiheuttaa sen, että tuote ei vastaa sen ilmoitettuja ominaisuuksia.



**GEXI
T 050
PVC**

D.U.M.
01/2019

Fontanot S.p.A.
Sede legale ed amministrativa
via P. Paolo Pasolini, 6
47853 Cerasolo Ausa
Rimini, Italy

tel. +39.0541.90.61.11
fax. +39.0541.90.61.24
info@fontanot.it
www.fontanot.it

cod. 067824011

Design: Centro Ricerche Fontanot

Sistema aziendale Fontanot S.p.A.
certificato CSQ ISO-9001

