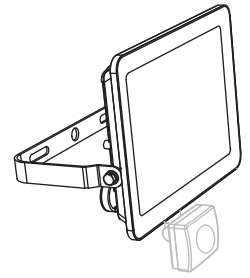
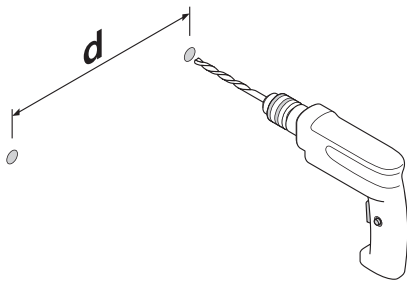


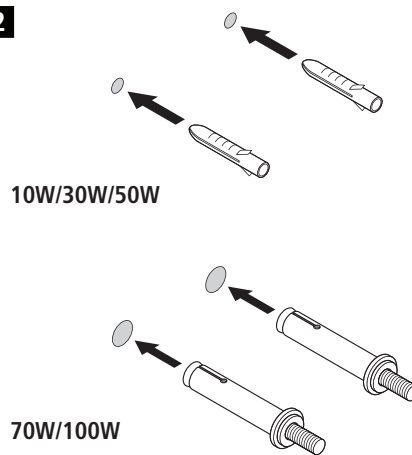
	L x W x H (mm)	P (W)	d (mm)			IP		
0047960, 0047961, 0048238	114x96x38	10	72	06		65	0.330	0.009
0047962, 0047963, 0048239	155x190x67	11	72	06	05	54	0.610	0.017
0047964, 0047965, 0048240	156x126x38	30	72	06		65	0.545	0.017
0047966, 0047967, 0048241	155x190x67	31	72	06	05	54	0.610	0.017
0047968, 0047969, 0048242	193x190x48	50	106	07		65	0.785	0.028
0047970, 0047971, 0048243	192x220x69	51	106	07	05	54	0.850	0.028
0047972, 0047973, 0048244	283x263x44	70				65	1.775	0.059
0047976, 0047977, 0048245	100					65		



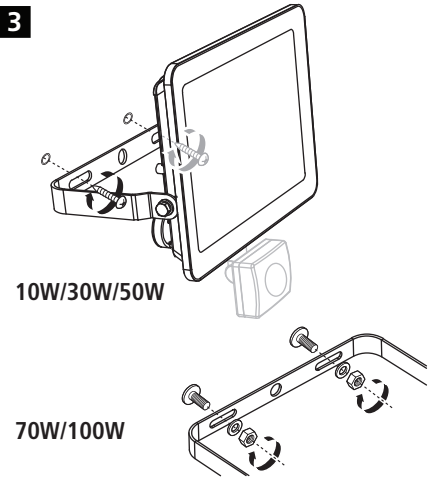
1



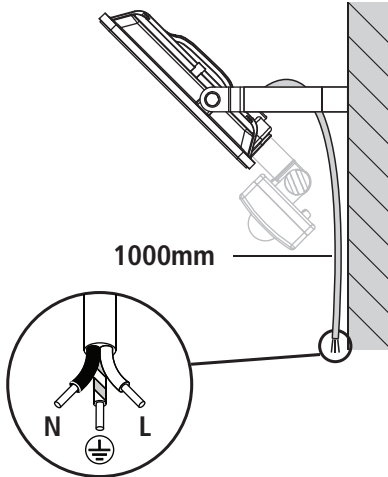
2



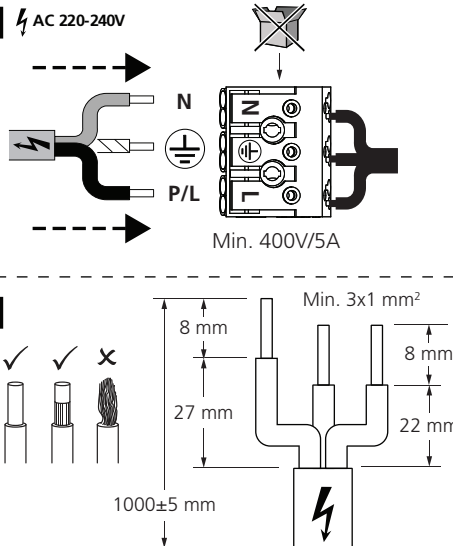
3



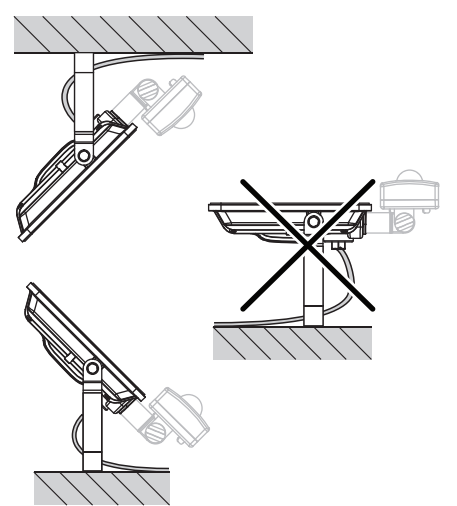
5



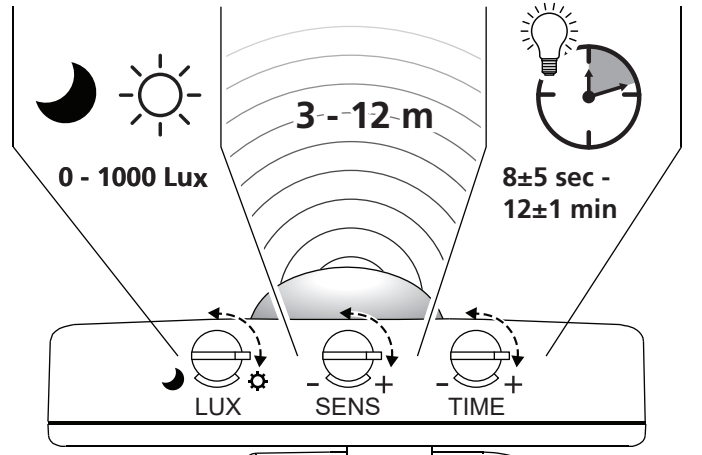
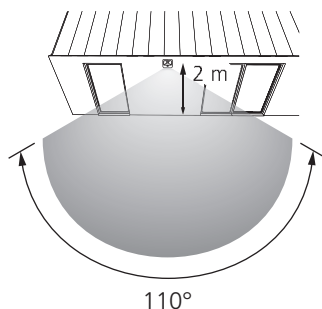
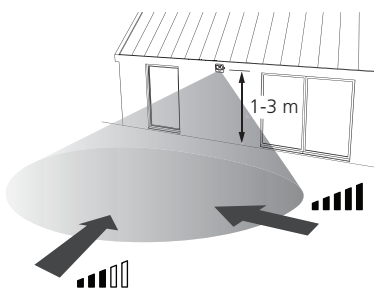
6



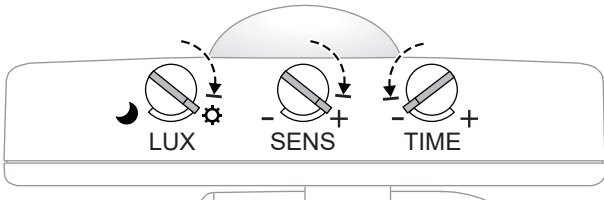
!



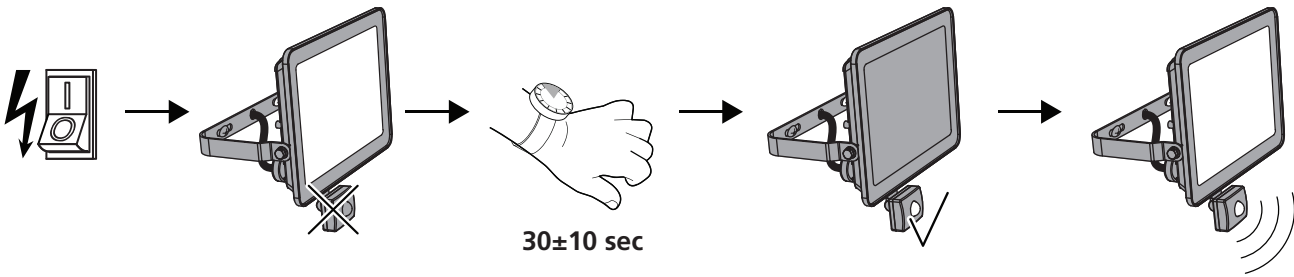
!




7 



8 



 Z-type

