

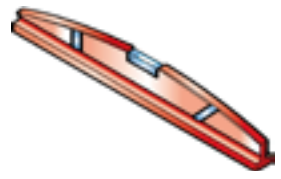
# pratique 4



---

Copyright by Albin & Fontanot S.p.A., first publication september 26, 2014

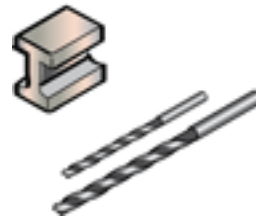
pratique 4



13 mm      19 mm  
15 mm

2,5 mm      5 mm  
3 mm        6 mm  
4 mm        8 mm

6 mm    19 mm  
8 mm    13 mm



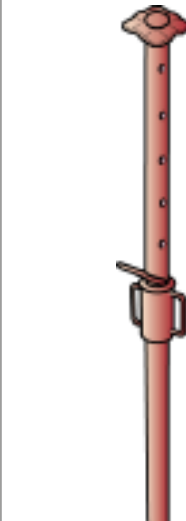
PH 2

Ø 3 mm  
Ø 5 mm

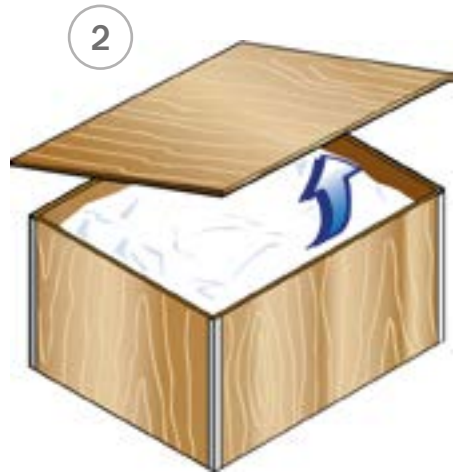
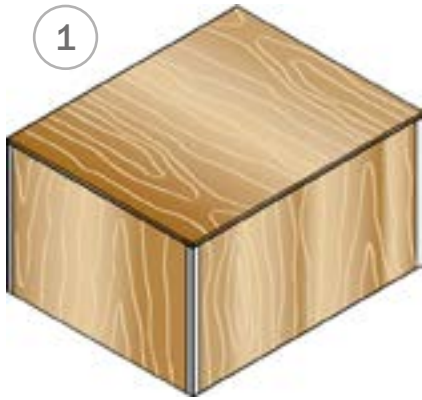
Ø 13 mm



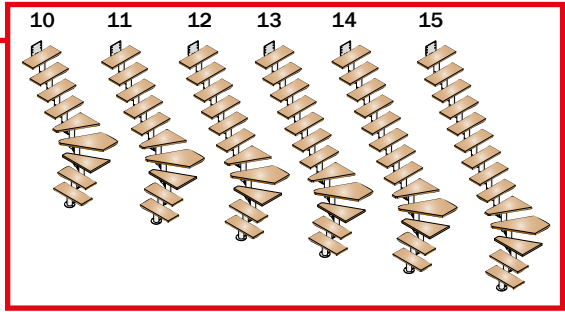
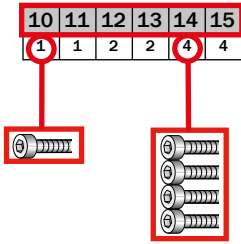
Ø 8 x 150 mm  
Ø 14 x 150 mm



pratique 4







A09



10	11	12	13	14	15	
"I"	6	6	6	6	6	6
"L"	6	6	6	6	6	6
"U"	9	6	6	6	6	6

A11



10	11	12	13	14	15	
"I"	4	4	4	4	4	4
"L"	3	3	3	3	3	3
"U"	3	3	3	3	3	3

B02



10	11	12	13	14	15	
"I"	31	34	37	40	43	46
"L"	25	28	31	34	37	40
"U"	20	23	26	29	32	35

B12



10	11	12	13	14	15	
"I"	5	5	5	5	5	5
"L"	5	5	5	5	5	5
"U"	5	5	5	5	5	5

B13



10	11	12	13	14	15	
"I"	2	2	2	2	2	2
"L"	2	2	2	2	2	2
"U"	2	2	2	2	2	2

B30



10	11	12	13	14	15	
"I"	32	36	40	44	48	52
"L"	32	36	40	44	48	52
"U"	32	36	40	44	48	52

B35



10	11	12	13	14	15	
"I"	1	1	1	1	1	1
"L"	1	1	1	1	1	1
"U"	1	1	1	1	1	1

B49



10	11	12	13	14	15	
"I"	42	46	50	54	58	62
"L"	30	34	38	42	46	50
"U"	18	22	26	30	34	38

B51



10	11	12	13	14	15	
"I"	3	3	3	3	3	3
"L"	2	2	2	2	2	2
"U"	2	2	2	2	2	2

**B65**

	10	11	12	13	14	15
"I"	19	21	23	25	27	29
"L"	13	15	17	19	21	23
"U"	7	9	11	13	15	17

**B71**

	10	11	12	13	14	15
"I"	16	18	20	22	24	26
"L"	16	18	20	22	24	26
"U"	16	18	20	22	24	26

**B75**

	10	11	12	13	14	15
"I"	32	36	40	44	48	52
"L"	32	36	40	44	48	52
"U"	32	36	40	44	48	52

**B82**

	10	11	12	13	14	15
"I"	20	22	24	26	28	30
"L"	16	18	20	22	24	26
"U"	12	14	16	18	20	22

**B89**

	10	11	12	13	14	15
"I"	1	1	1	1	1	1
"L"	1	1	1	1	1	1
"U"	1	1	1	1	1	1

**B95**

	10	11	12	13	14	15
"I"	3	3	3	3	3	3
"L"	3	3	3	3	3	3
"U"	3	3	3	3	3	3

**BL4**

	10	11	12	13	14	15
"I"	1	1	1	1	1	1
"L"	1	1	1	1	1	1
"U"	1	1	1	1	1	1

**BL5**

	10	11	12	13	14	15
"I"	32	36	40	44	48	52
"L"	32	36	40	44	48	52
"U"	32	36	40	44	48	52

**BL6**

	10	11	12	13	14	15
"I"	32	36	40	44	48	52
"L"	32	36	40	44	48	52
"U"	32	36	40	44	48	52

**BL7**

	10	11	12	13	14	15
"I"	16	18	20	22	24	26
"L"	16	18	20	22	24	26
"U"	16	18	20	22	24	26

**C03**

	10	11	12	13	14	15
"I"	18	20	22	24	26	28
"L"	14	16	18	20	22	24
"U"	10	12	14	16	18	20

**C13**

	10	11	12	13	14	15
"I"	27	30	33	36	39	42
"L"	21	24	27	30	33	36
"U"	16	19	22	25	28	31

**C43**

	10	11	12	13	14	15
"I"	6	6	6	6	6	6
"L"	6	6	6	6	6	6
"U"	6	6	6	6	6	6

**C49**

	10	11	12	13	14	15
"I"	3	3	3	3	3	3
"L"	3	3	3	3	3	3
"U"	5	5	5	5	5	5

**C50**

	10	11	12	13	14	15
"I"	3	3	3	3	3	3
"L"	3	3	3	3	3	3
"U"	5	5	5	5	5	5

**C54**

	10	11	12	13	14	15
"I"	21	23	25	27	29	31
"L"	15	17	19	21	23	25
"U"	9	11	13	15	17	19

**C57**

	10	11	12	13	14	15
"I"	94	104	114	124	134	144
"L"	82	92	102	112	122	132
"U"	72	82	92	102	112	122

**C58**

	10	11	12	13	14	15
"I"	5	5	5	5	5	5
"L"	5	5	5	5	5	5
"U"	5	5	5	5	5	5

**C59**

	10	11	12	13	14	15
"I"	19	21	23	25	27	29
"L"	13	15	17	19	21	23
"U"	7	9	11	13	15	17

**C81**

	10	11	12	13	14	15
"I"	2	2	2	2	2	2
"L"	2	2	2	2	2	2
"U"	2	2	2	2	2	2

**C83**

	10	11	12	13	14	15
"I"	2	2	2	2	2	2
"L"	2	2	2	2	2	2
"U"	2	2	2	2	2	2

**CF8**

	10	11	12	13	14	15
"I"	16	18	20	22	24	26
"L"	16	18	20	22	24	26
"U"	16	18	20	22	24	26

**D31**

	10	11	12	13	14	15
"I"	1	1	1	1	1	1
"L"	1	1	1	1	1	1
"U"	1	1	1	1	1	1

**D49**

	10	11	12	13	14	15
"I"	3	3	3	3	3	3
"L"	3	3	3	3	3	3
"U"	3	3	3	3	3	3

F08



	10	11	12	13	14	15
"I"	6	6	6	6	6	6
"L"	6	6	6	6	6	6
"U"	10	10	10	10	10	10

F09



	10	11	12	13	14	15
"I"	1	1	1	1	1	1
"L"	1	1	1	1	1	1
"U"	1	1	1	1	1	1

F12



	10	11	12	13	14	15
"I"	2	2	2	2	2	2
"L"	2	2	2	2	2	2
"U"	2	2	2	2	2	2

F20



	10	11	12	13	14	15
"I"	4	4	4	4	4	4
"L"	4	4	4	4	4	4
"U"	4	4	4	4	4	4

F23



	10	11	12	13	14	15
"I"	25	28	31	34	37	40
"L"	19	22	25	28	31	34
"U"	14	17	20	23	26	29

F27



	10	11	12	13	14	15
"I"	2	2	2	2	2	2
"L"	2	2	2	2	2	2
"U"	2	2	2	2	2	2

F28



	10	11	12	13	14	15
"I"	2	2	2	2	2	2
"L"	2	2	2	2	2	2
"U"	2	2	2	2	2	2

F29



	10	11	12	13	14	15
"I"	2	2	2	2	2	2
"L"	2	2	2	2	2	2
"U"	2	2	2	2	2	2

F34



	10	11	12	13	14	15
"I"	2	2	2	2	2	2
"L"	2	2	2	2	2	2
"U"	2	2	2	2	2	2

G08



	10	11	12	13	14	15
"I"	1	1	1	1	1	1
"L"	1	1	1	1	1	1
"U"	1	1	1	1	1	1

L46



	10	11	12	13	14	15
"I"	9	10	11	12	13	14
"L"	6	7	8	9	10	11
"U"	3	4	5	6	7	8

L47



	10	11	12	13	14	15
"I"	0	0	0	0	0	0
"L"	1	1	1	1	1	1
"U"	2	2	2	2	2	2

L48



	10	11	12	13	14	15
"I"	0	0	0	0	0	0
"L"	1	1	1	1	1	1
"U"	2	2	2	2	2	2

L49



	10	11	12	13	14	15
"I"	0	0	0	0	0	0
"L"	1	1	1	1	1	1
"U"	2	2	2	2	2	2

N31



	10	11	12	13	14	15
"I"	8	9	10	11	12	13
"L"	8	9	10	11	12	13
"U"	8	9	10	11	12	13

N32



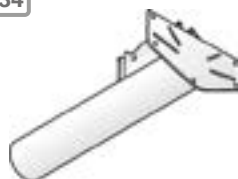
	10	11	12	13	14	15
"I"	1	1	1	1	1	1
"L"	1	1	1	1	1	1
"U"	1	1	1	1	1	1

N33



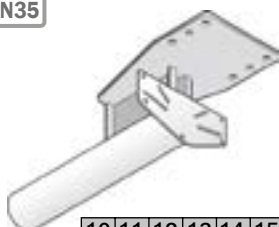
	10	11	12	13	14	15
"I"	1	1	1	1	1	1
"L"	1	1	1	1	1	1
"U"	1	1	1	1	1	1

N34



	10	11	12	13	14	15
"I"	6	7	8	9	10	11
"L"	6	7	8	9	10	11
"U"	6	7	8	9	10	11

N35

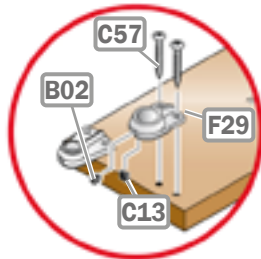
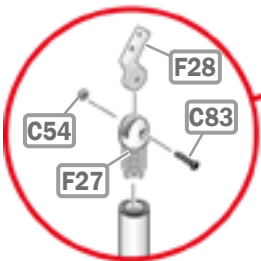
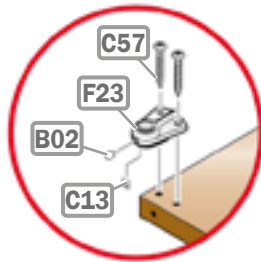
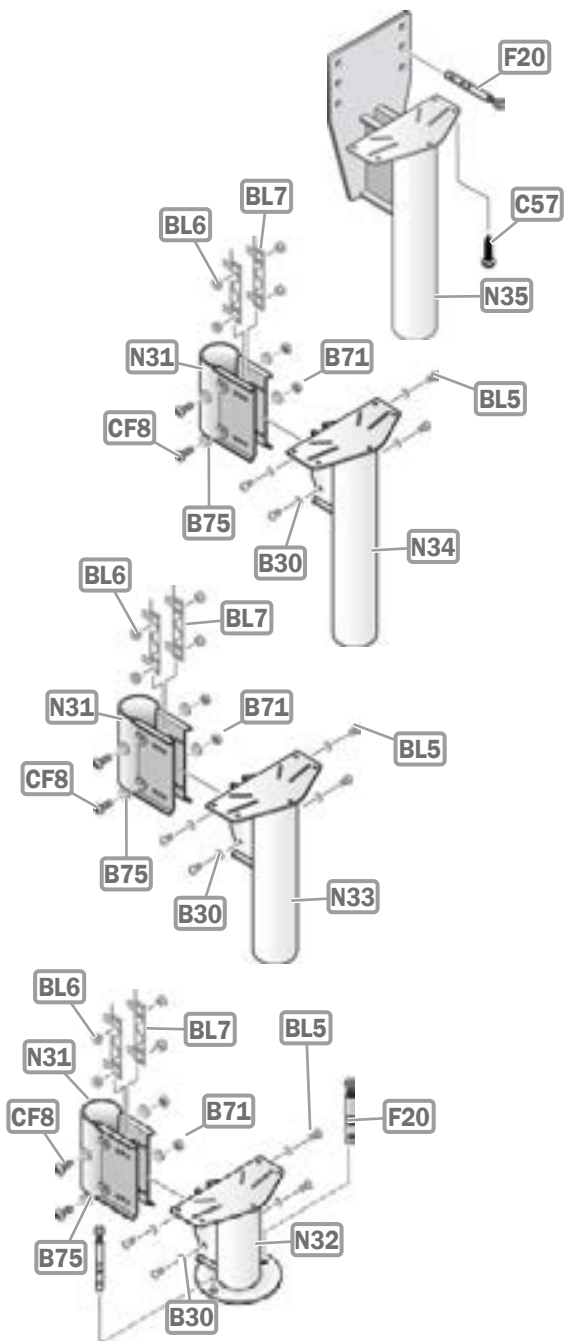


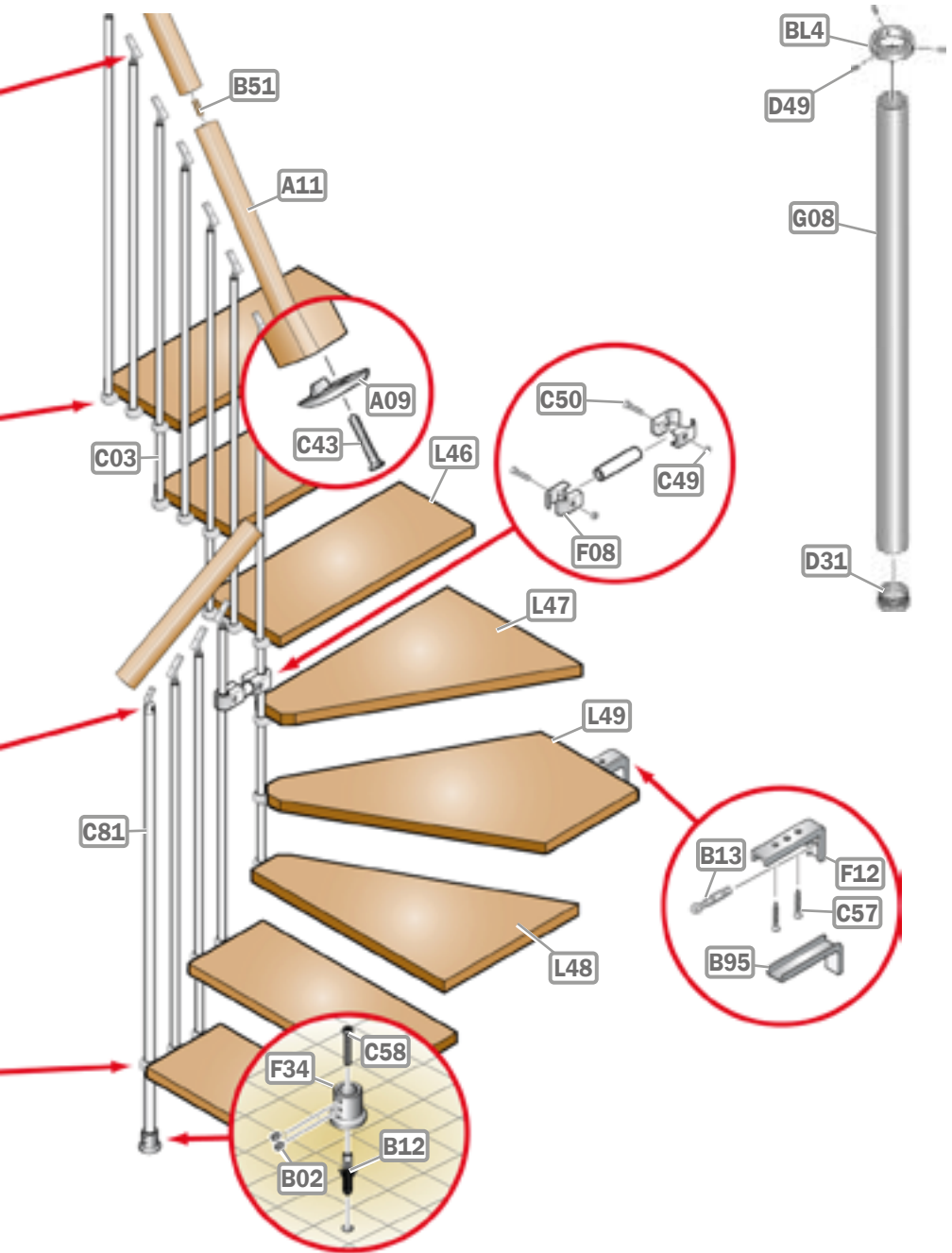
	10	11	12	13	14	15
"I"	1	1	1	1	1	1
"L"	1	1	1	1	1	1
"U"	1	1	1	1	1	1

B68

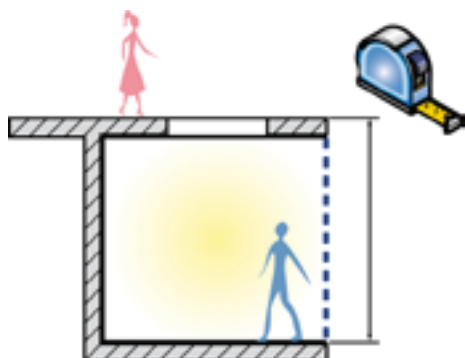
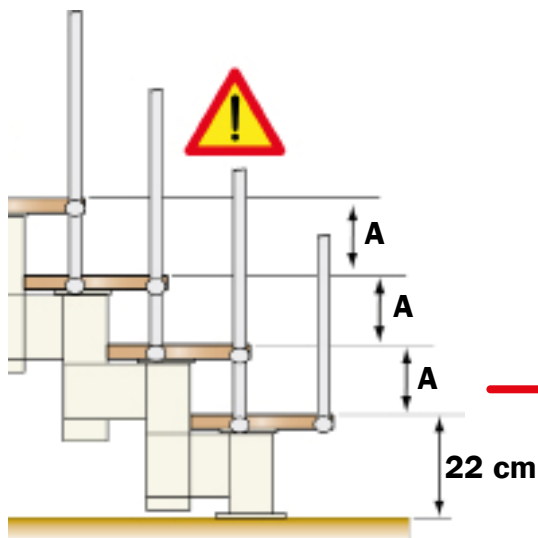


	10	11	12	13	14	15
"I"	1	1	1	1	1	1
"L"	1	1	1	1	1	1
"U"	1	1	1	1	1	1





4



10 (N) → H = 193 ÷ 234 cm

11 (N) → H = 212 ÷ 257 cm

12 (N) → H = 231 ÷ 281 cm

13 (N) → H = 250 ÷ 304 cm

14 (N) → H = 269 ÷ 328 cm

15 (N) → H = 288 ÷ 351 cm



10 (N)



11 (N)



12 (N)



13 (N)



14 (N)

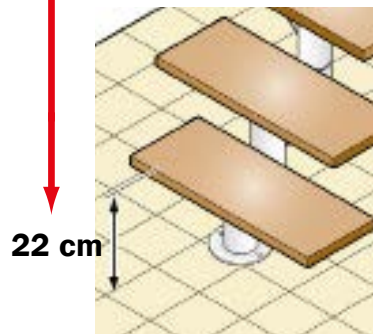
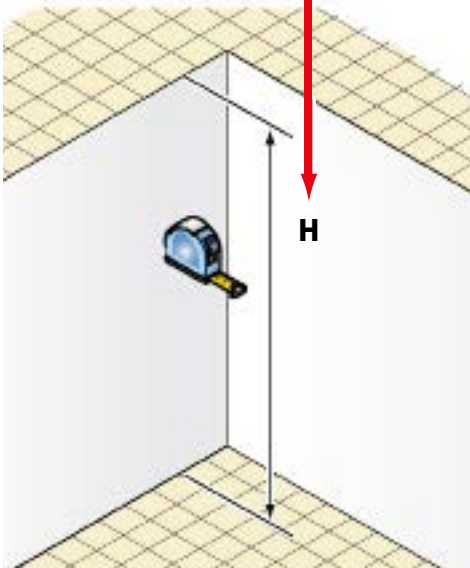


15 (N)

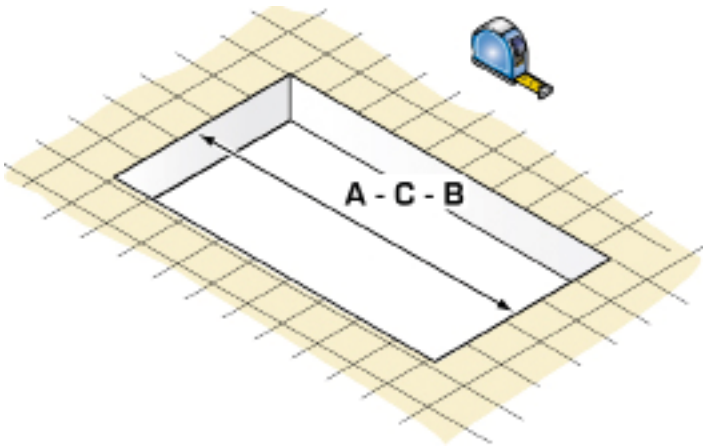


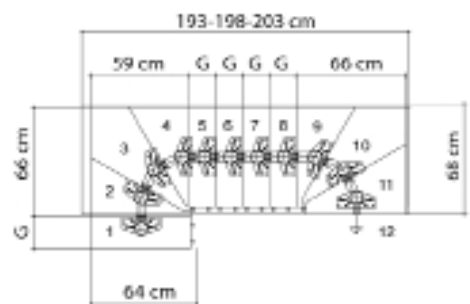
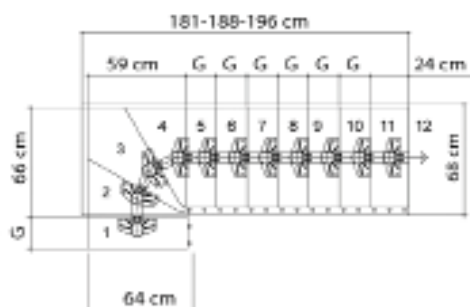
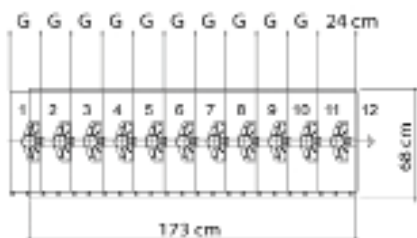
$A = H - 22 \text{ cm} / N - 1$

$(A = 19 \div 23,5 \text{ cm})$



5



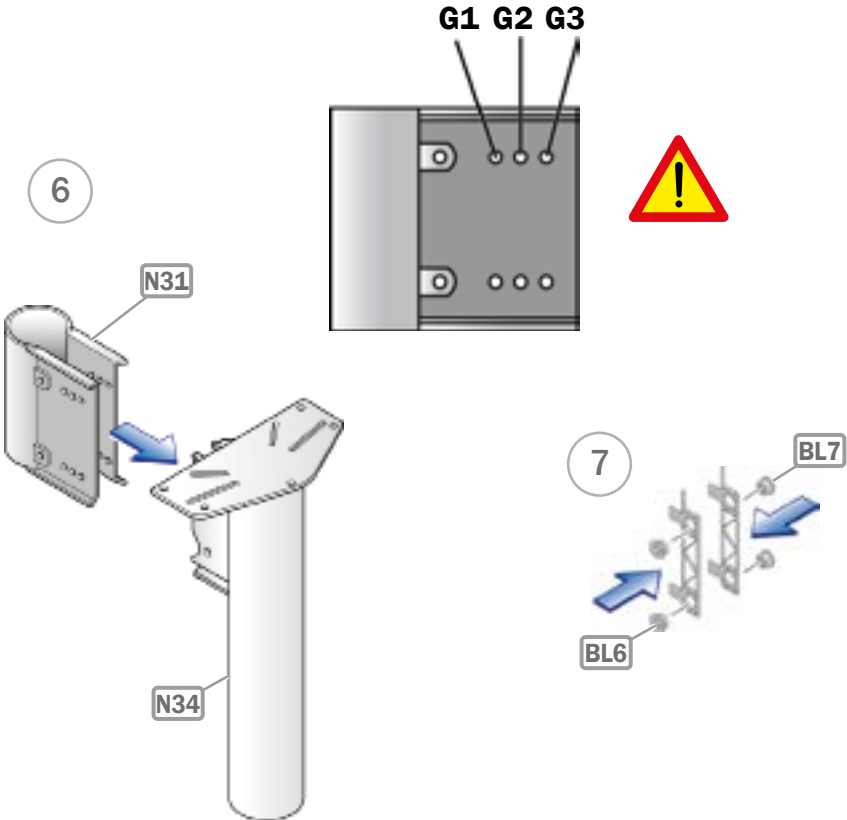
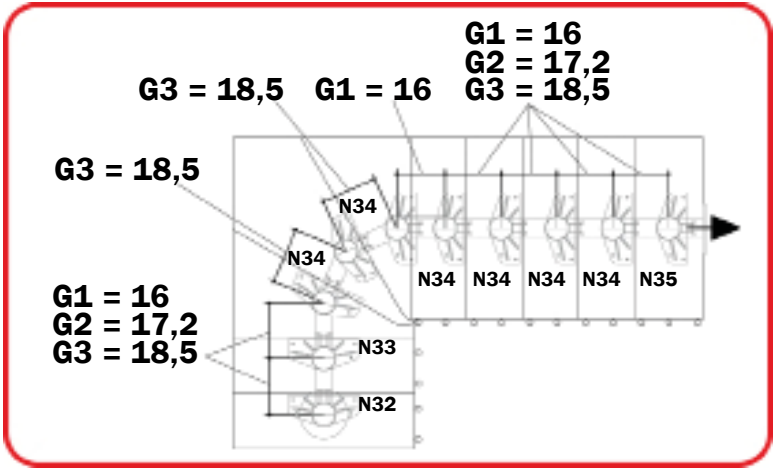


**G = 16 cm**  
**G = 17,2 cm**  
**G = 18,5 cm**

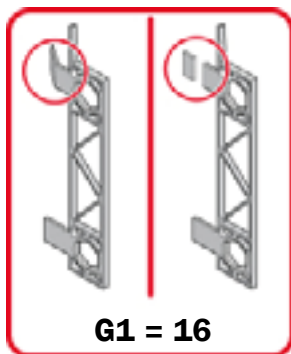


16

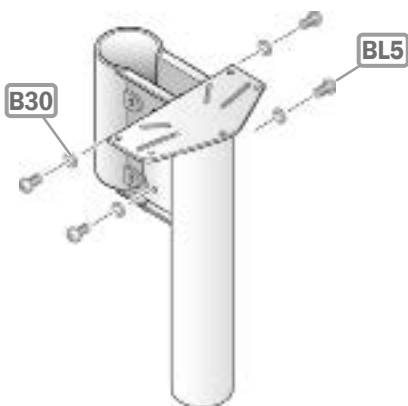
pratique 4



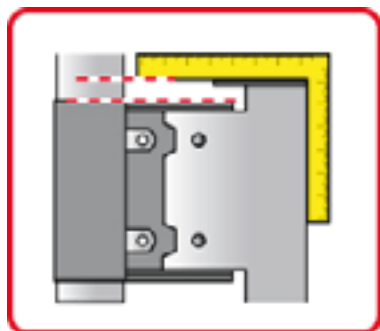
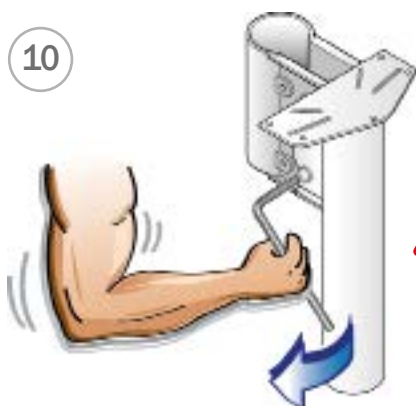
8



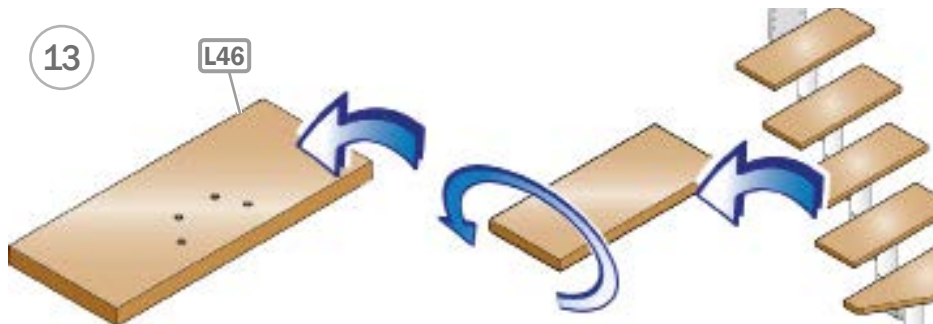
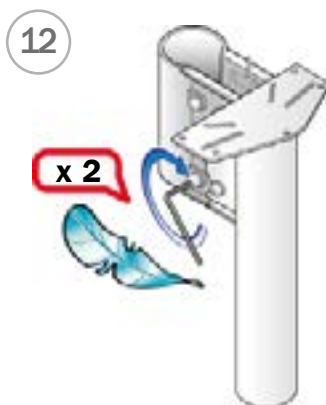
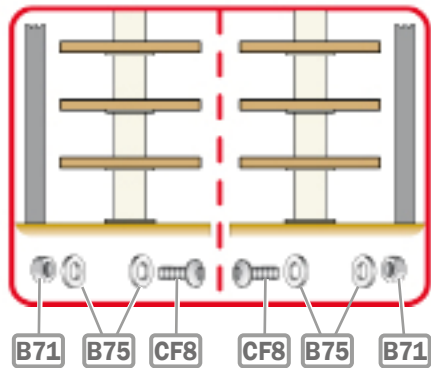
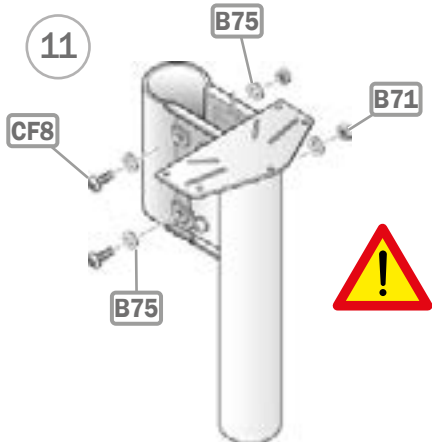
9

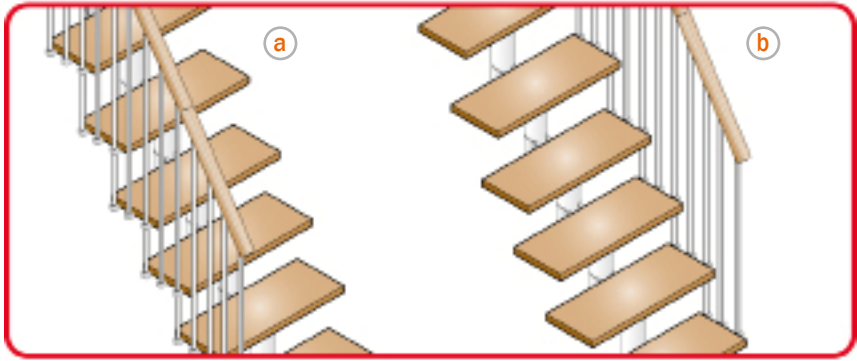


10

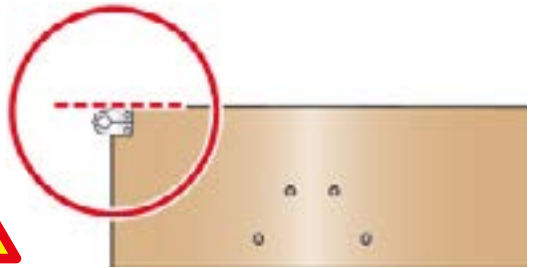
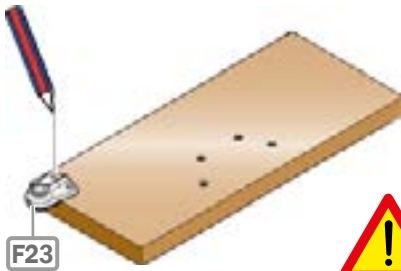


pratique 4

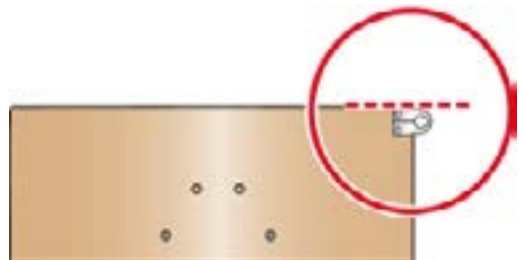
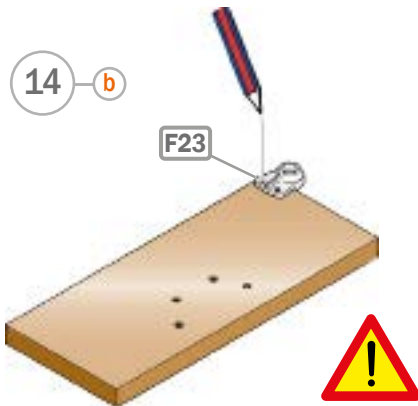




14 a

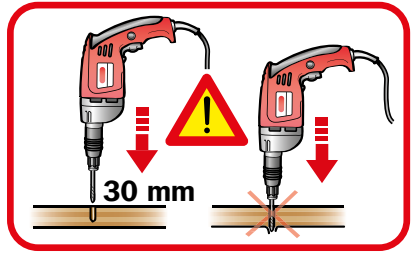
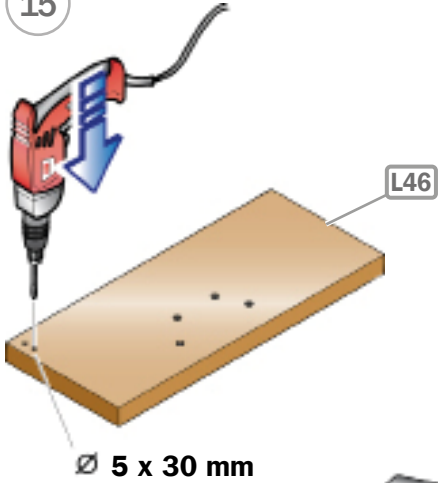


14 b

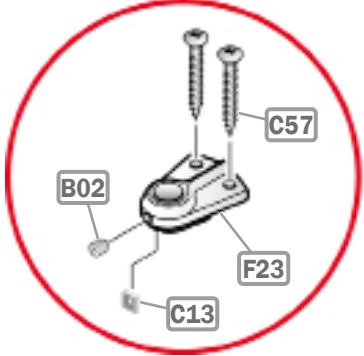
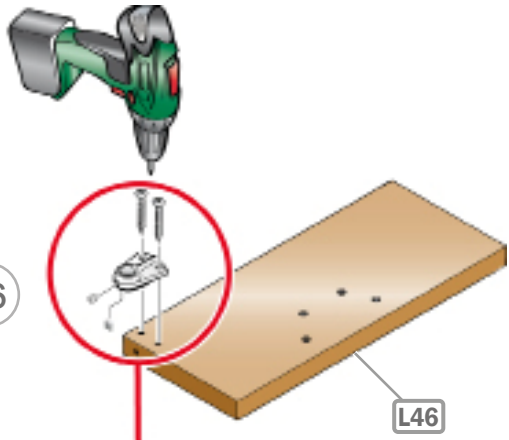


pratique 4

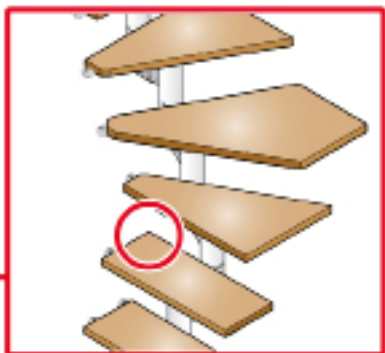
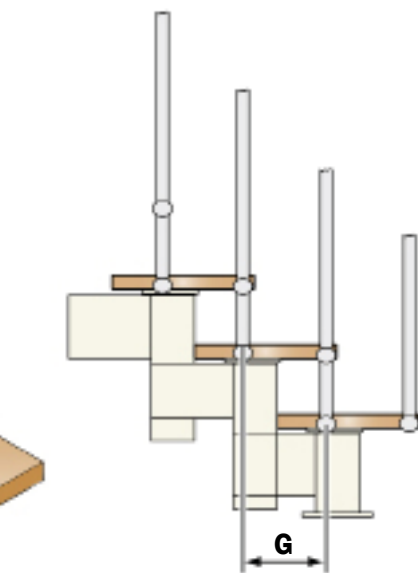
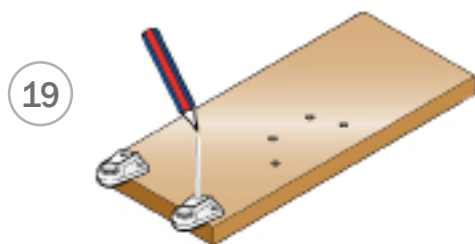
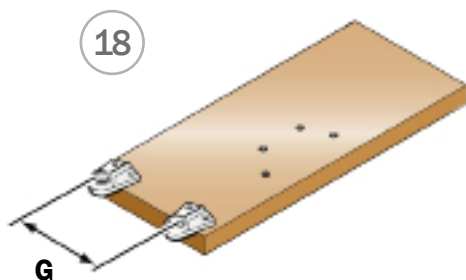
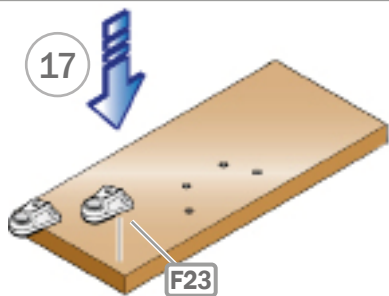
15



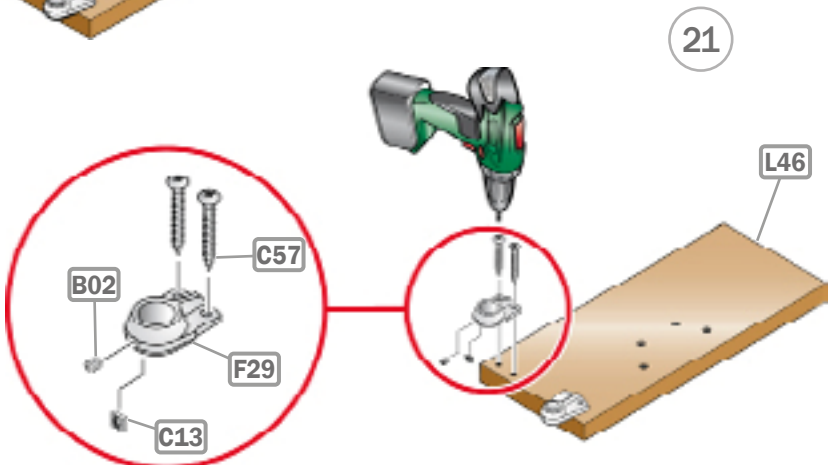
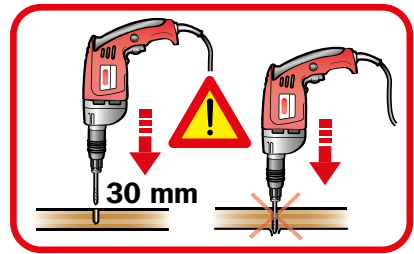
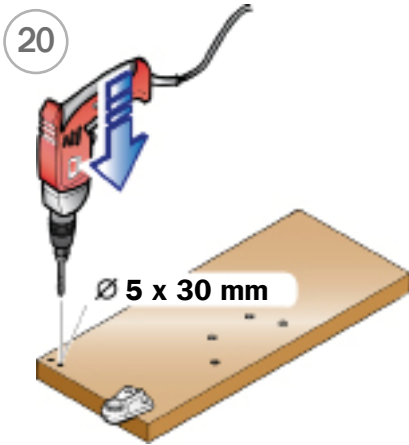
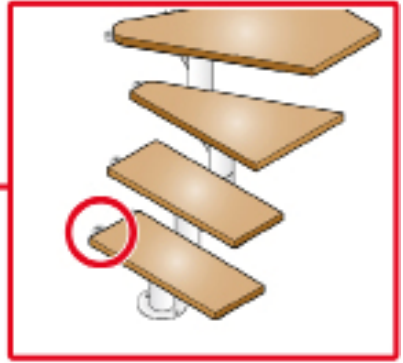
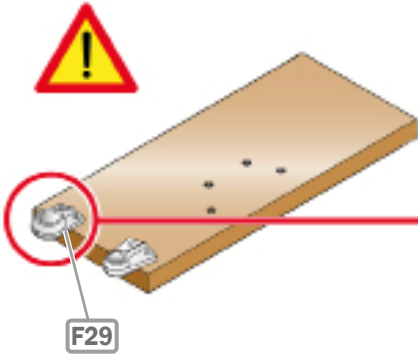
16

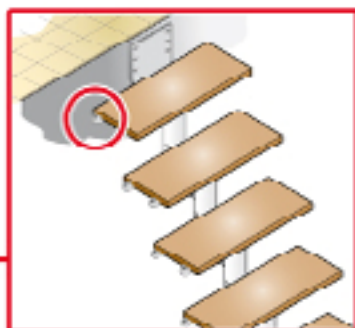
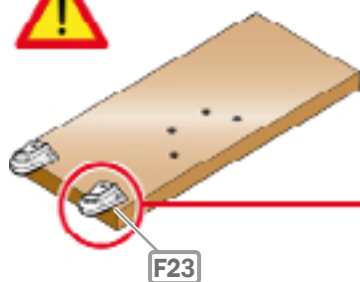




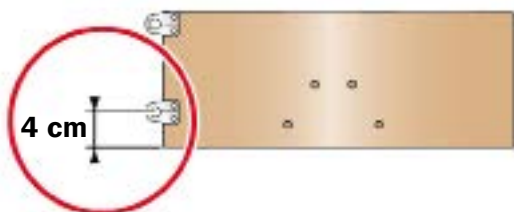
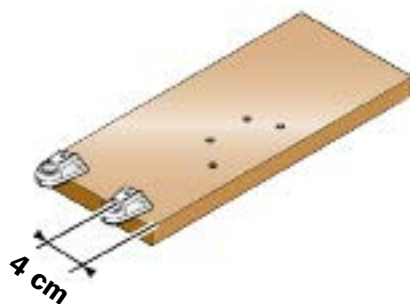
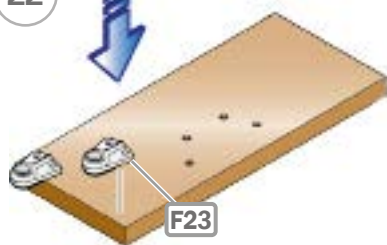


pratique 4



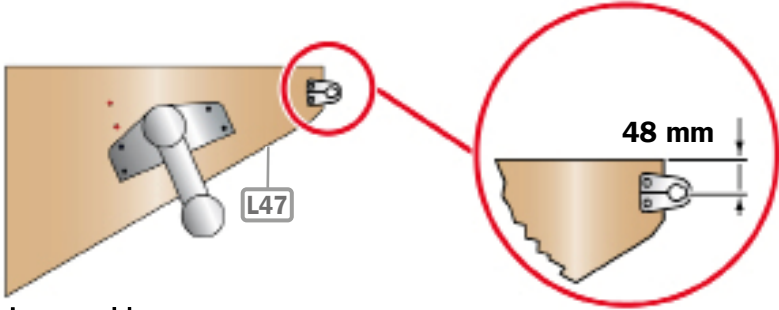
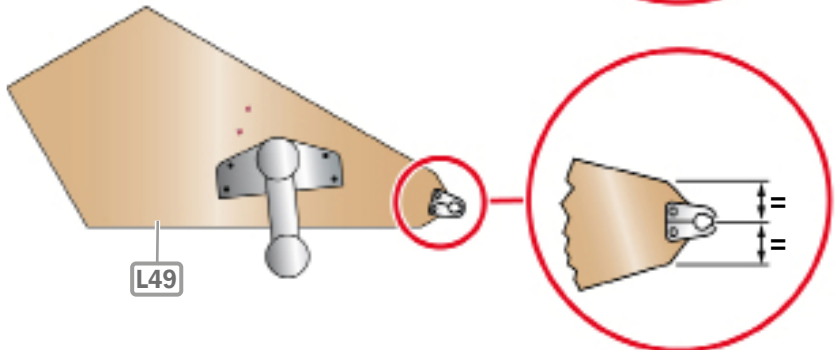
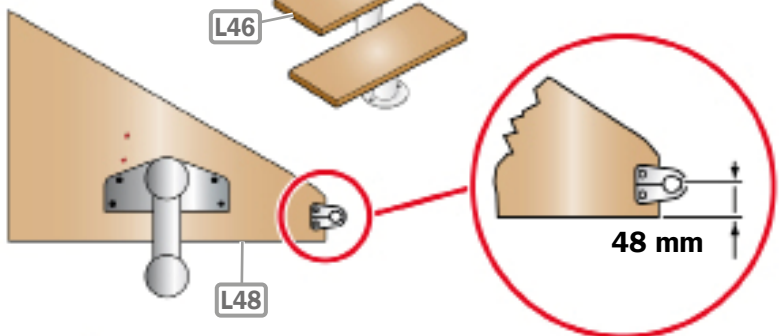
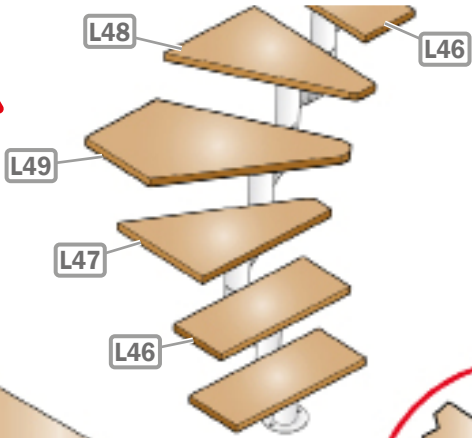


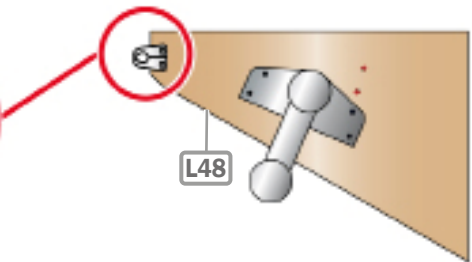
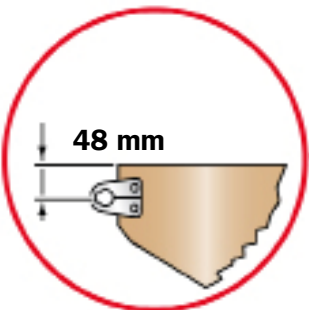
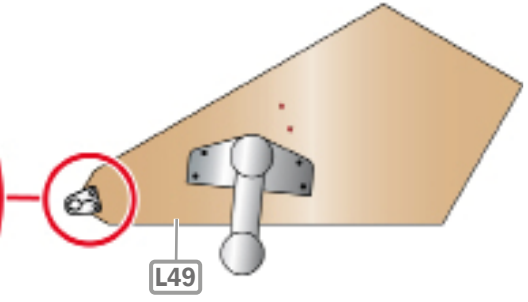
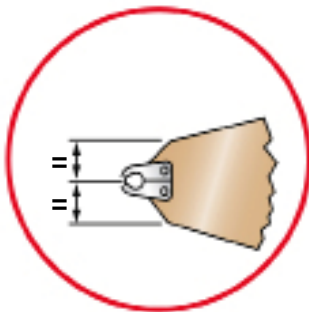
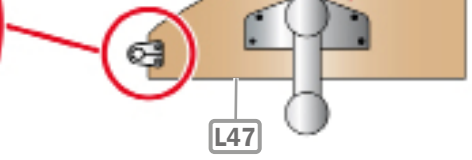
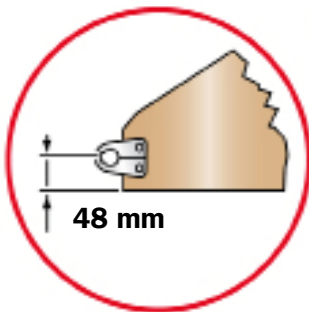
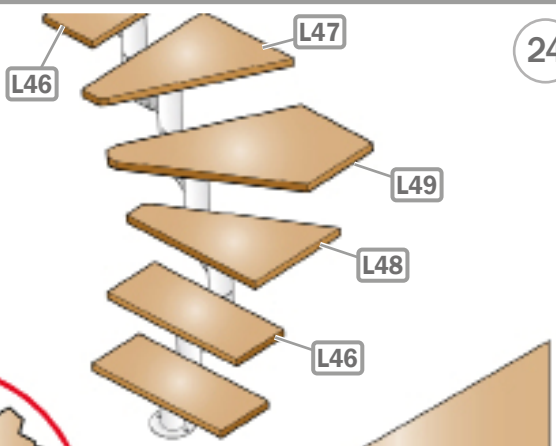
22

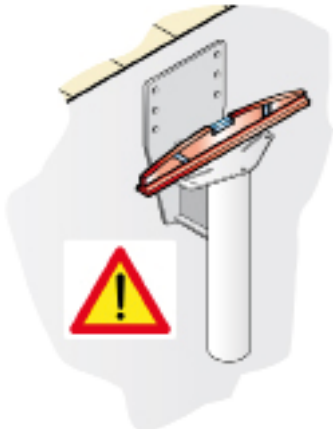




23



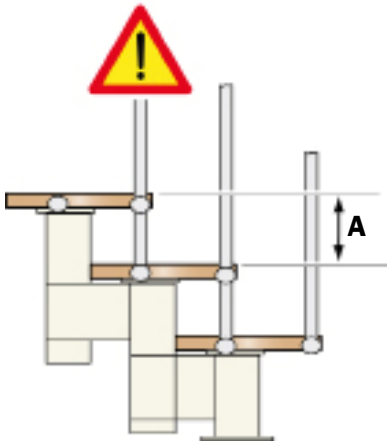
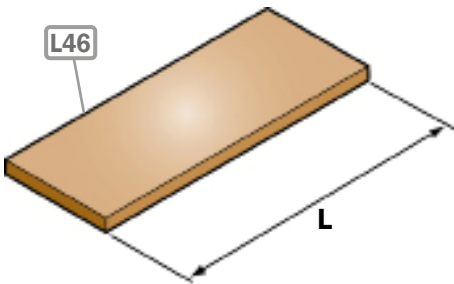
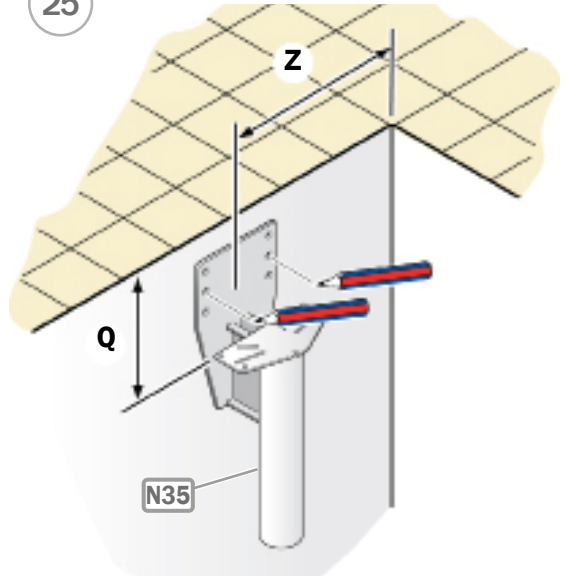




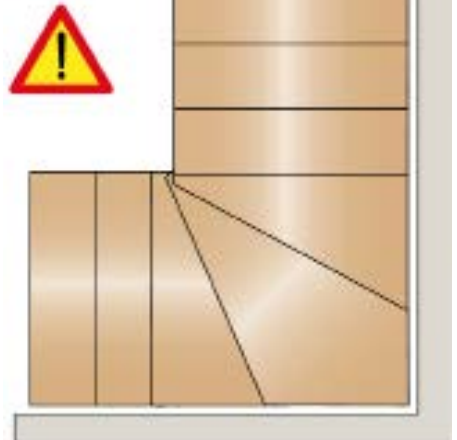
$$Q = A + 3,5 \text{ cm}$$

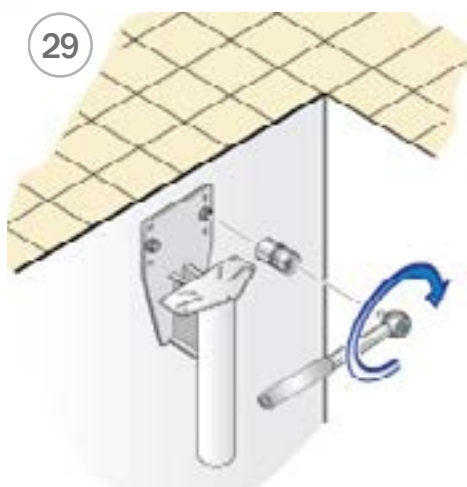
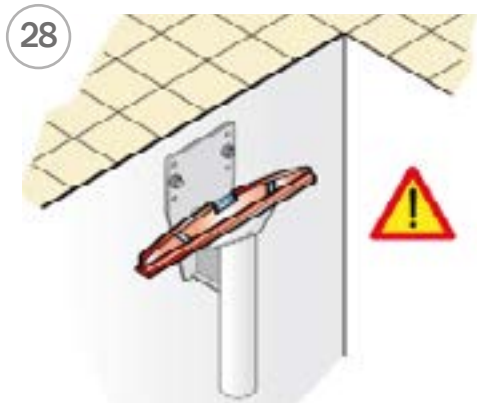
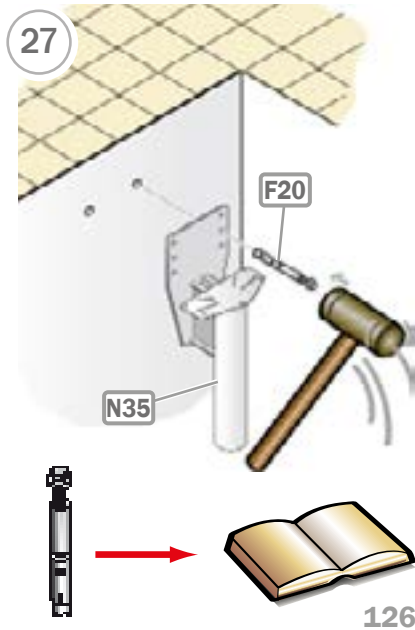
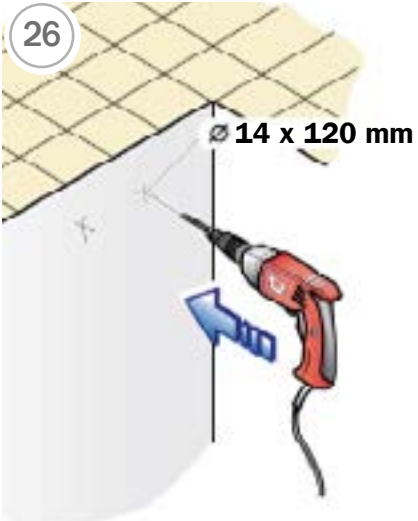
25

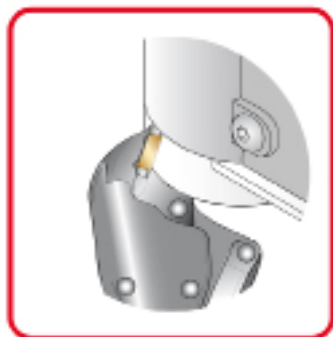
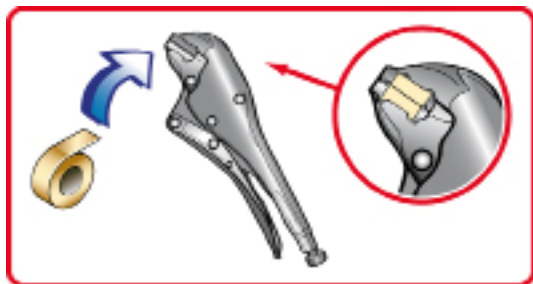
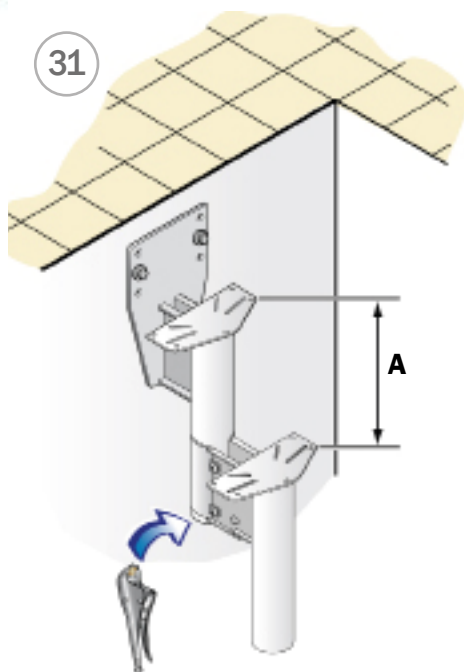
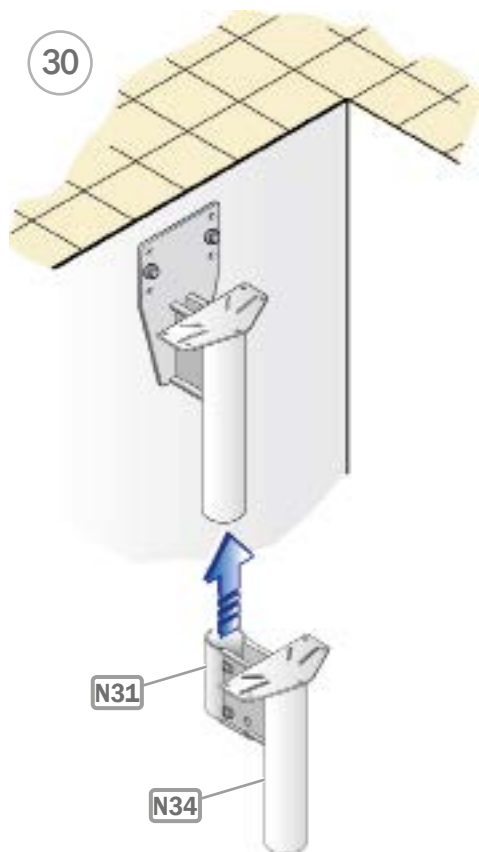
$$Z = L/2 + X$$



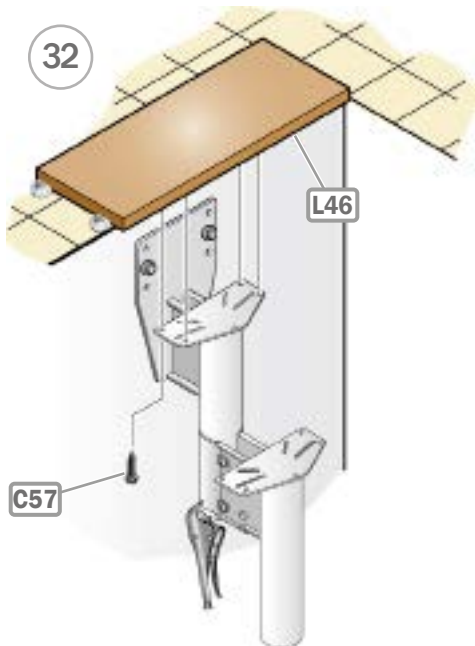
$$X = 2 \div 6 \text{ cm}$$



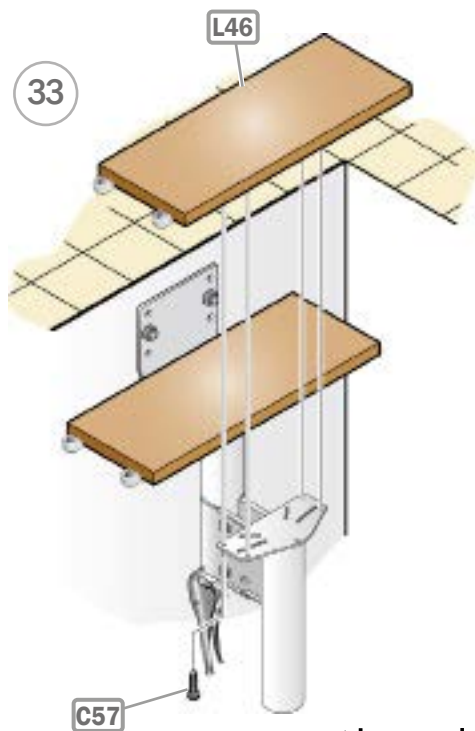




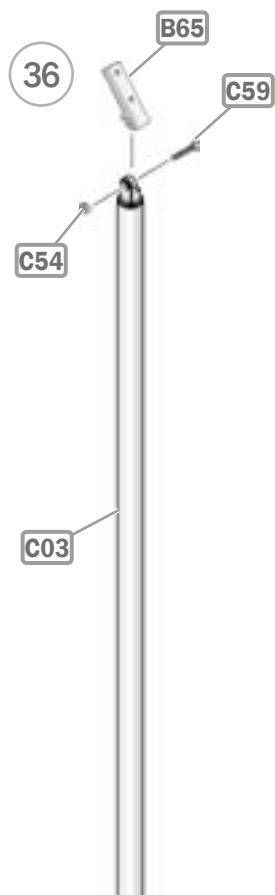
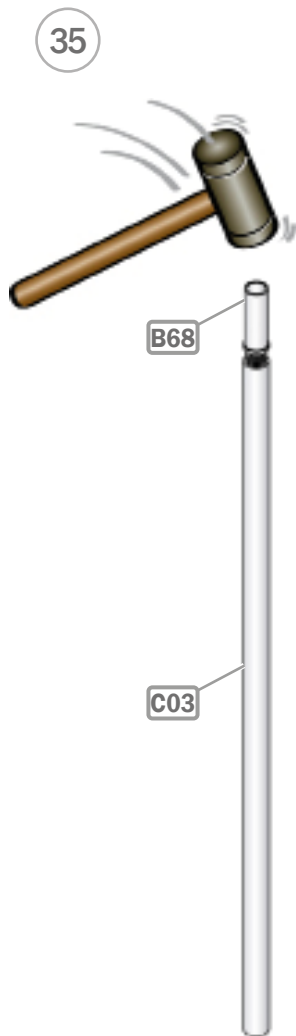
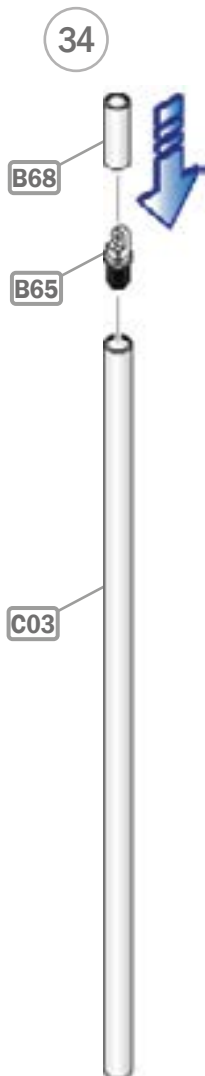


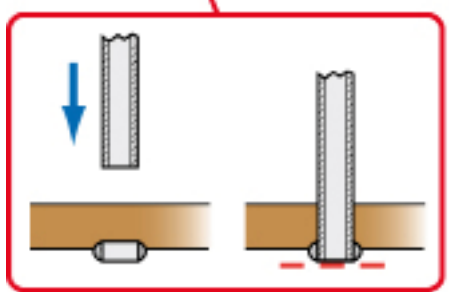
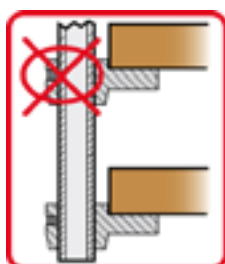
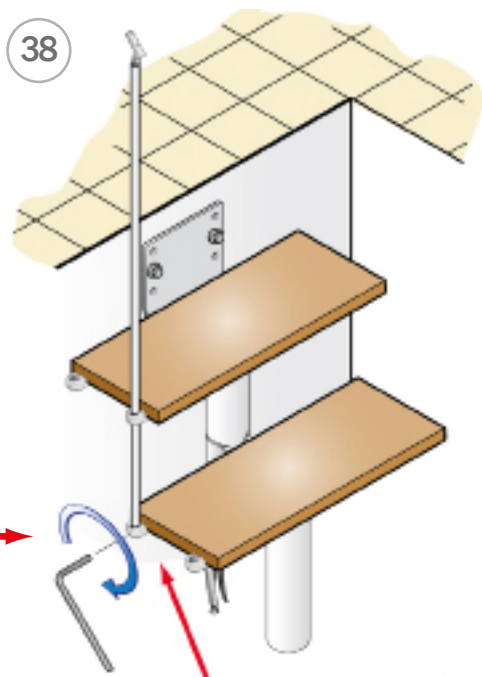
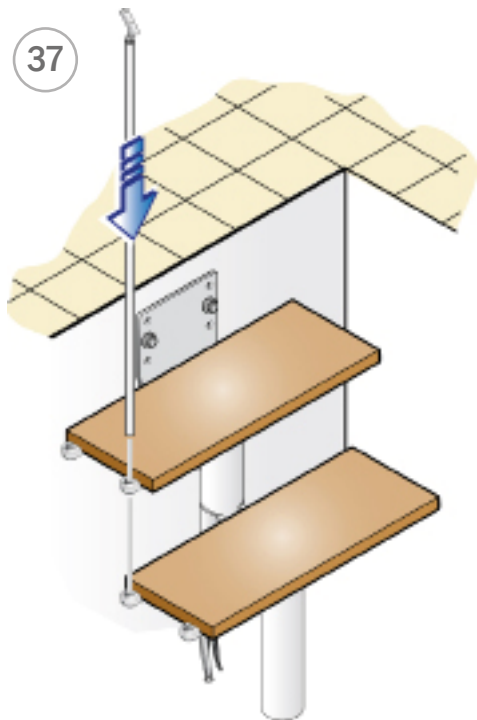


23

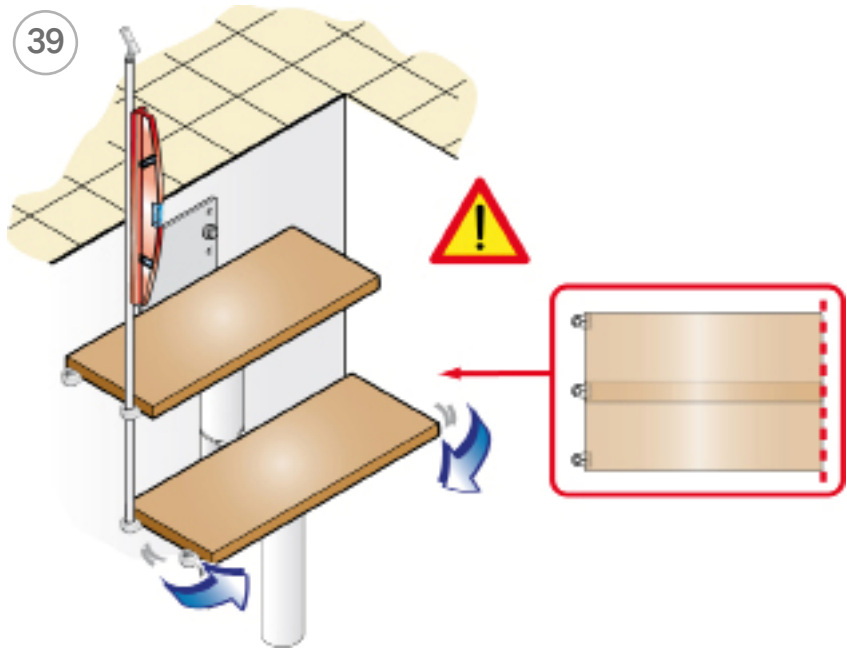


pratique 4

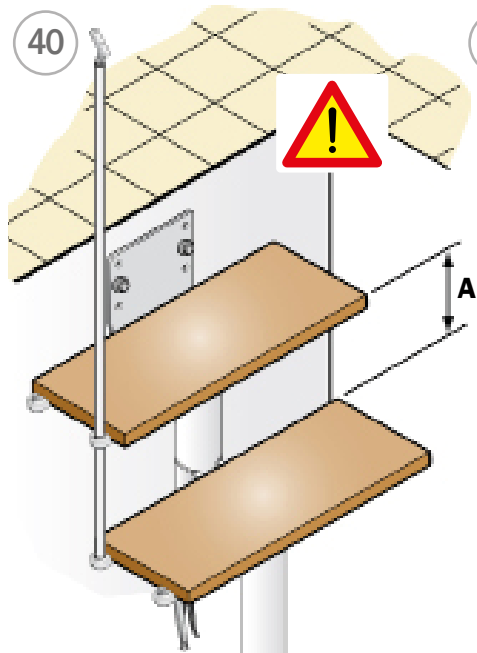




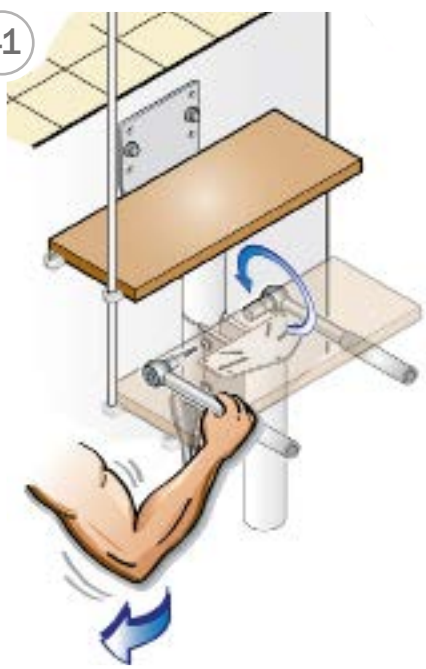
39



40

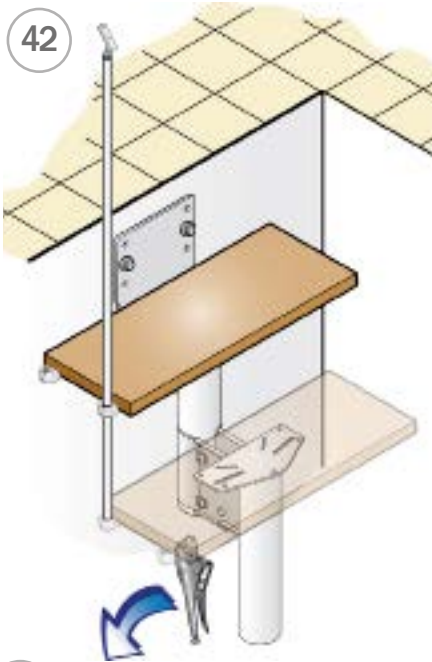


41

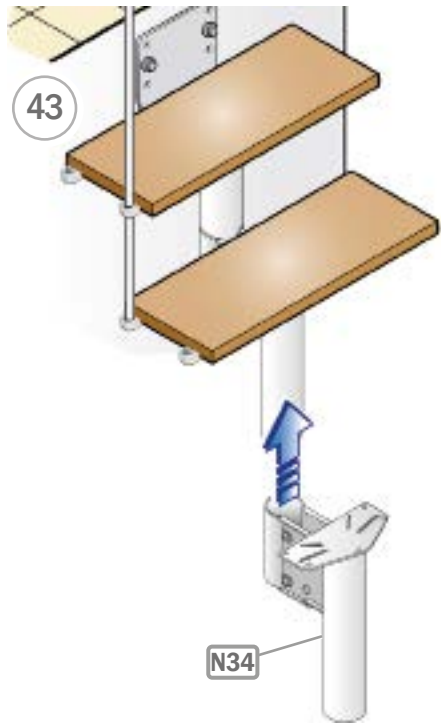


pratique 4

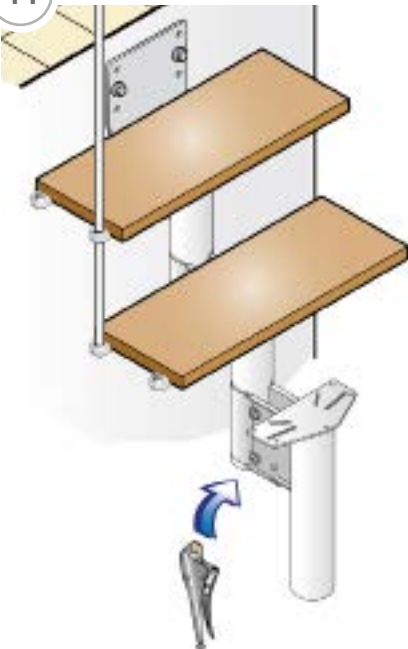
42



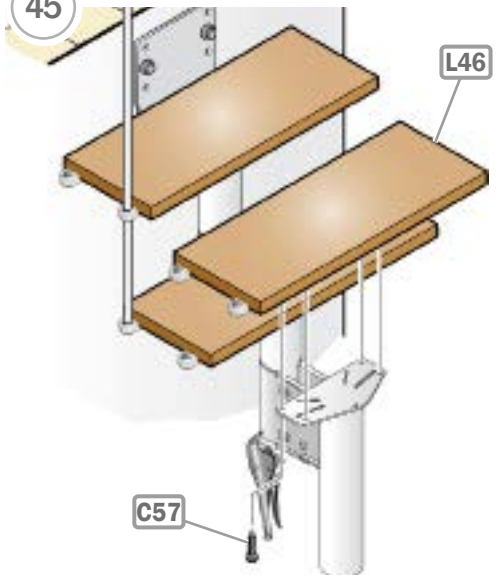
43



44

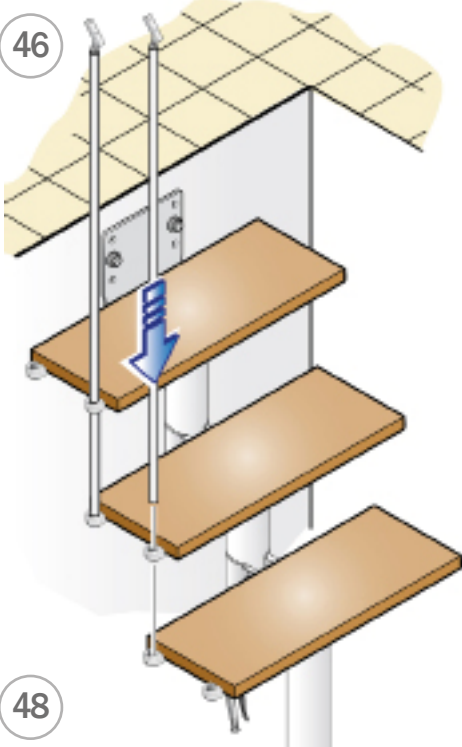


45

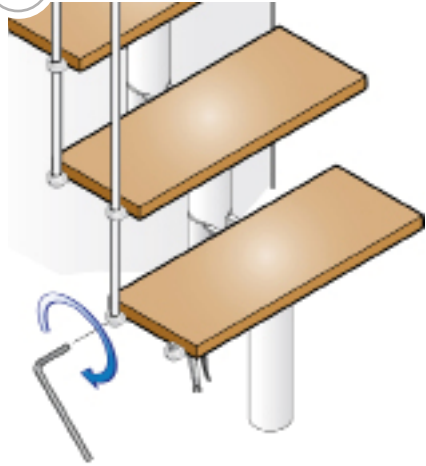


pratique 4

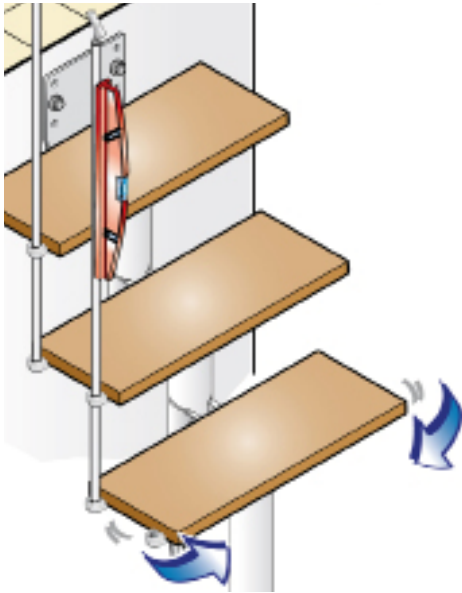
46



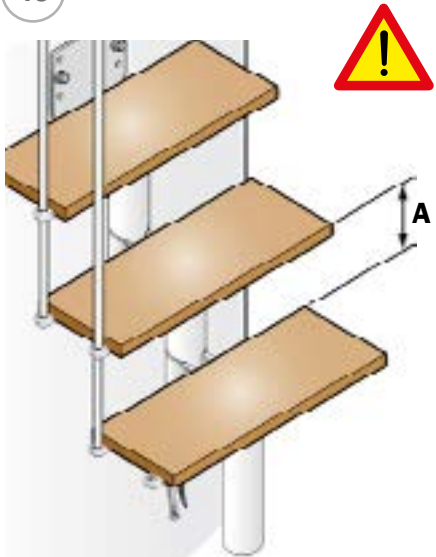
47

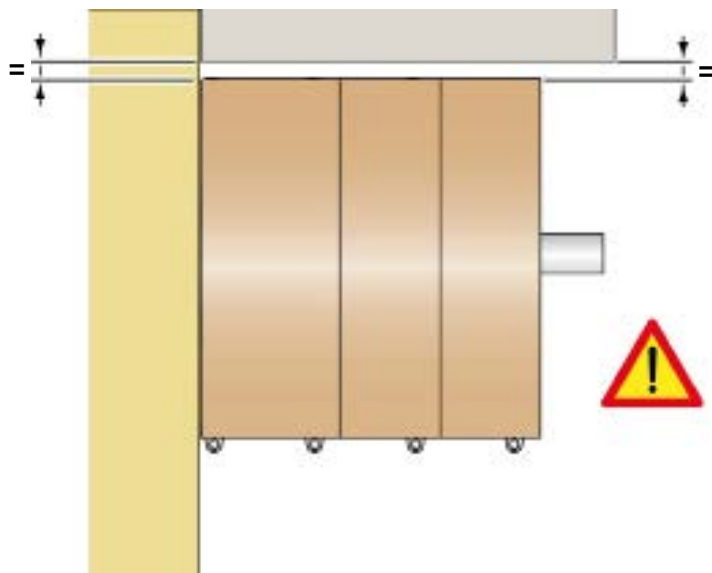


48

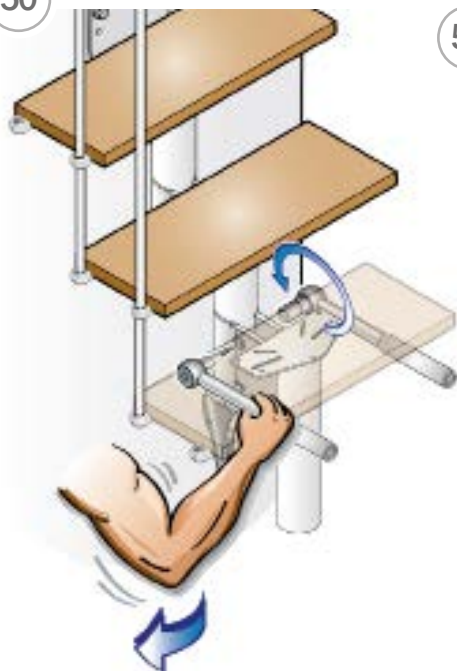


49

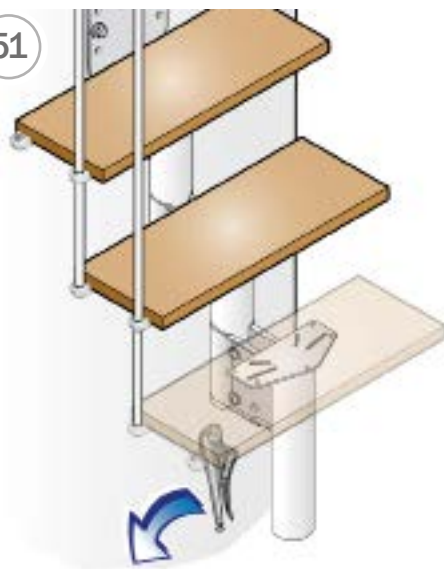




50

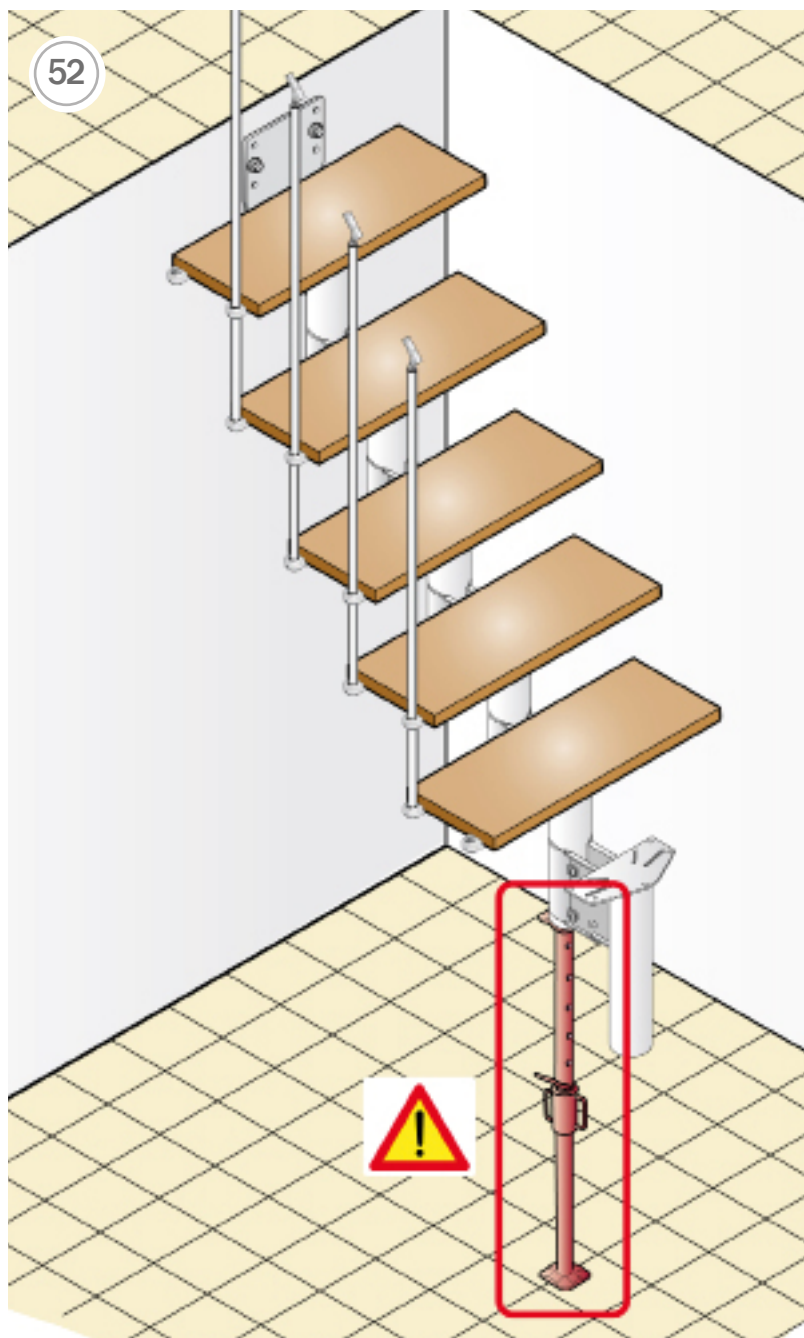


51

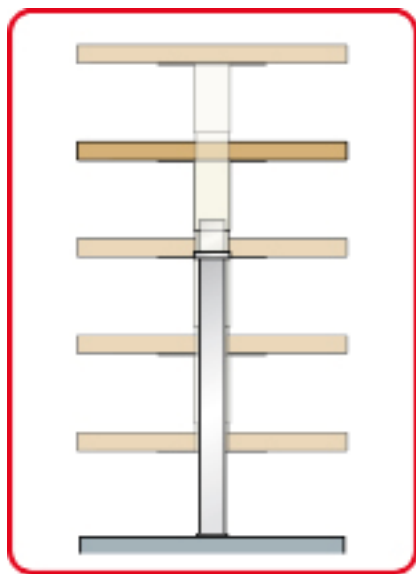
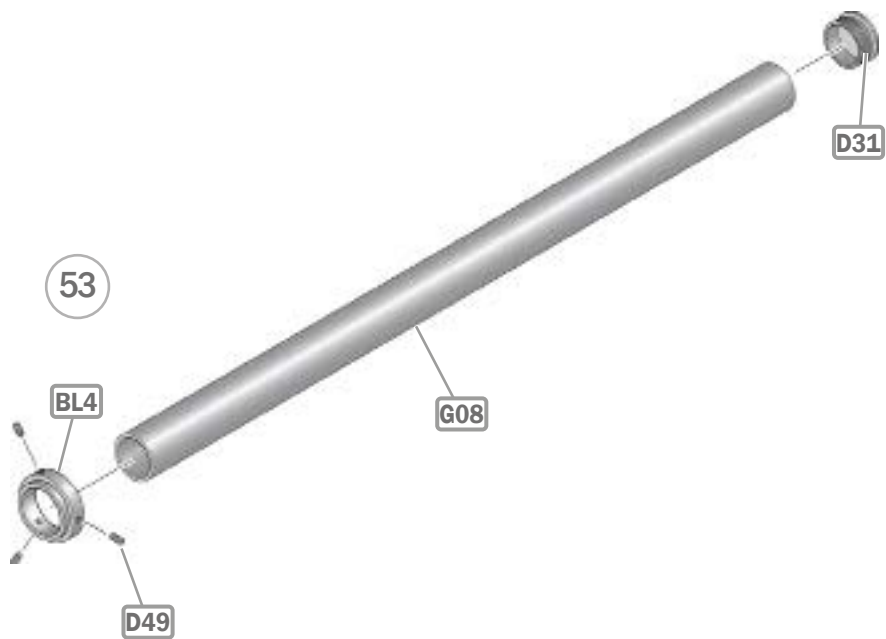


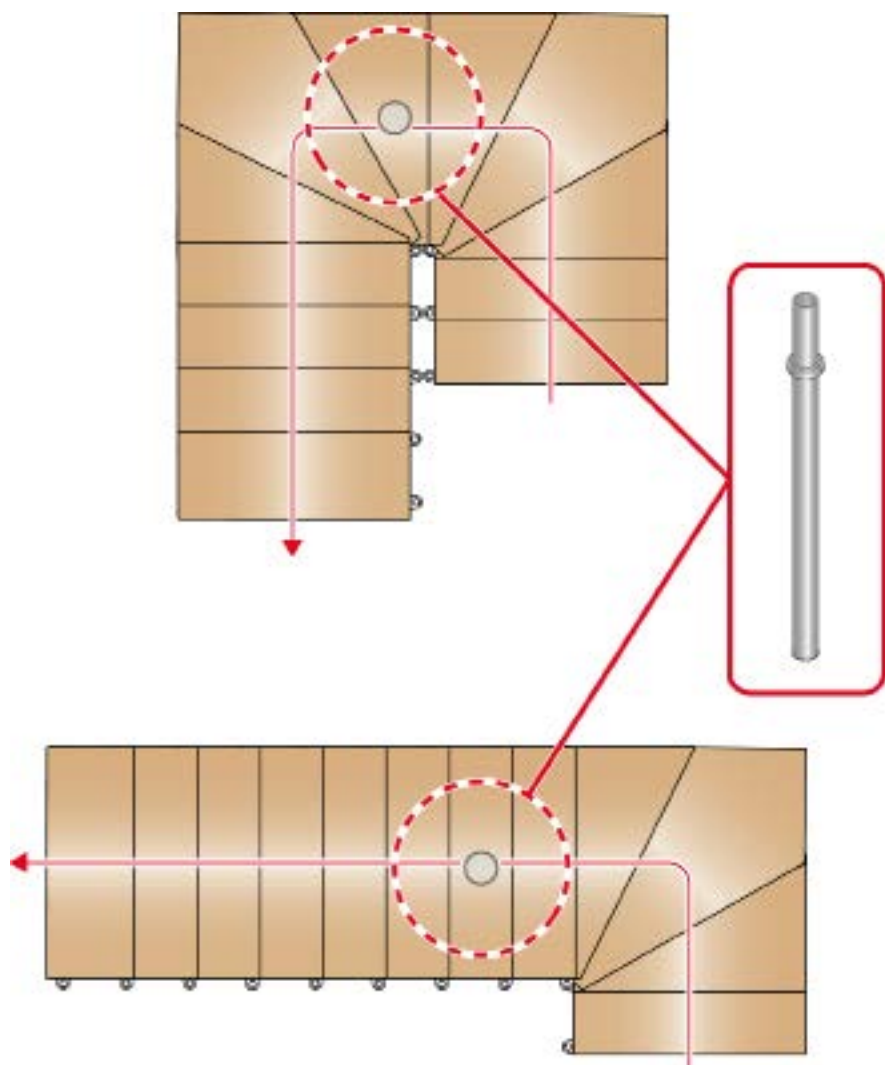
pratique 4

52





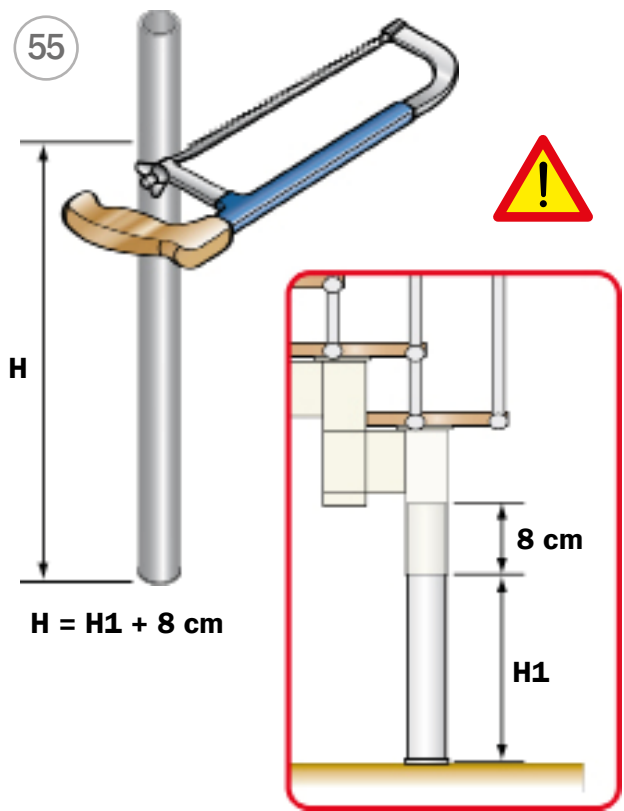




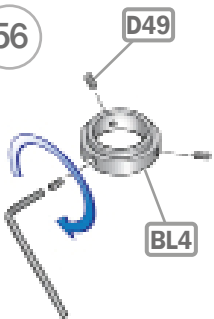
54



55



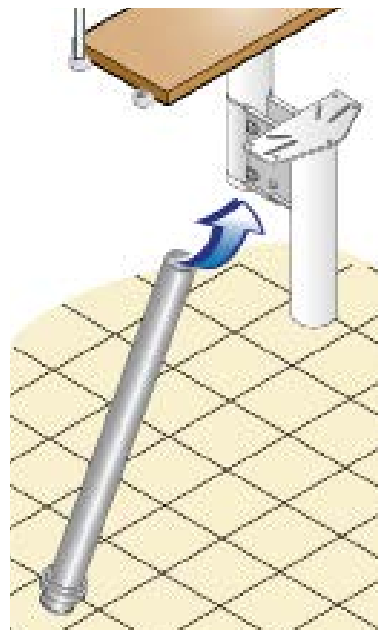
56



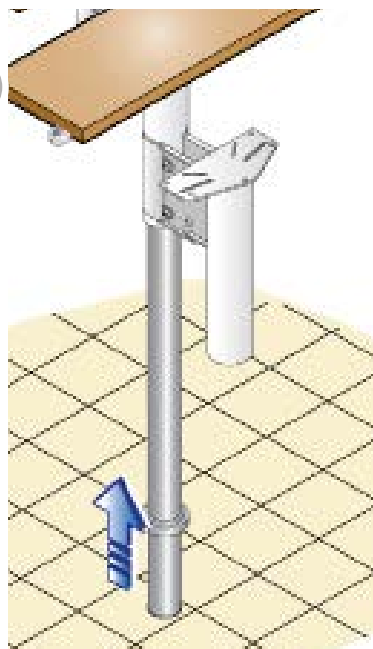
57



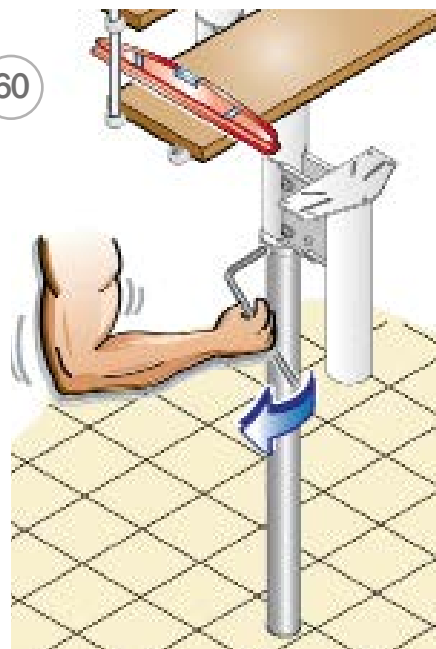
58



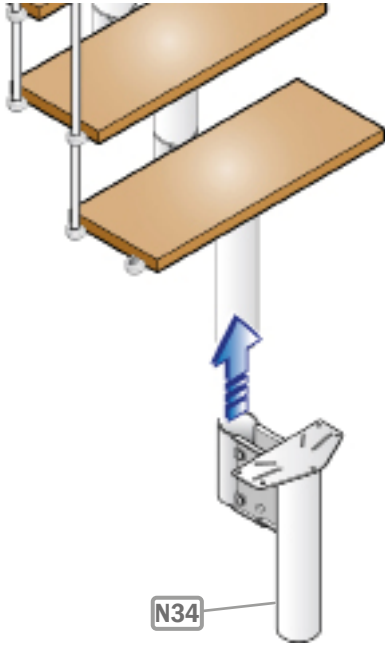
59



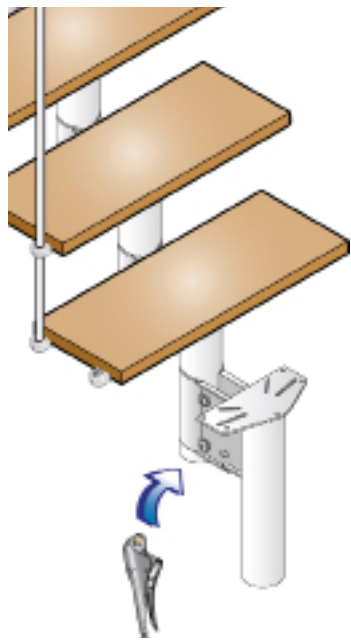
60



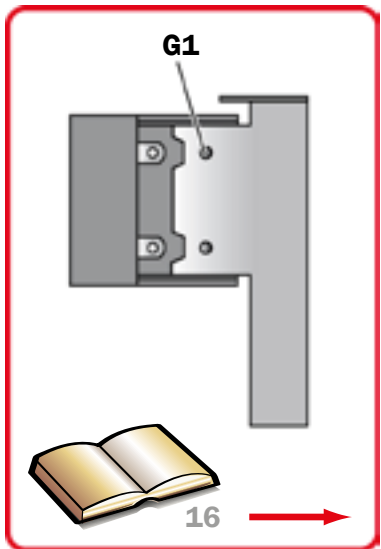
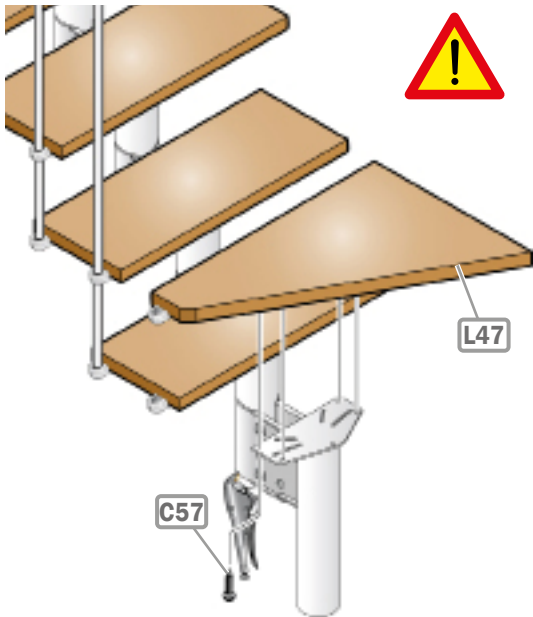
61



62

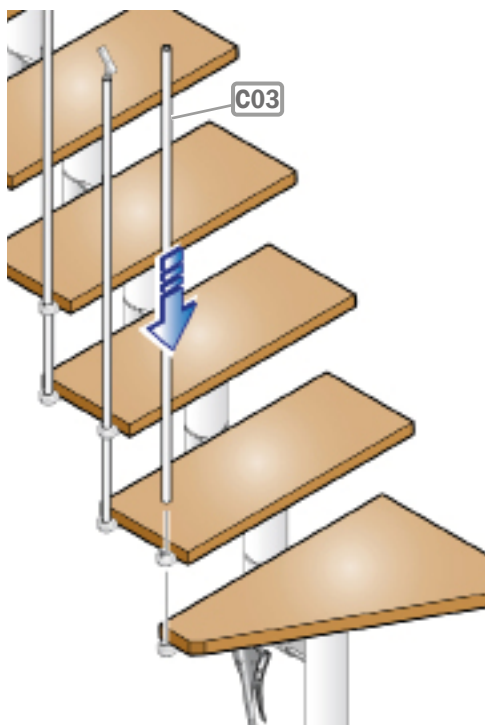


63

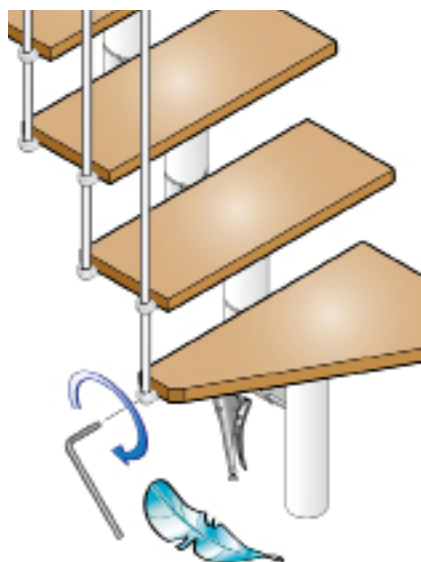


pratique 4

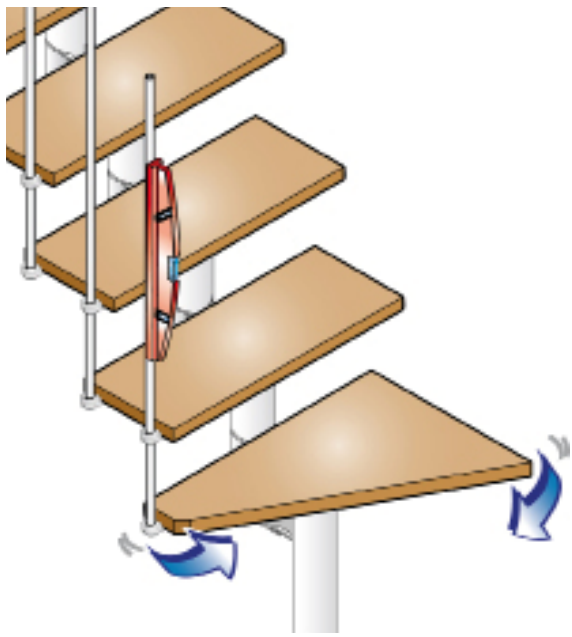
64



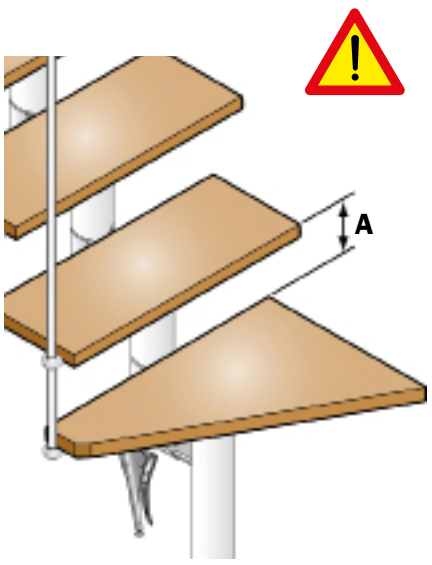
65



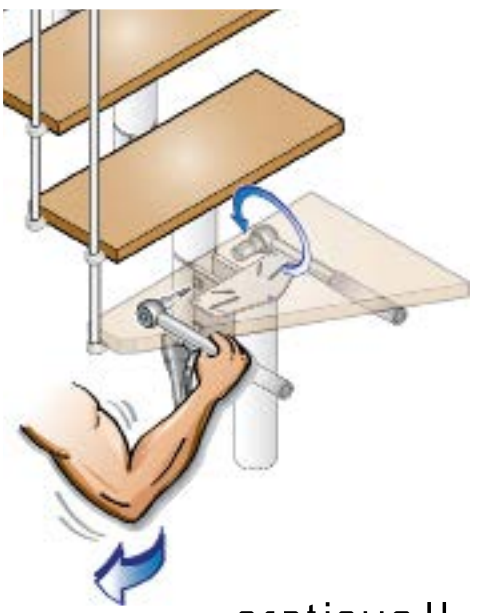
66



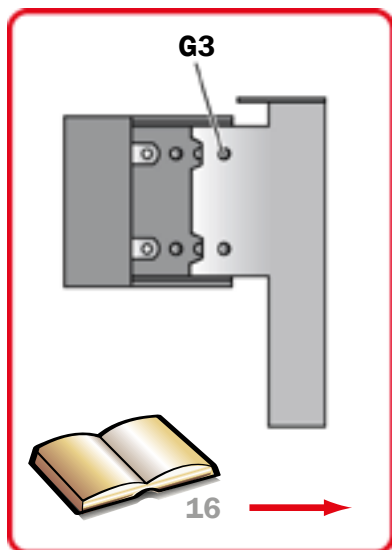
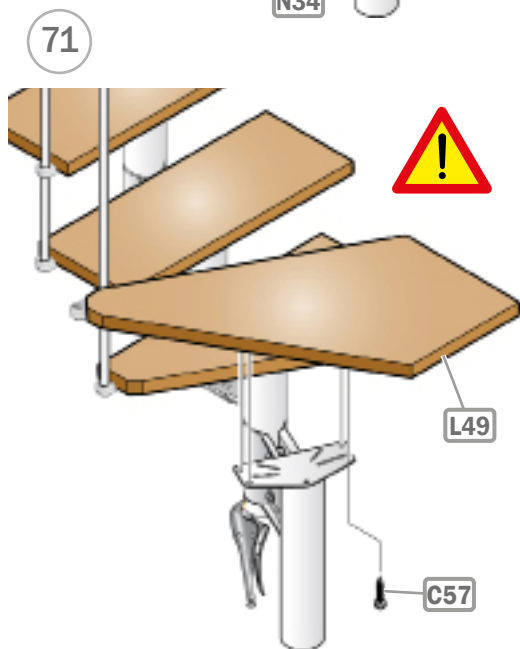
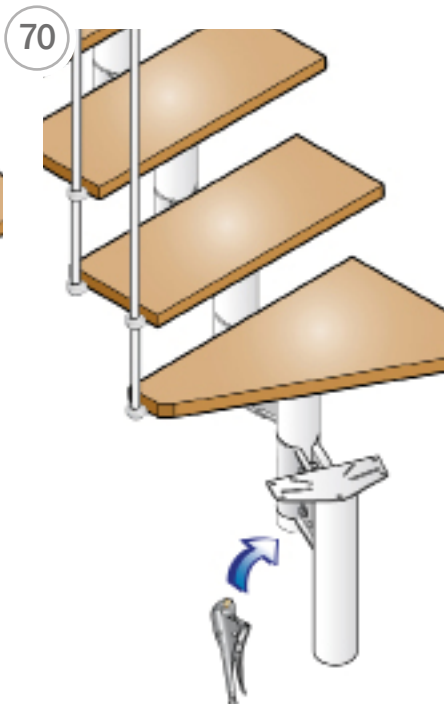
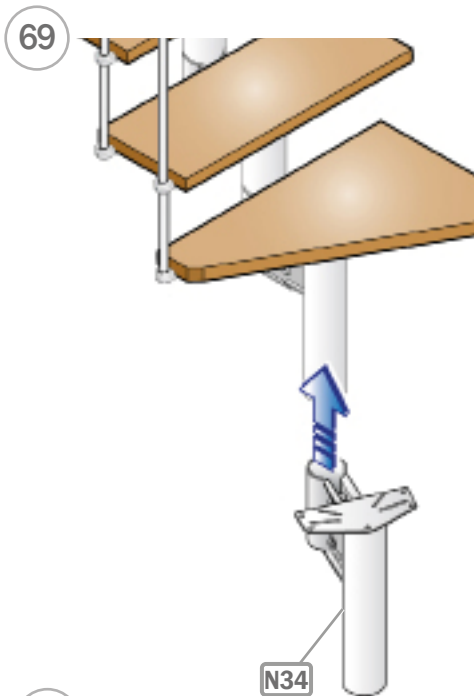
67



68

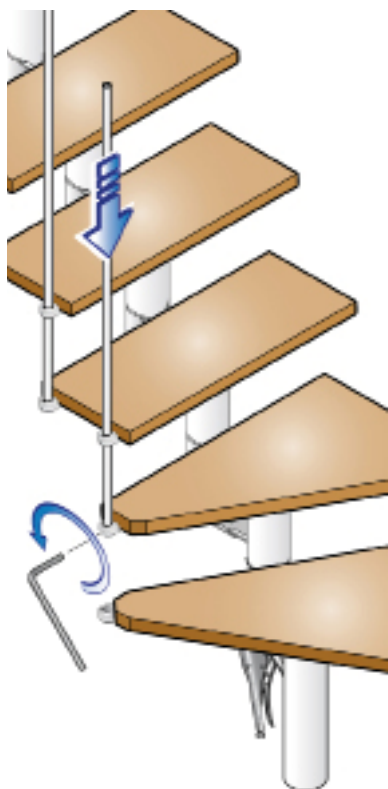


pratique 4

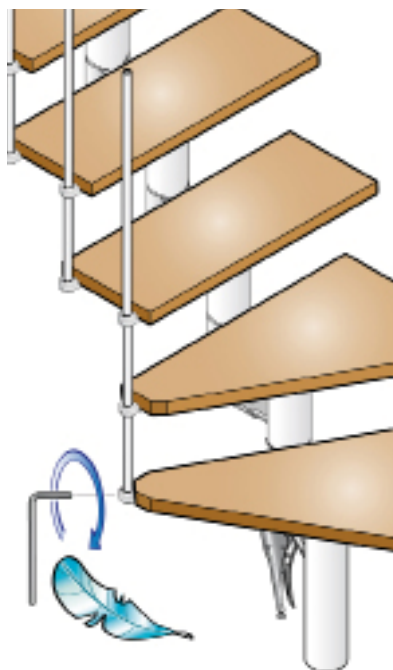




72

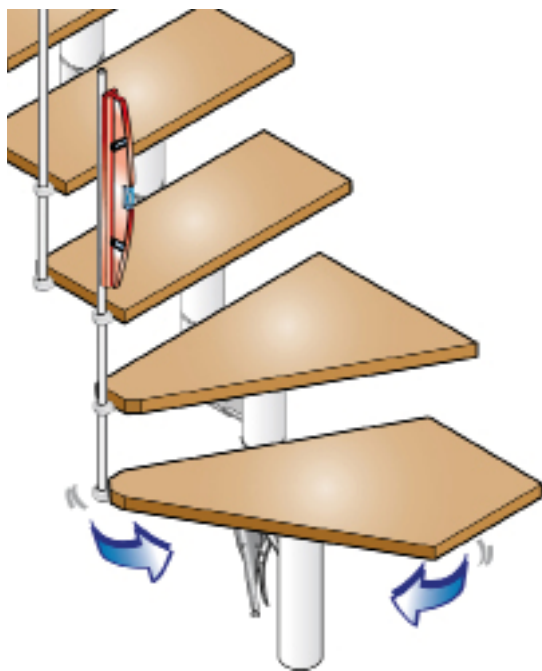


73

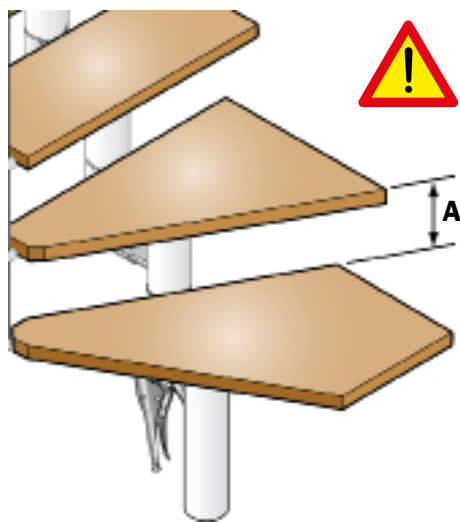


pratique 4

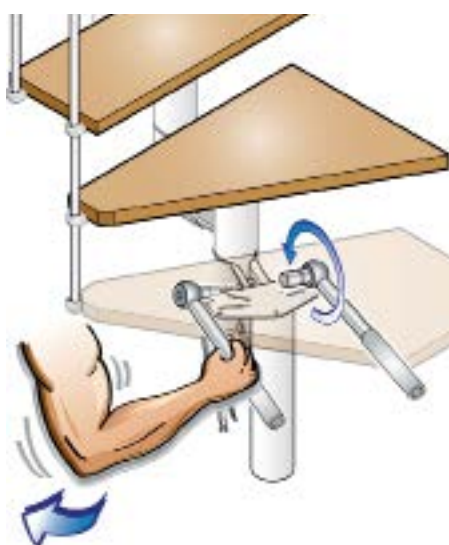
74

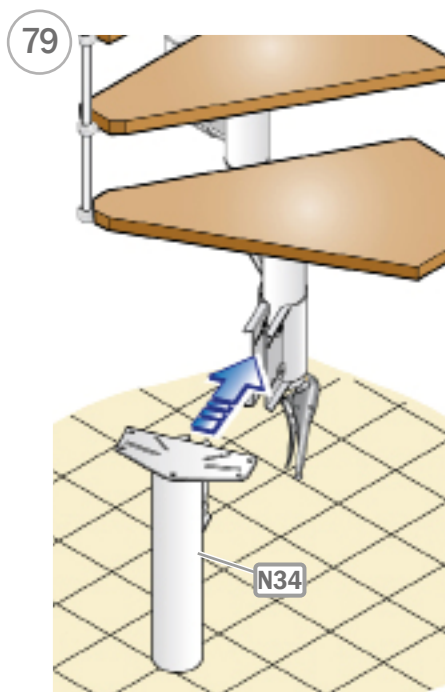
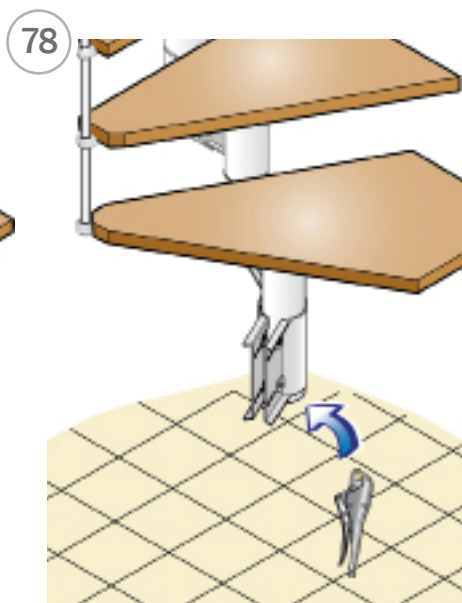
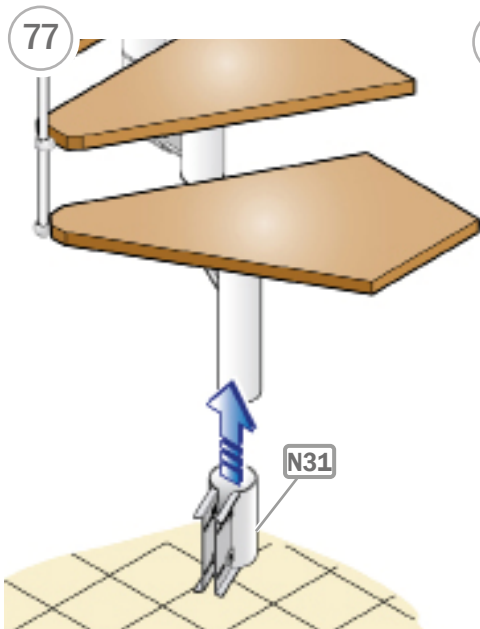


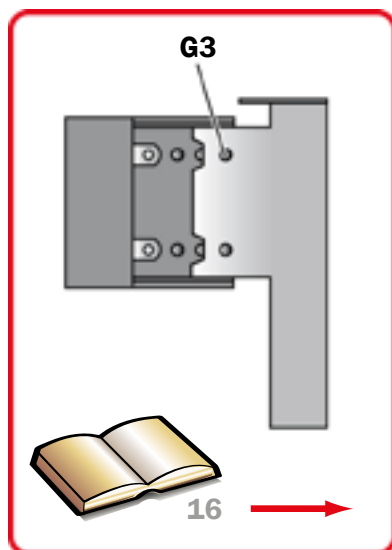
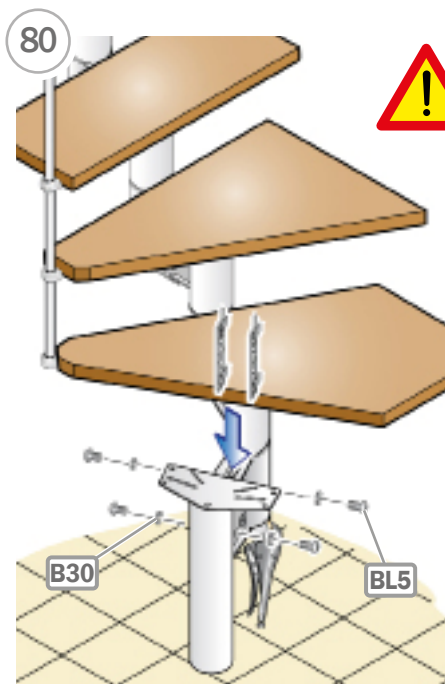
75



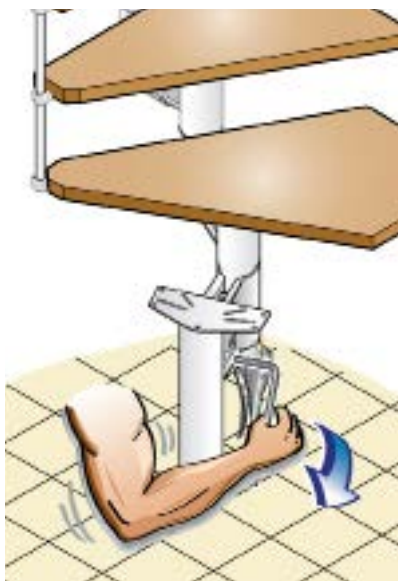
76



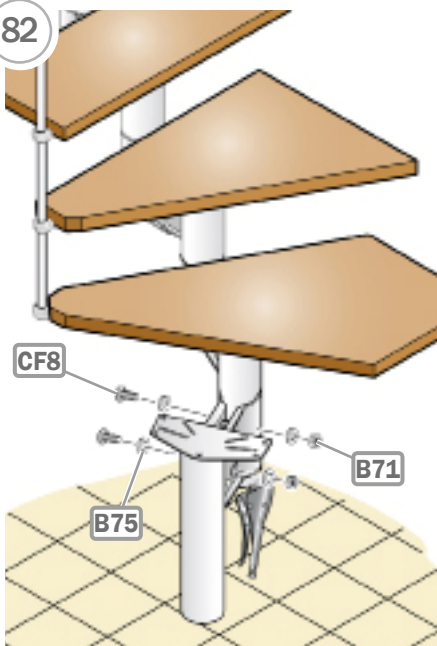




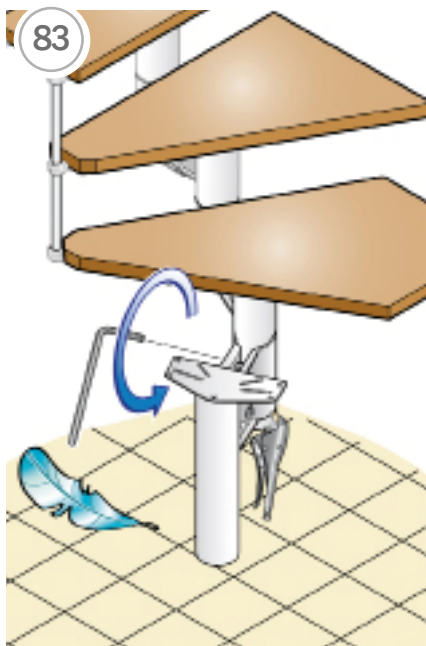
81



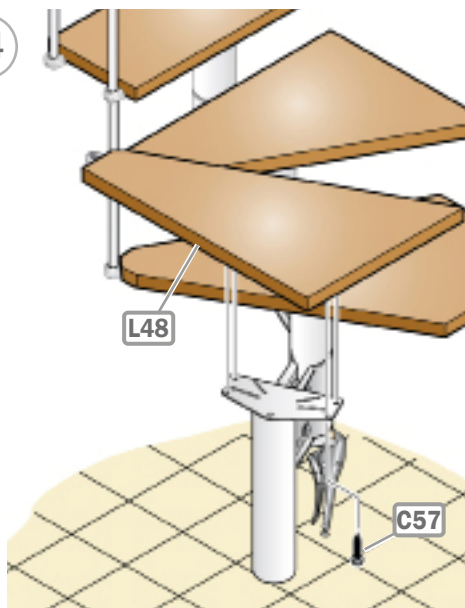
82

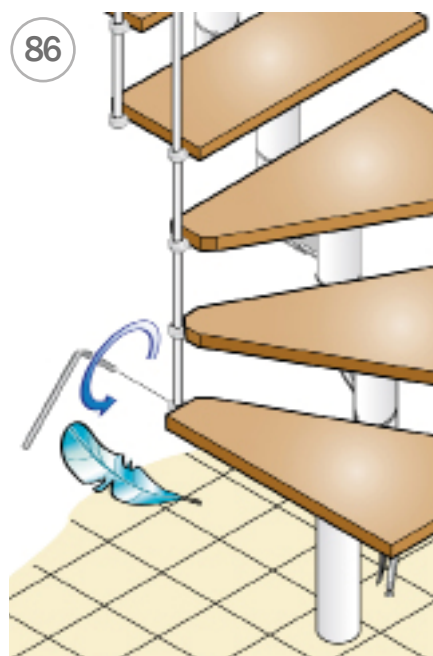
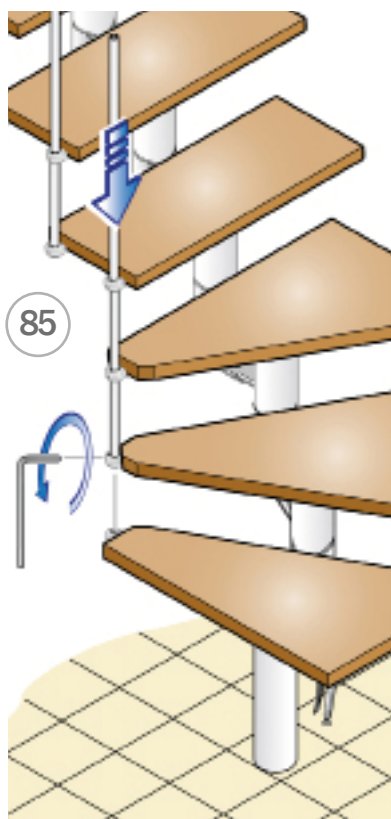


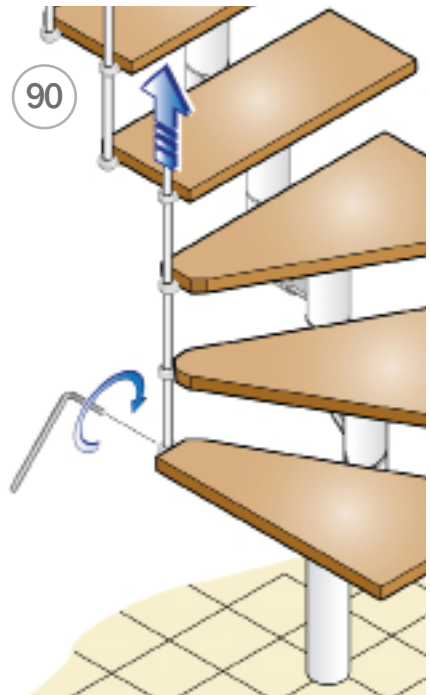
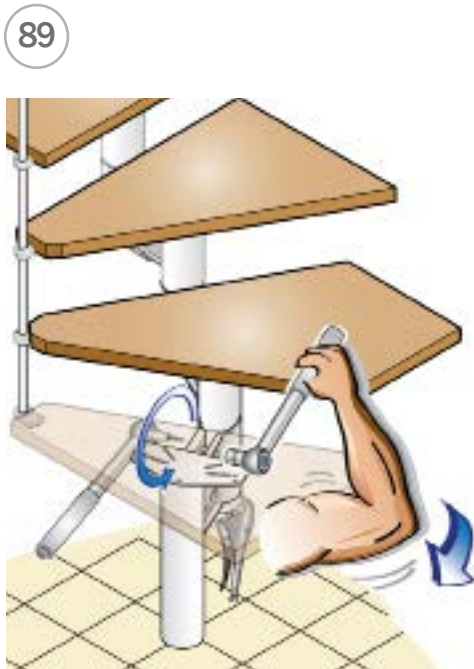
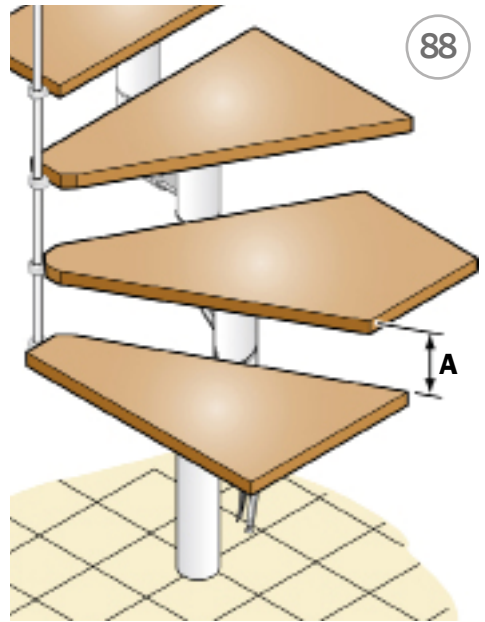
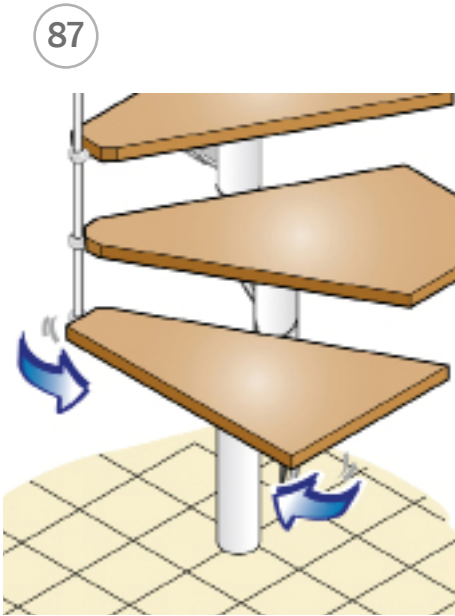
83



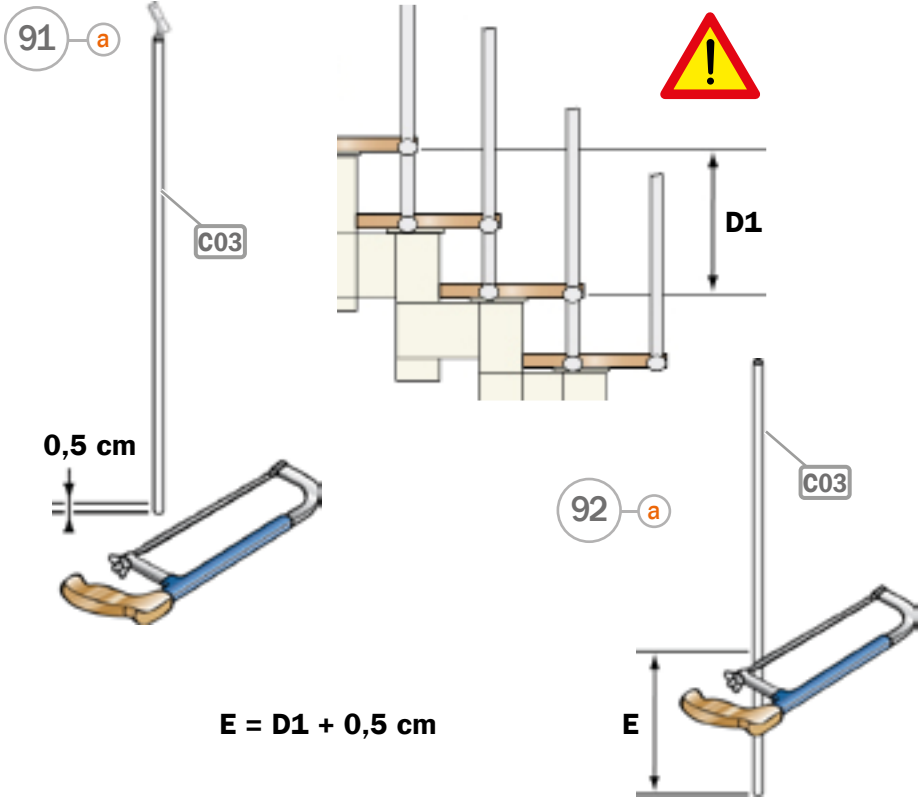
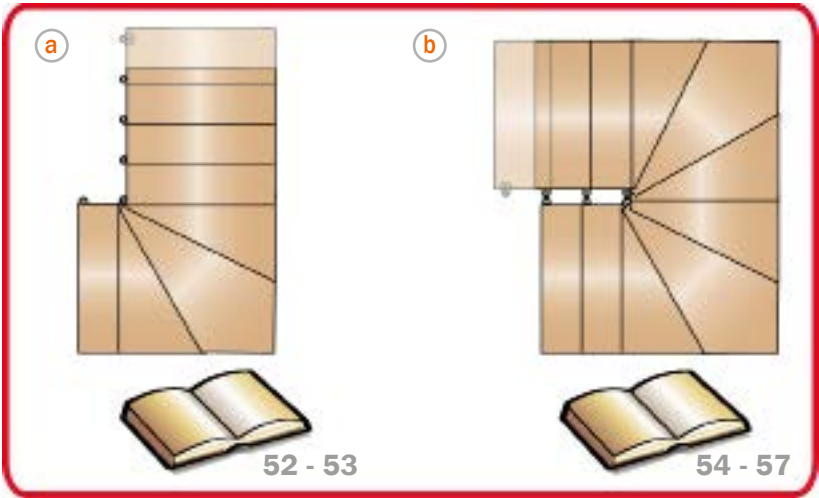
84





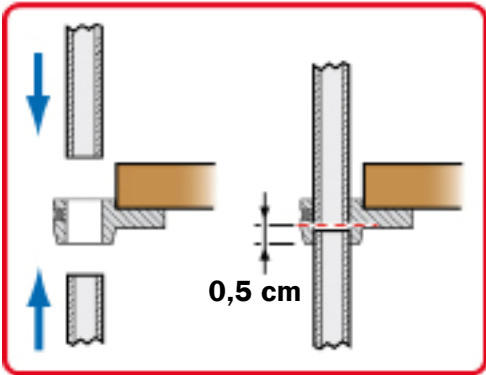
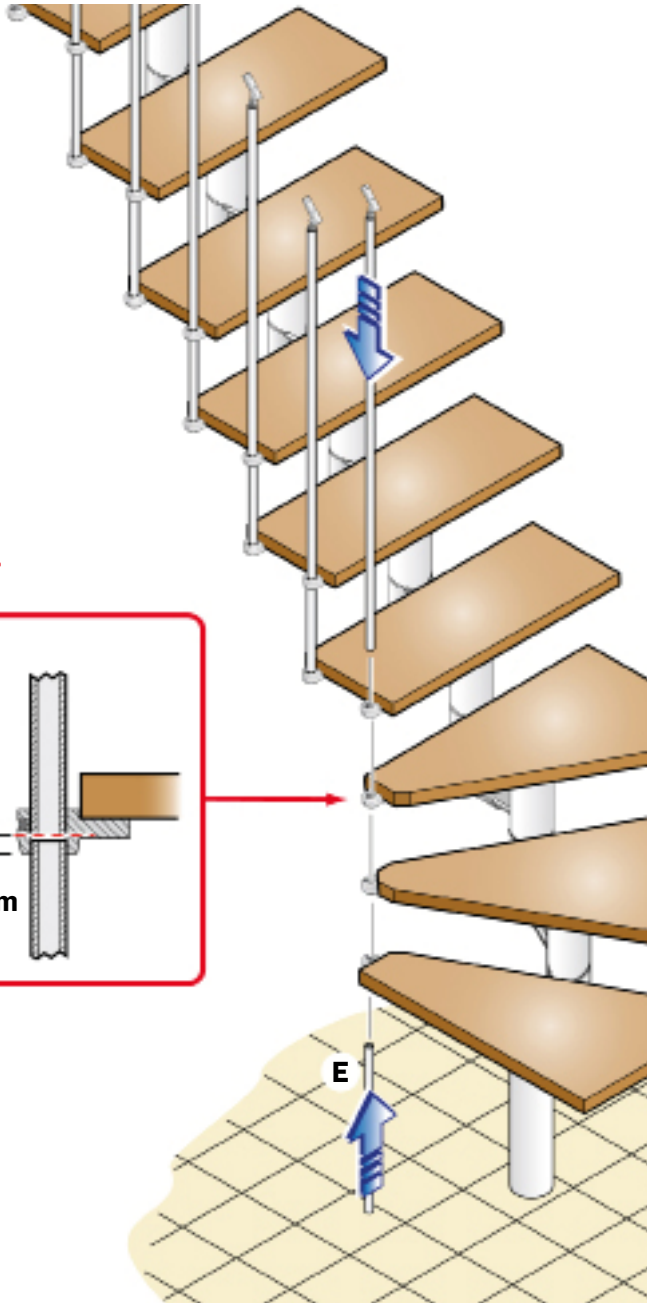






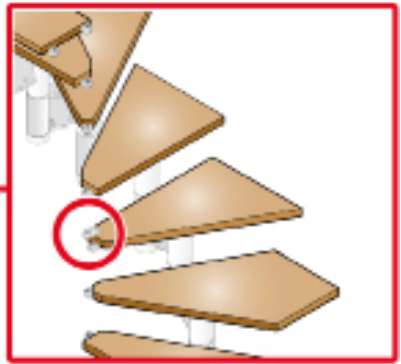


93 a

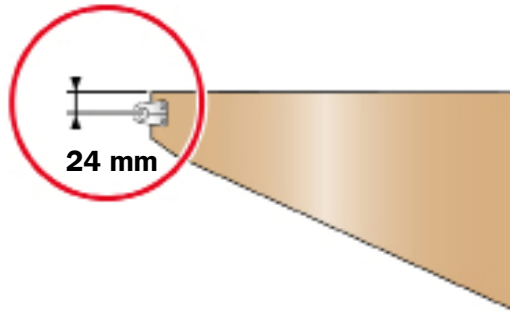
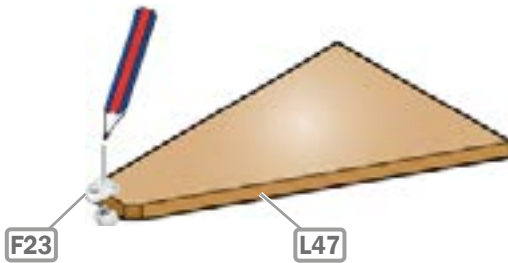


0,5 cm

91 b

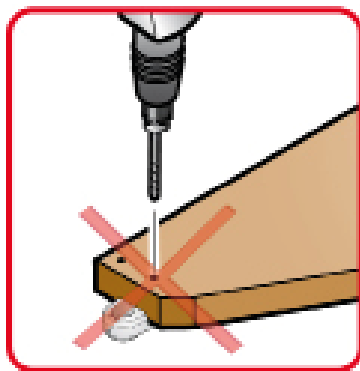
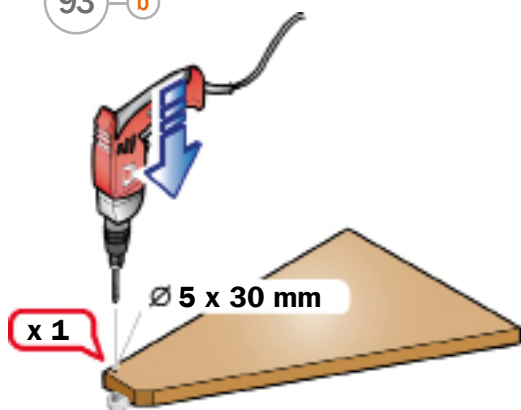


92 b



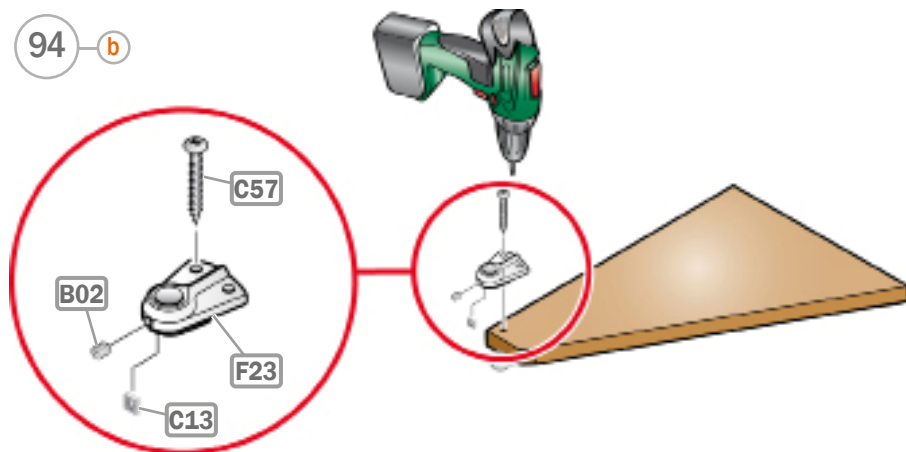
93

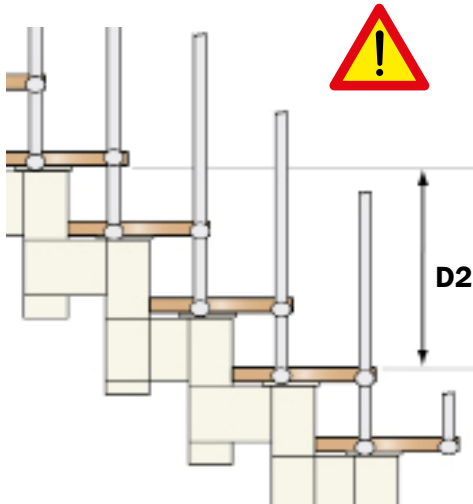
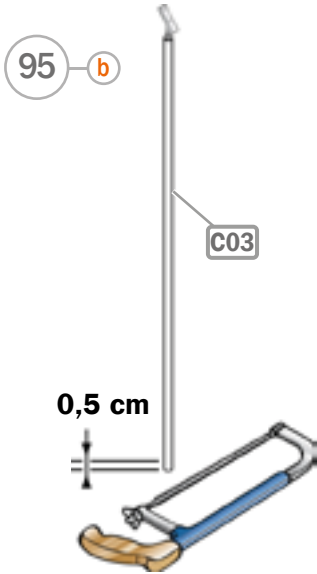
b



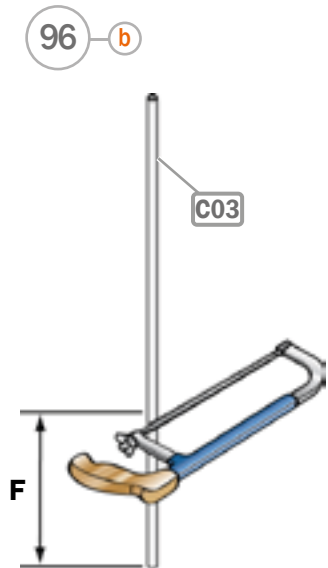
94

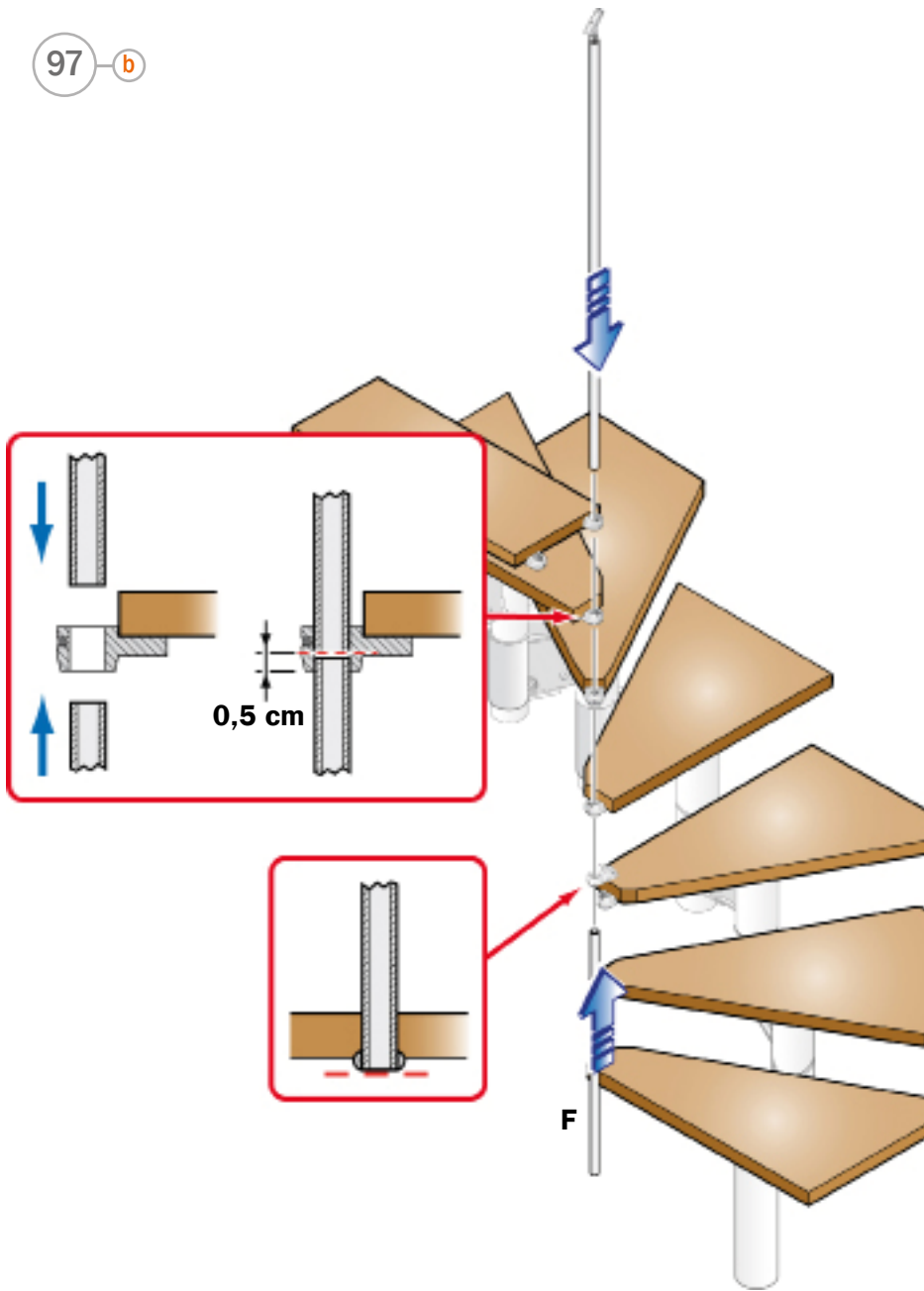
b



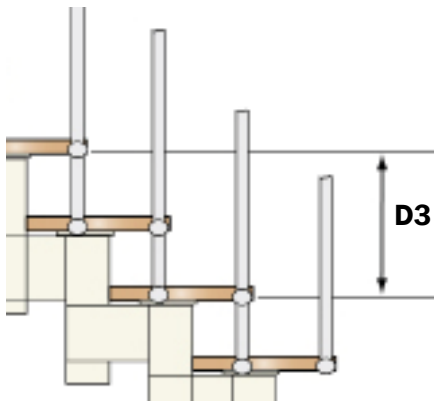
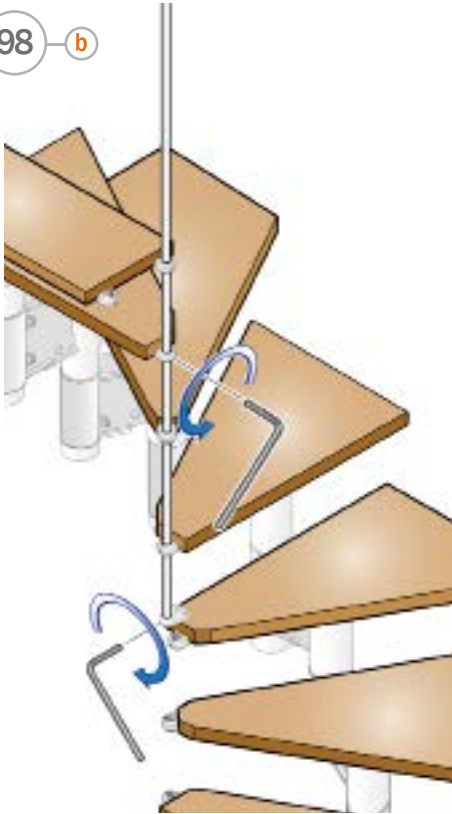


$$F = D2 + 0,5 \text{ cm}$$

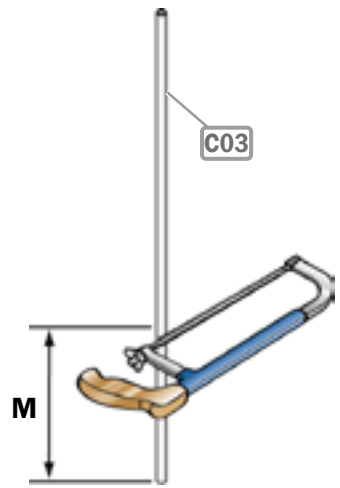




98 b

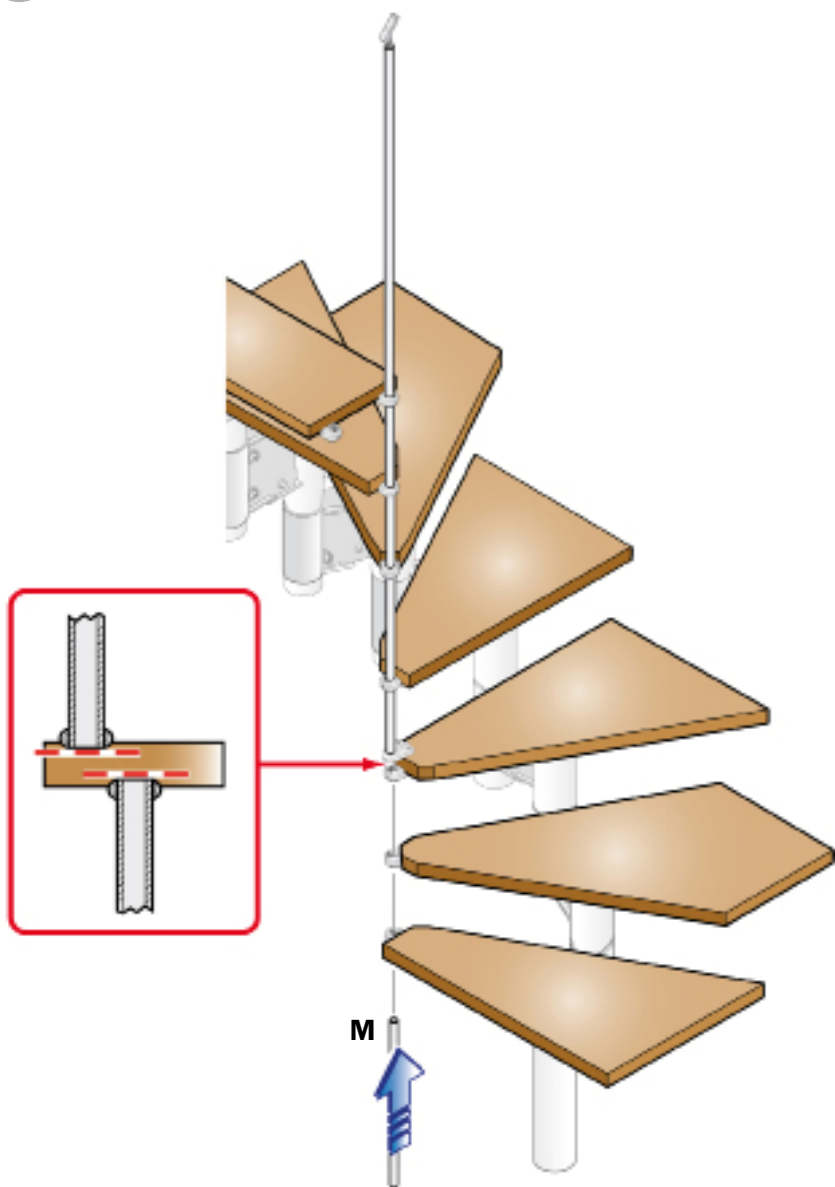


99 b

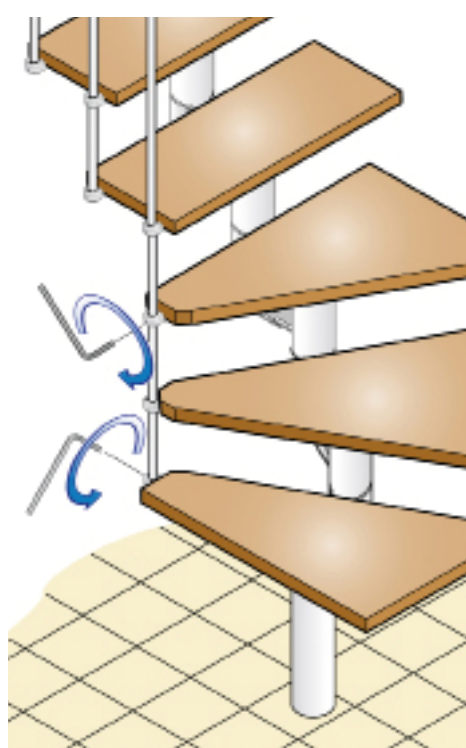


$$M = D3 + 2 \text{ cm}$$

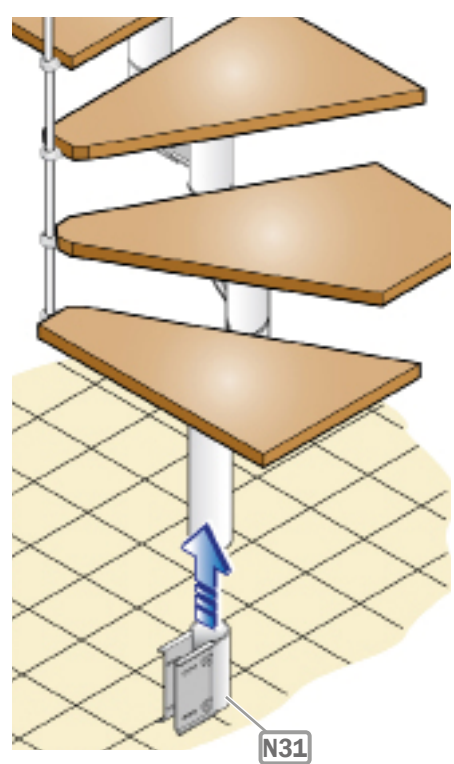




101



102

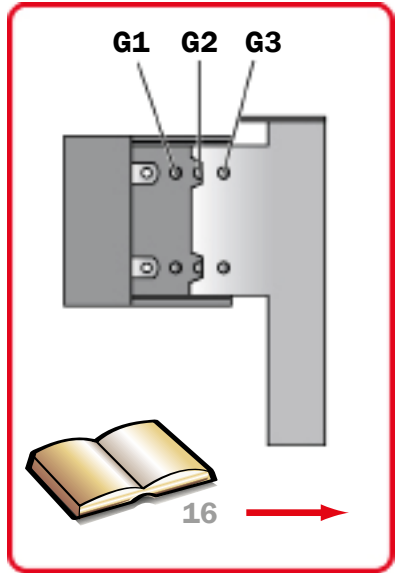
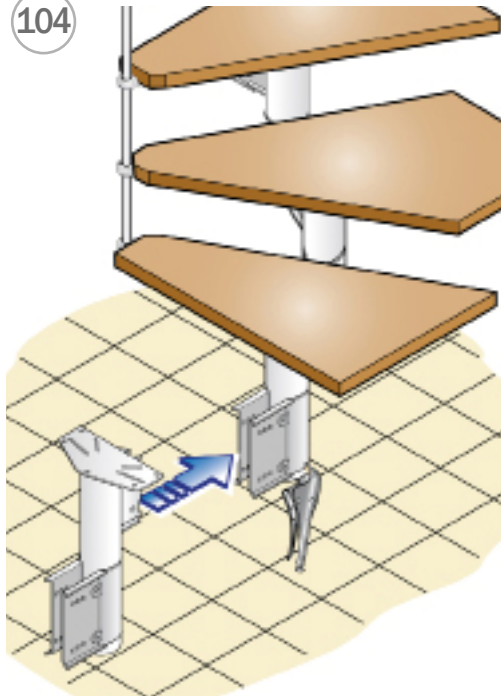


103

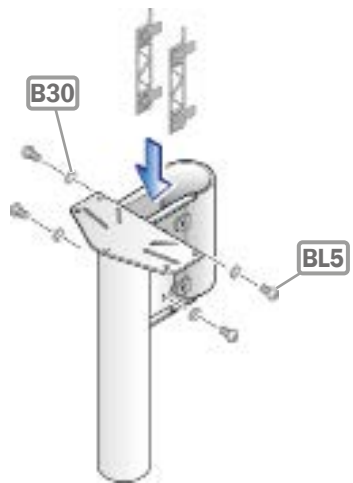




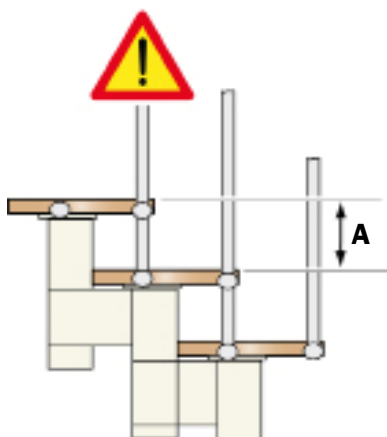
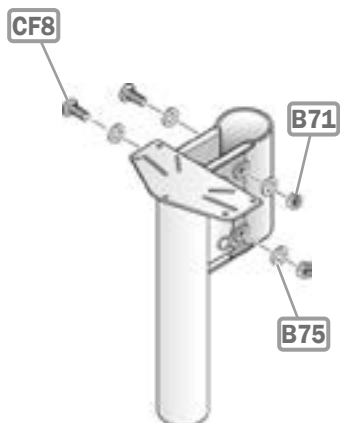
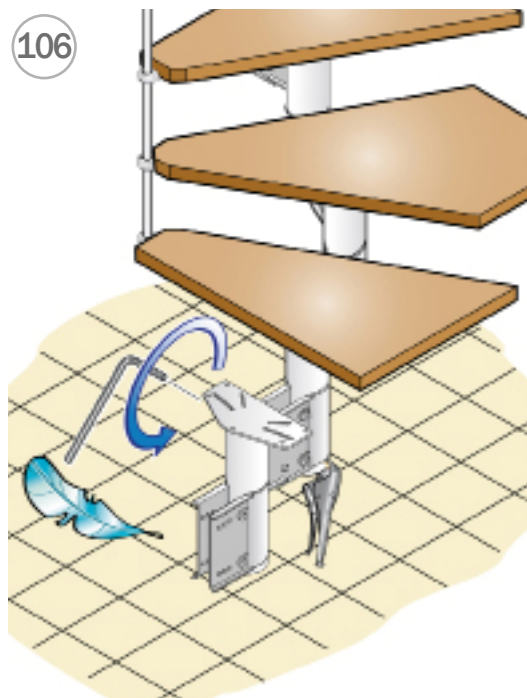
104



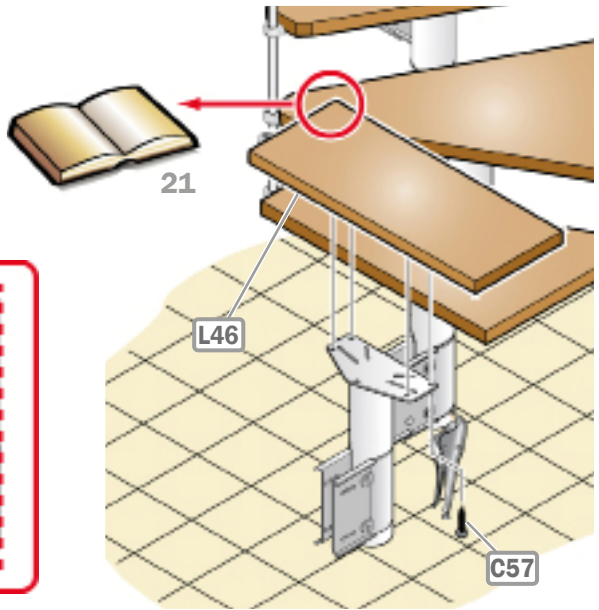
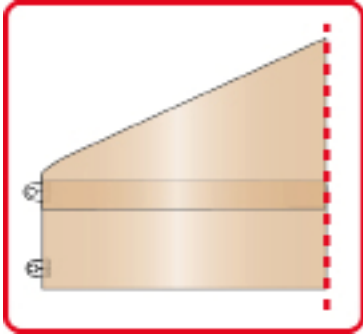
105



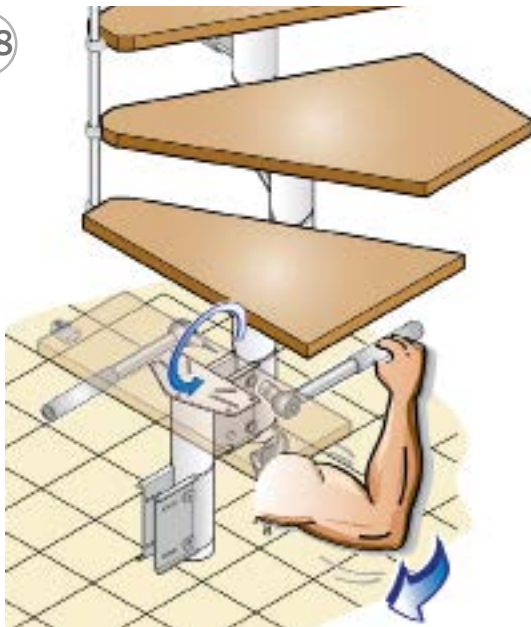
106



107

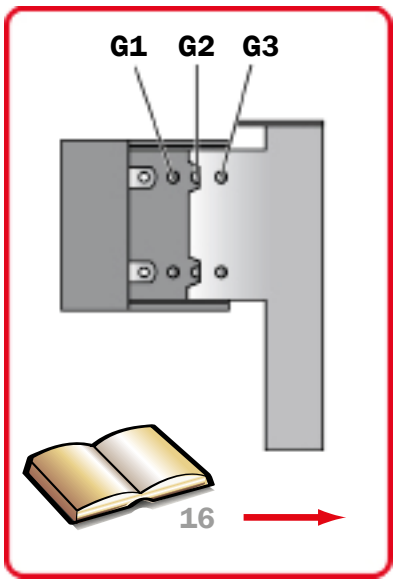
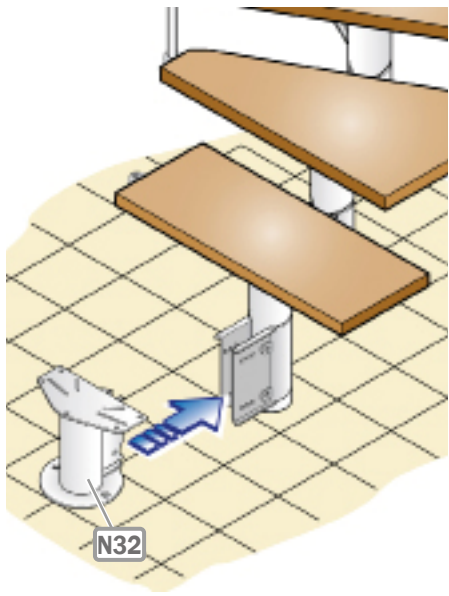


108

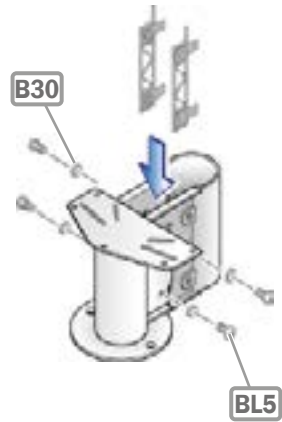


pratique 4

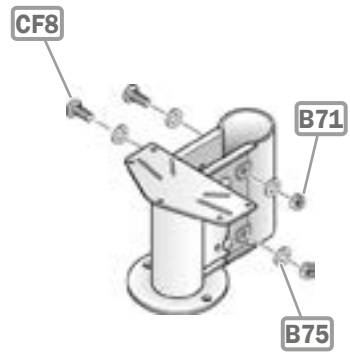
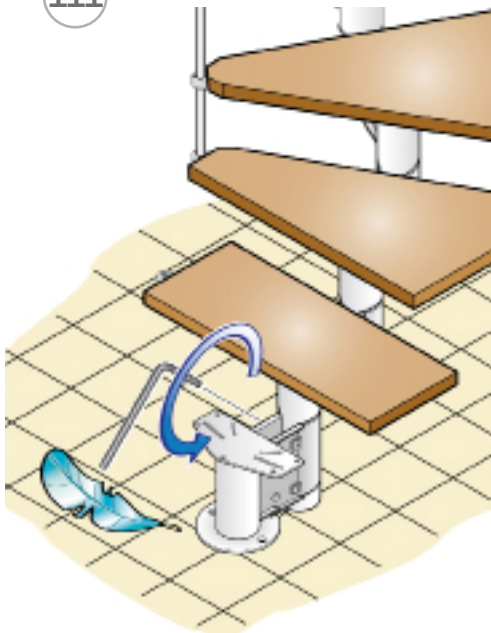
109

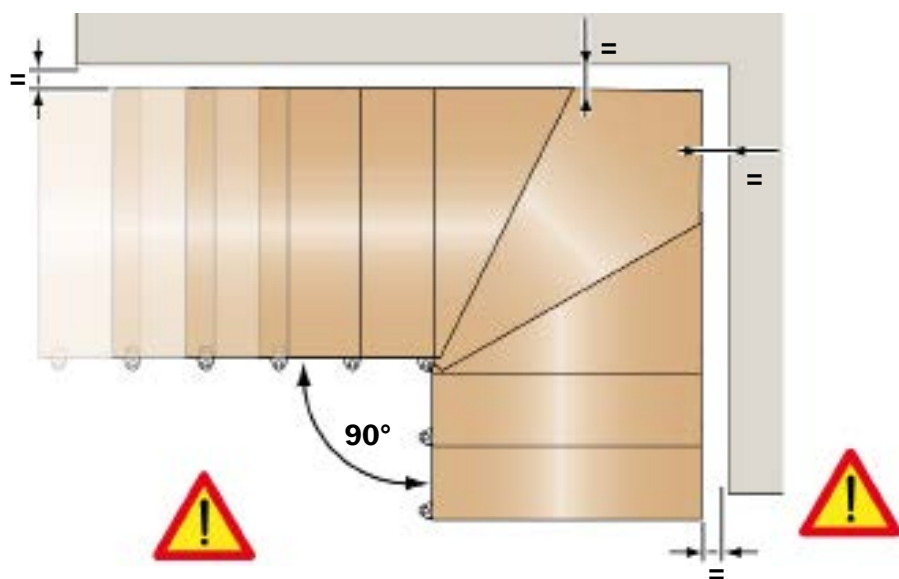
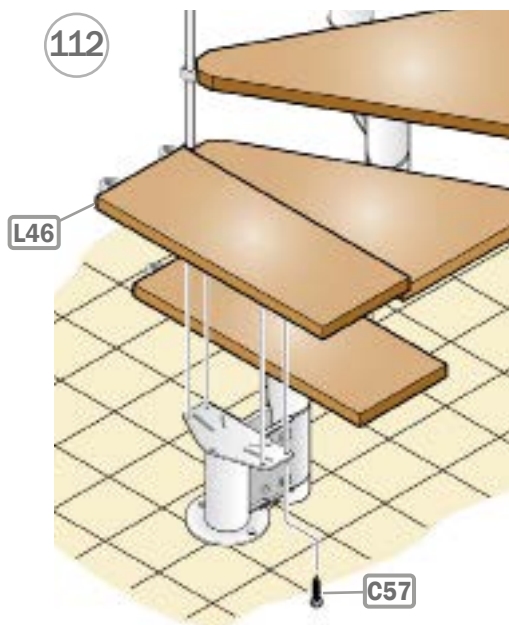


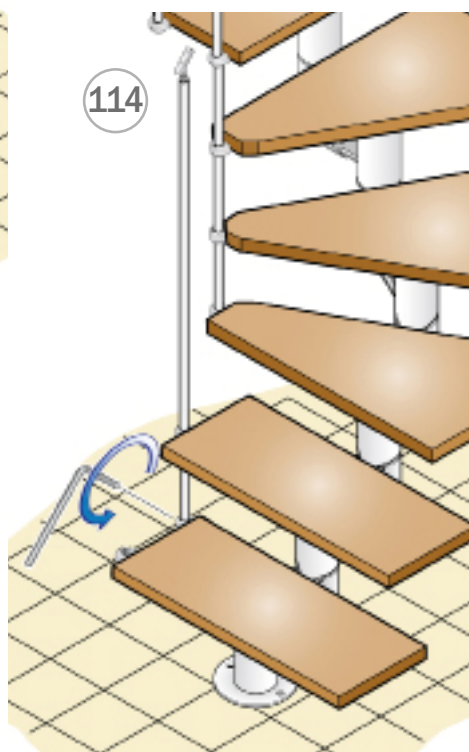
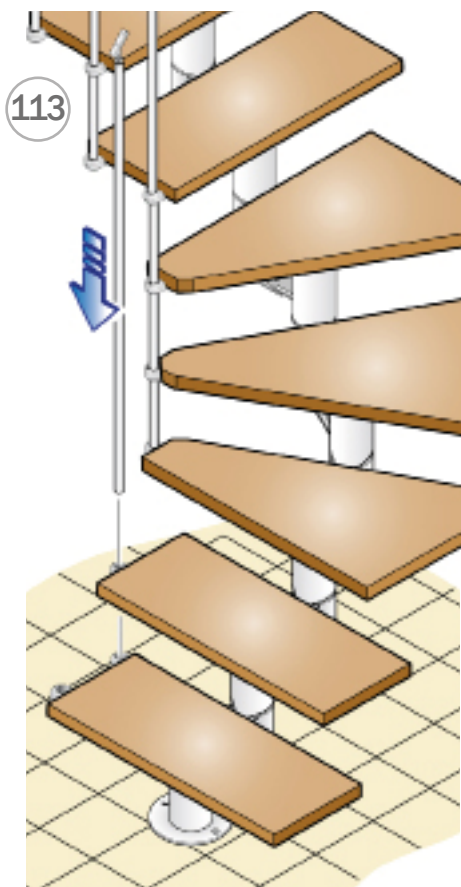
110



111



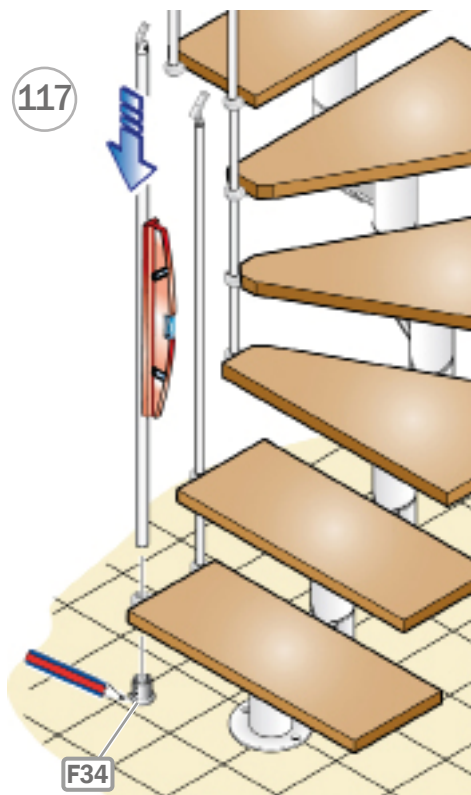




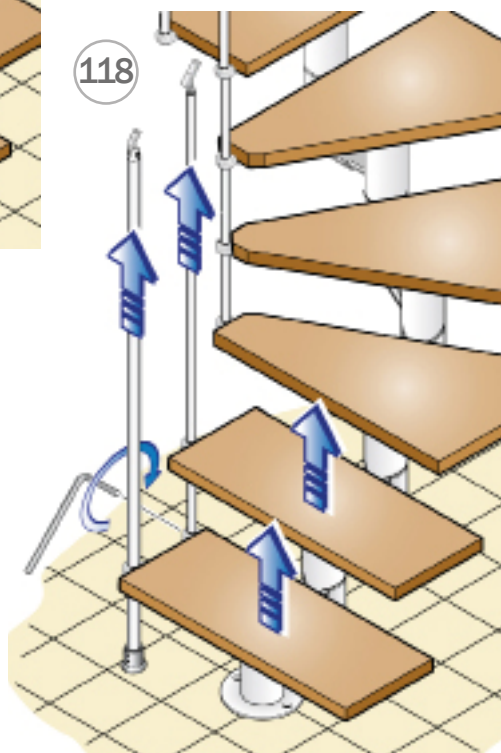




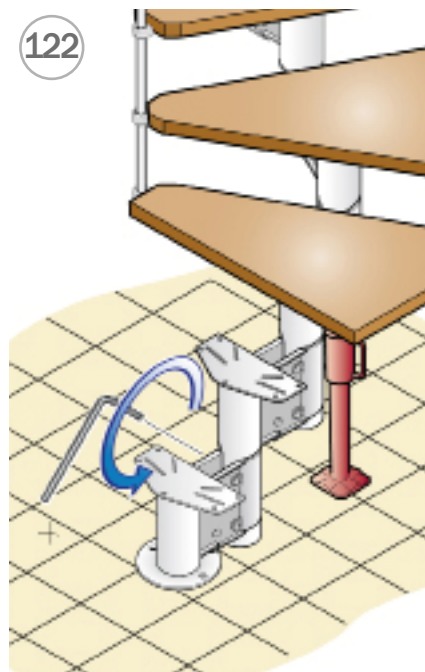
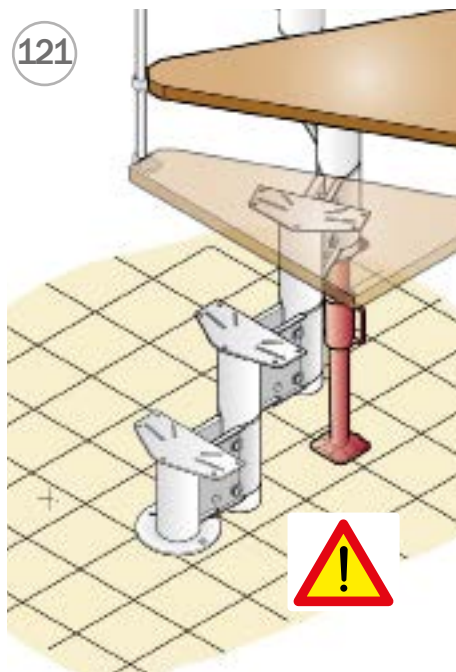
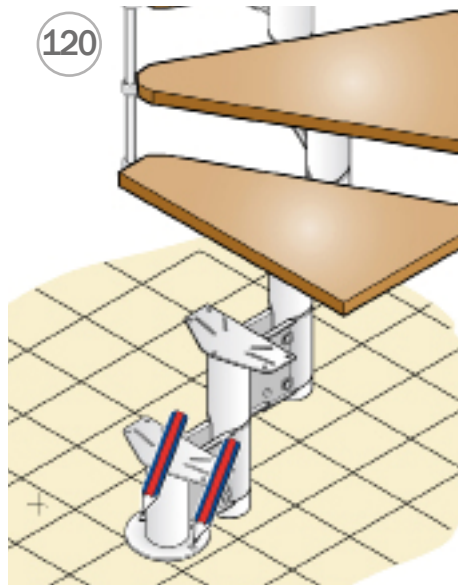
117



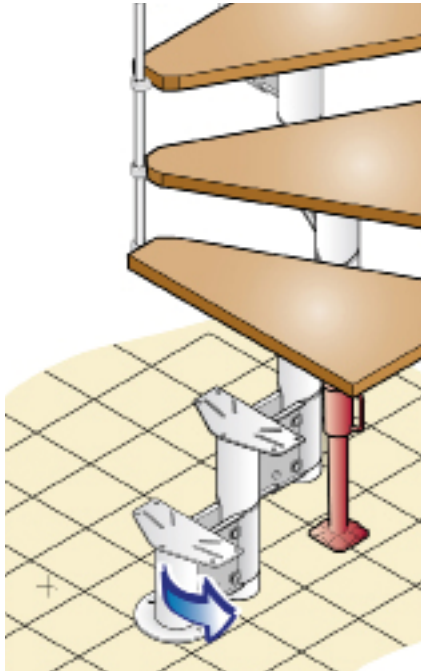
118



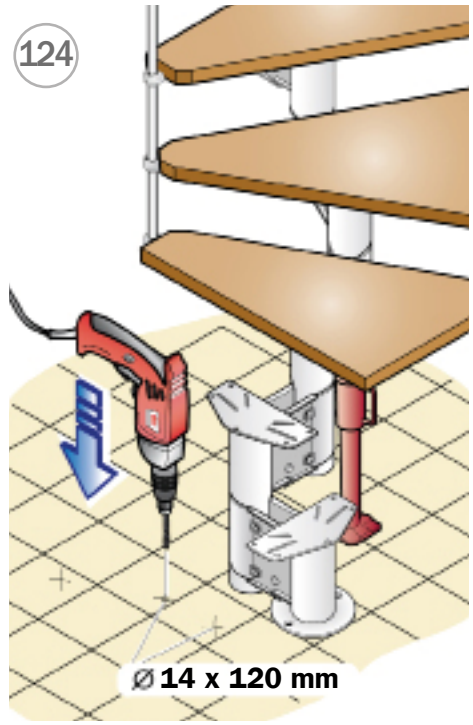
pratique 4



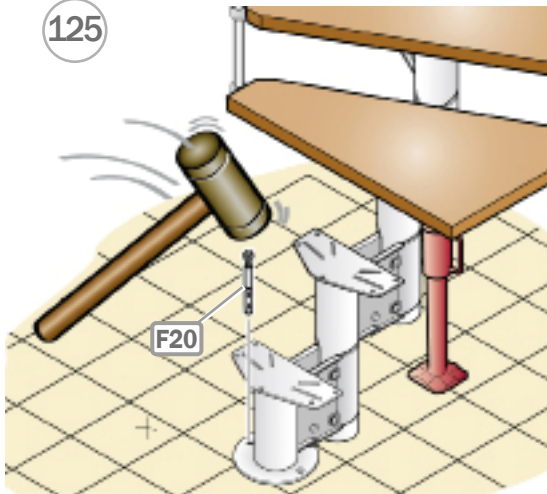
123



124



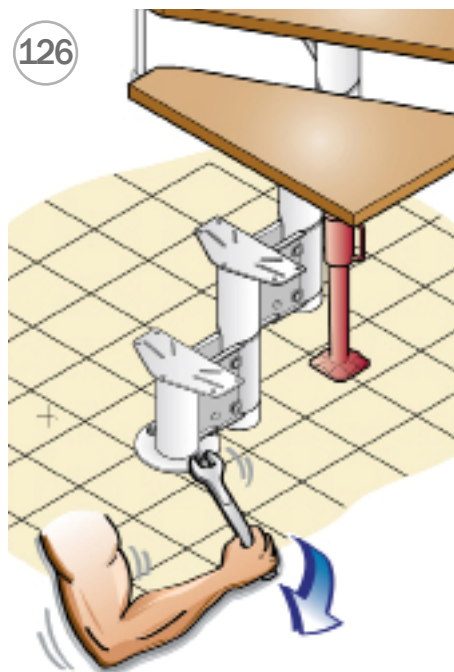
125



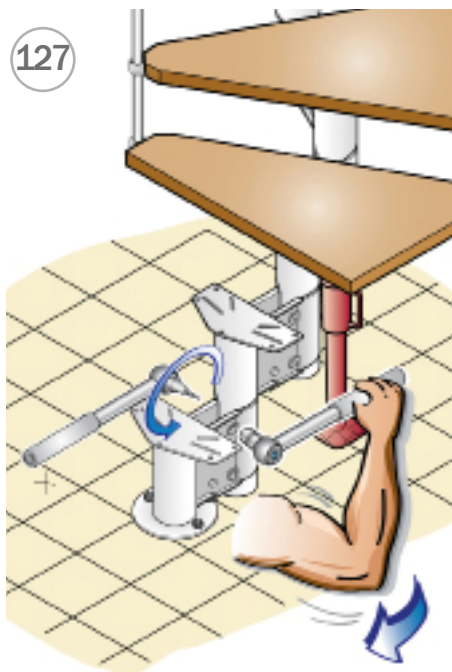
126

pratique 4

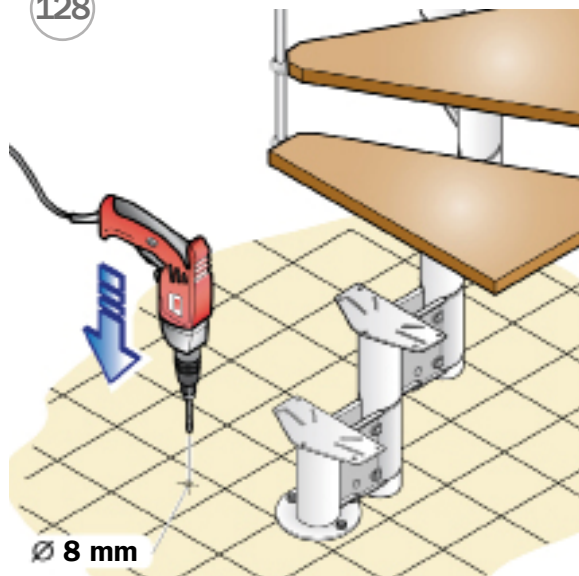
126



127

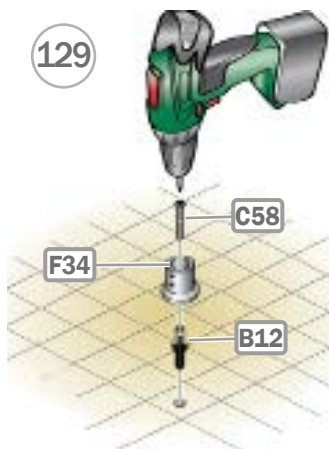


128

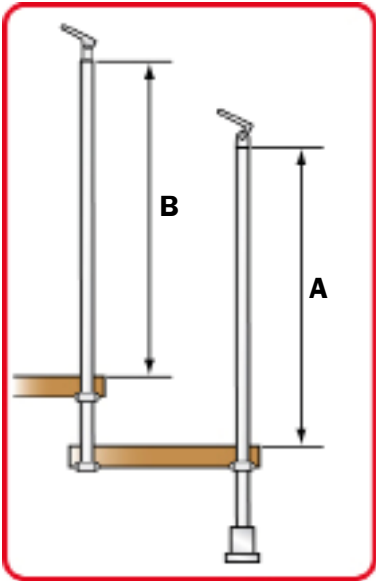
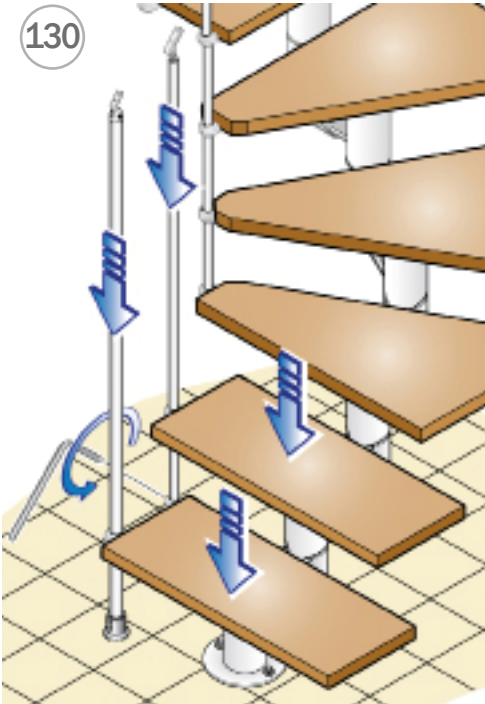


Ø 8 mm

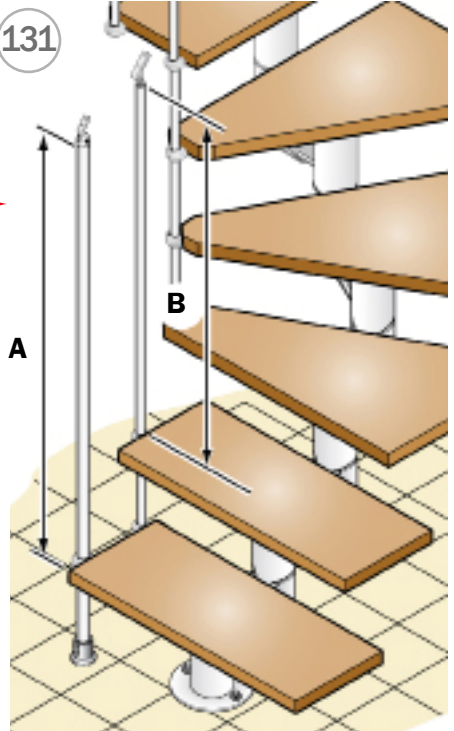
129



130



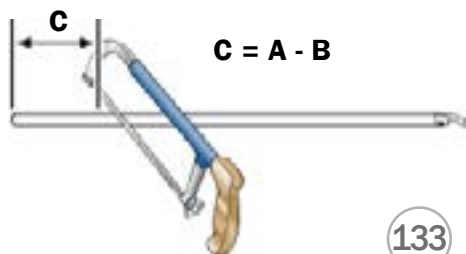
131



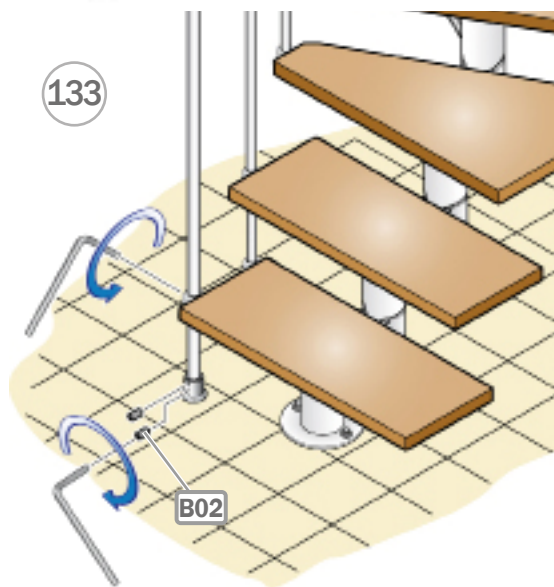
pratique 4



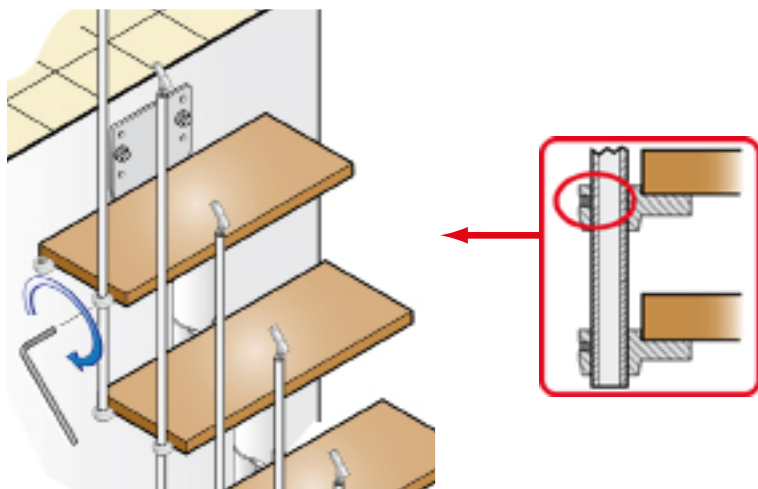
132

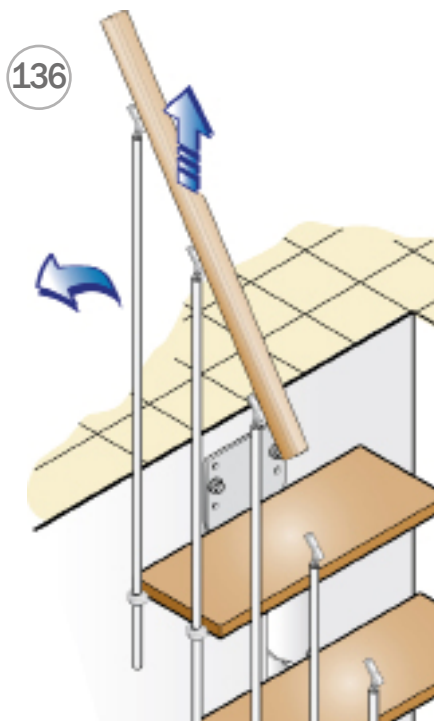
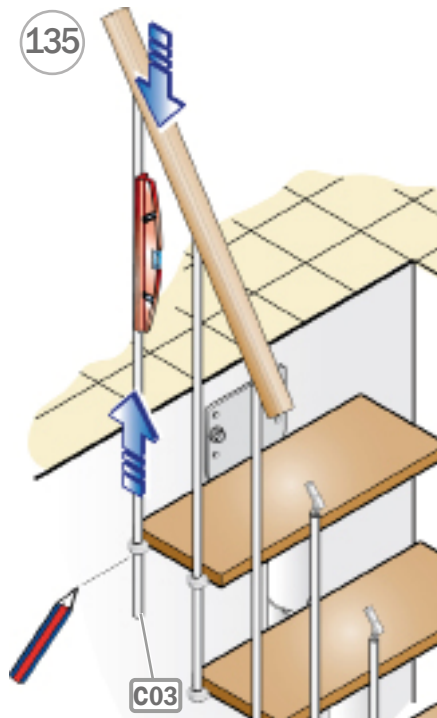


133



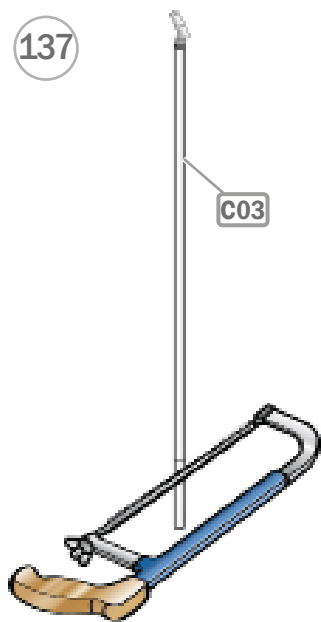
134



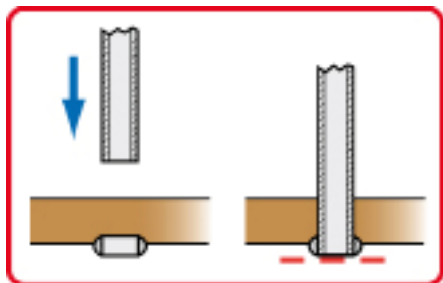
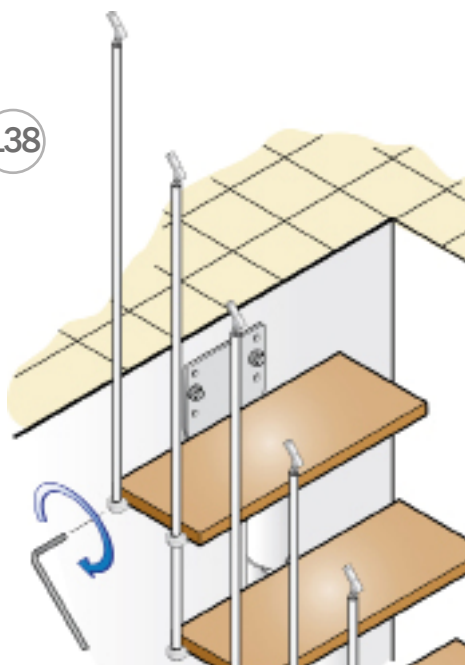


pratique 4

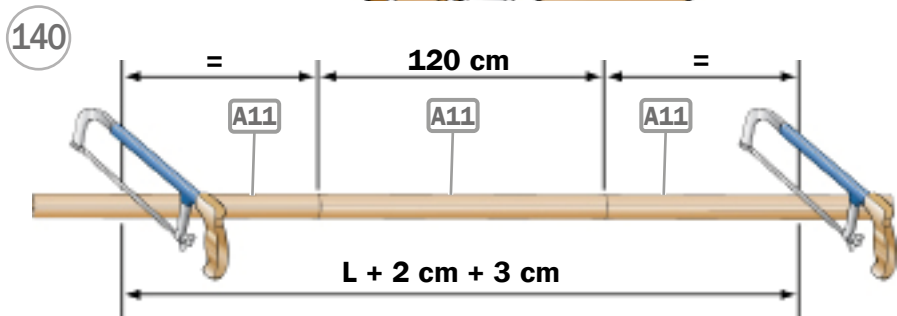
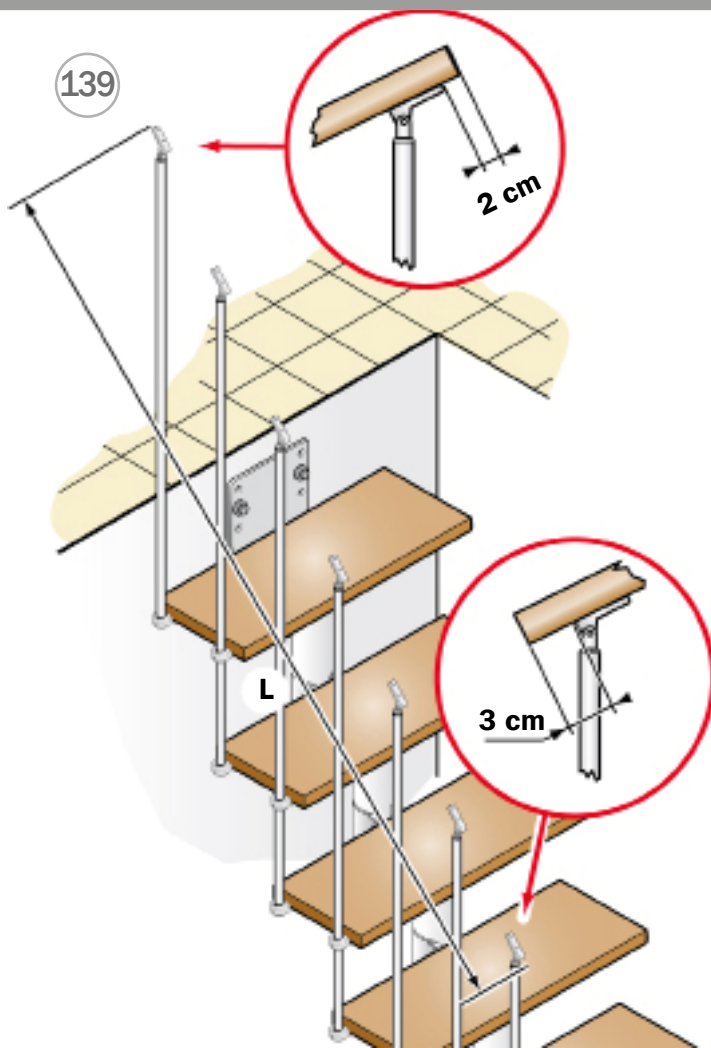
137



138





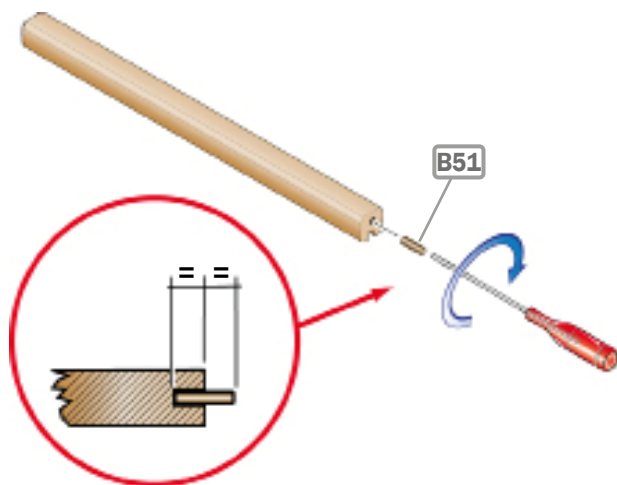


pratique 4

141



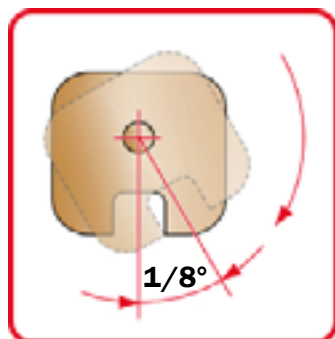
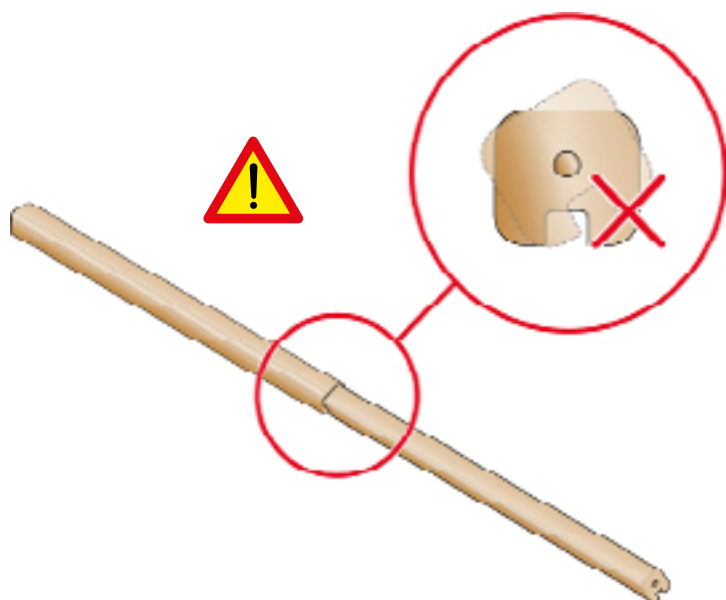
142



143



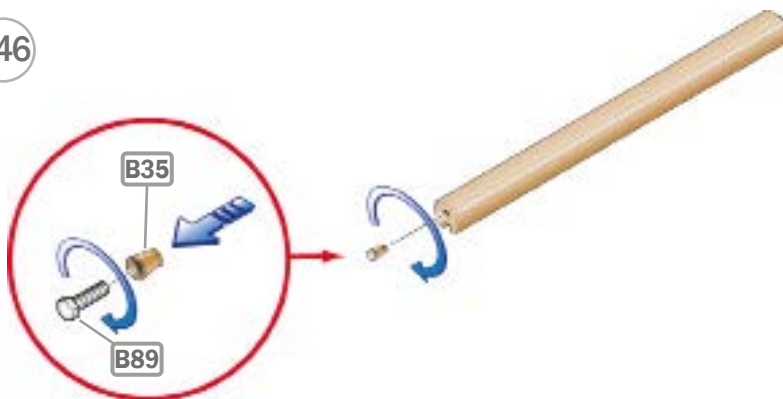
144



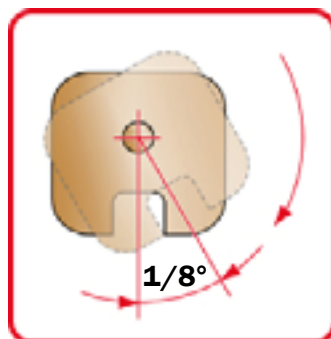
145



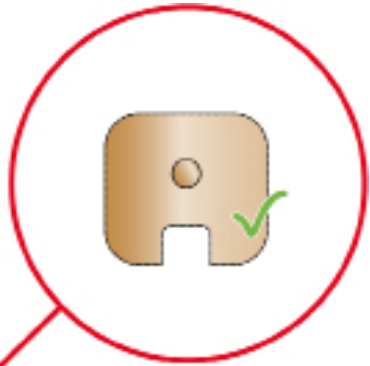
146



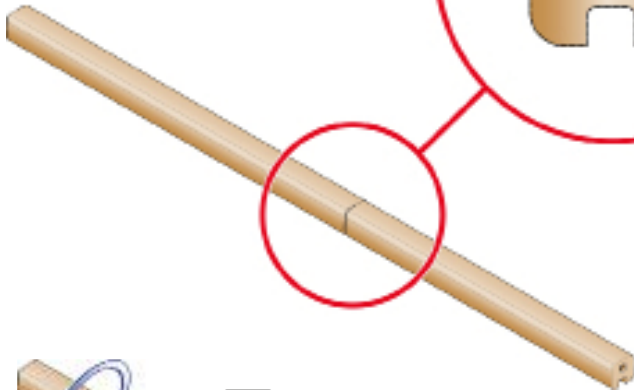
147



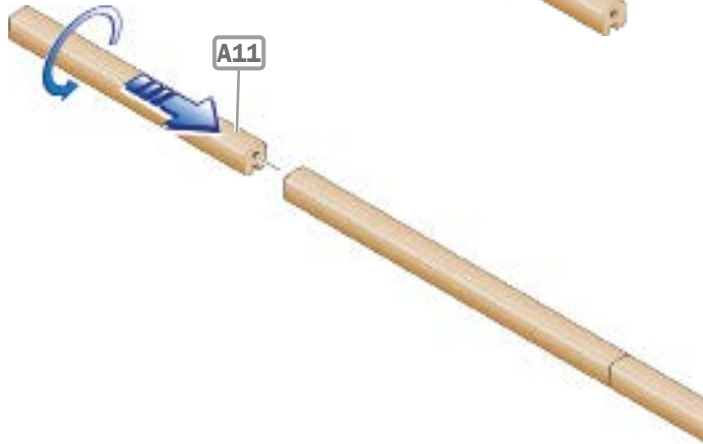
148



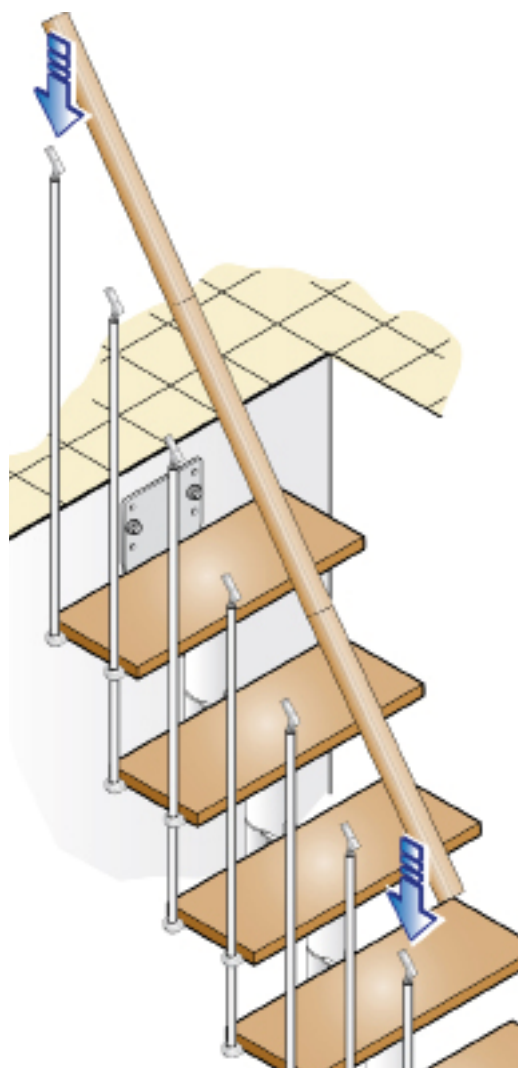
149

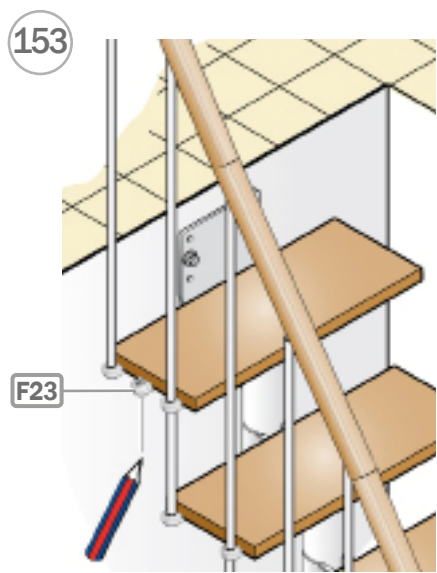
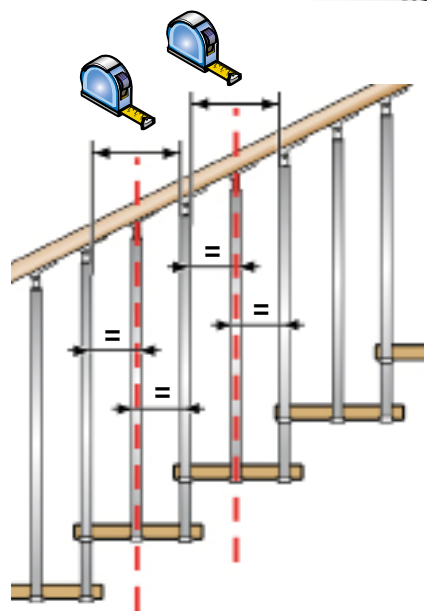
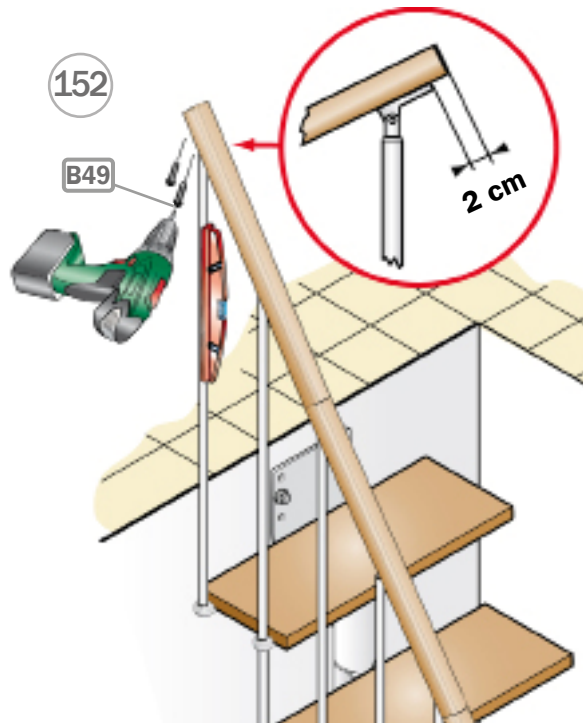


150

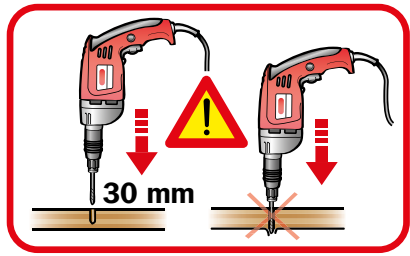
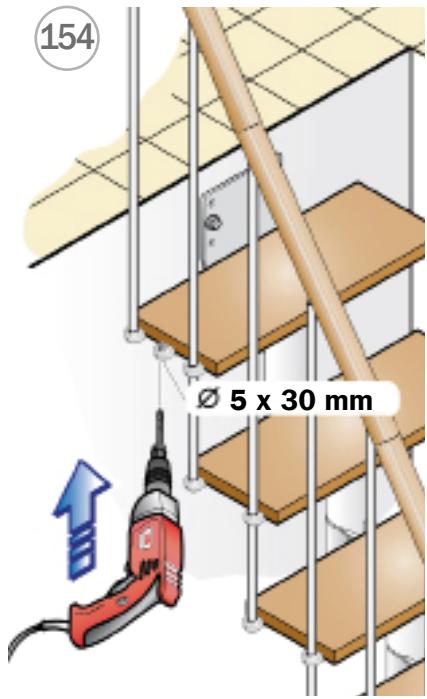


151

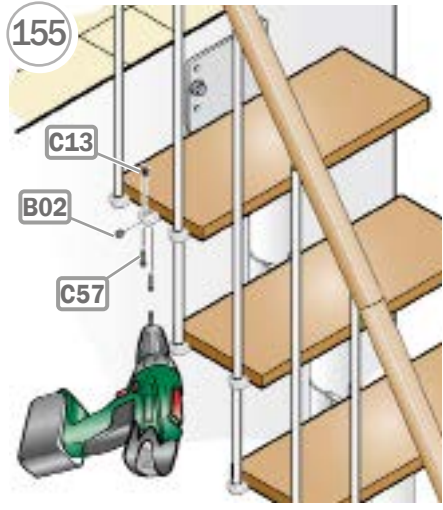




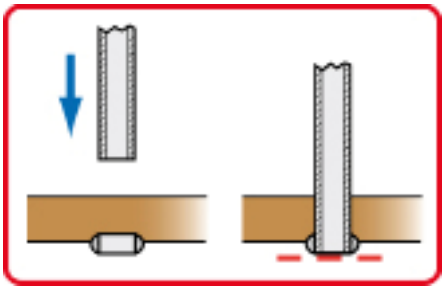
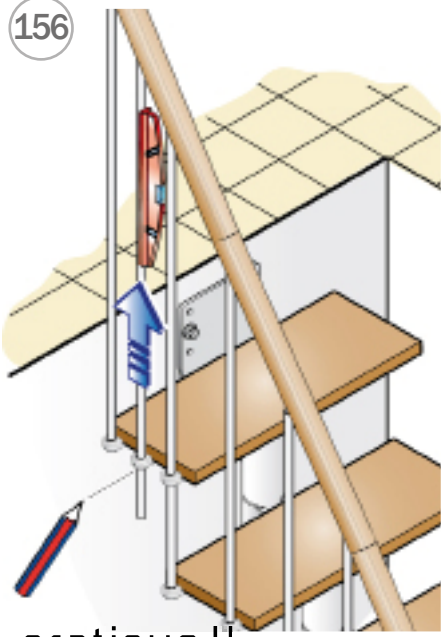
154



155

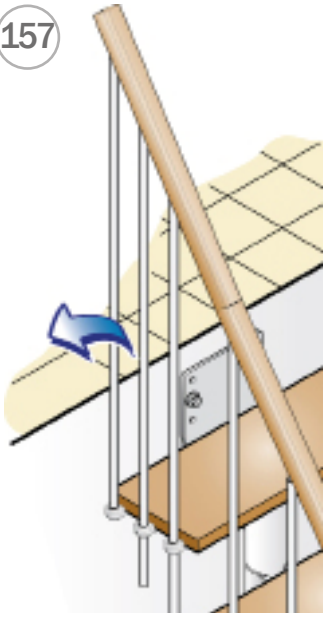


156

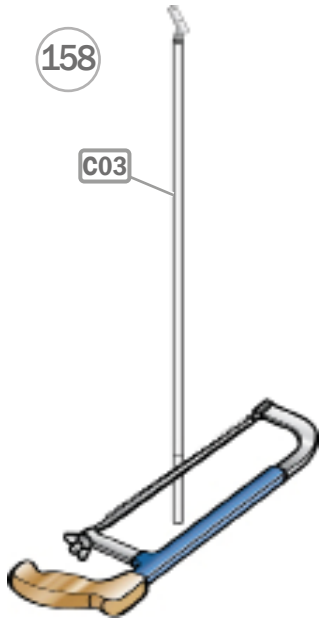




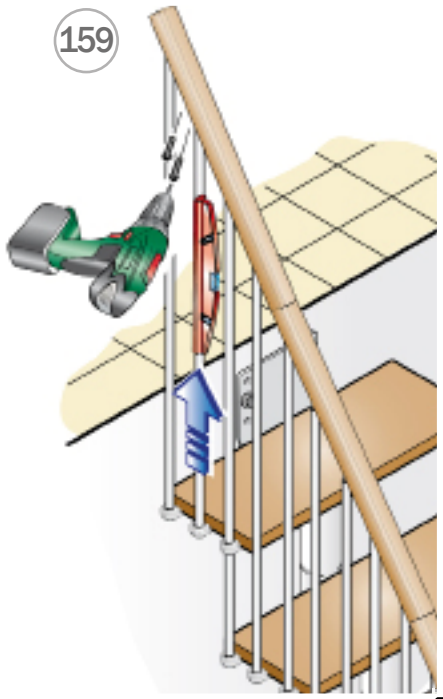
157



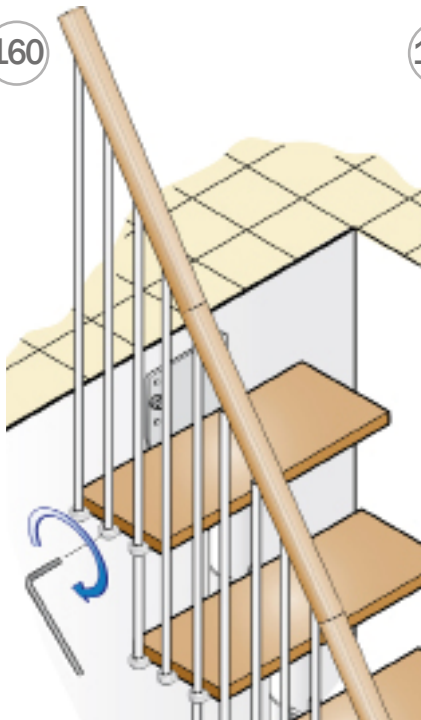
158



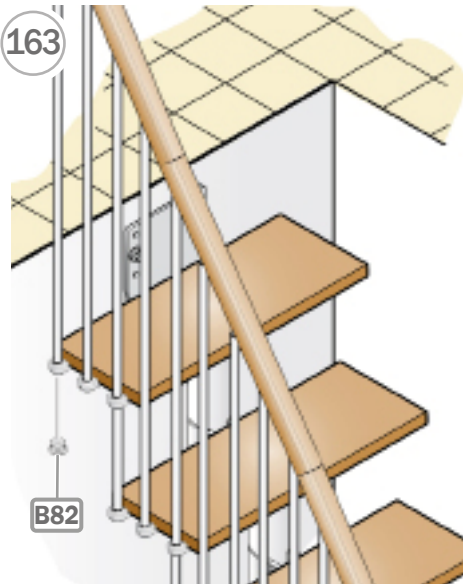
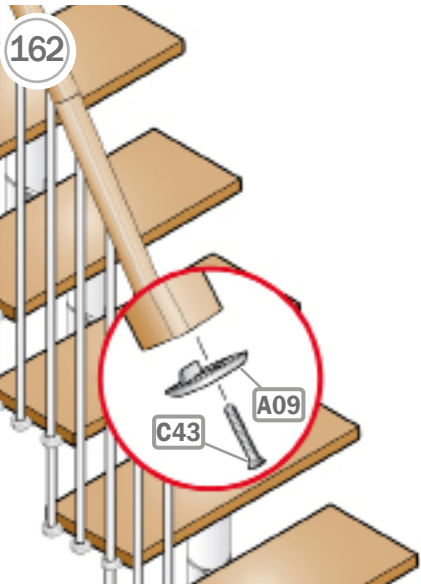
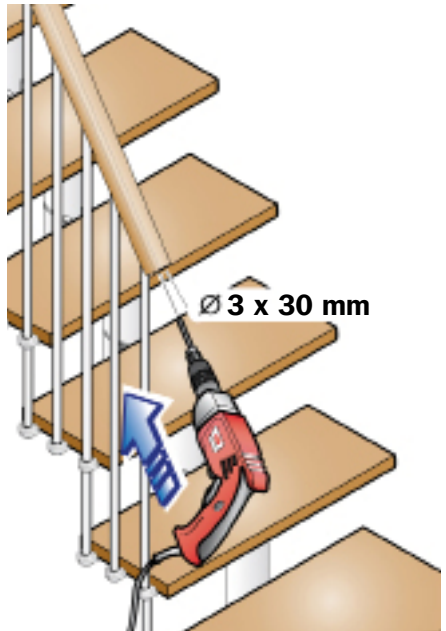
159

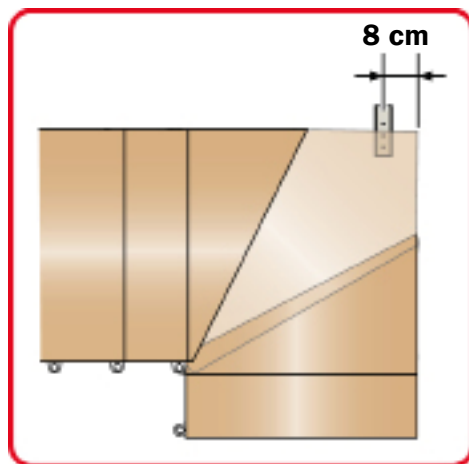
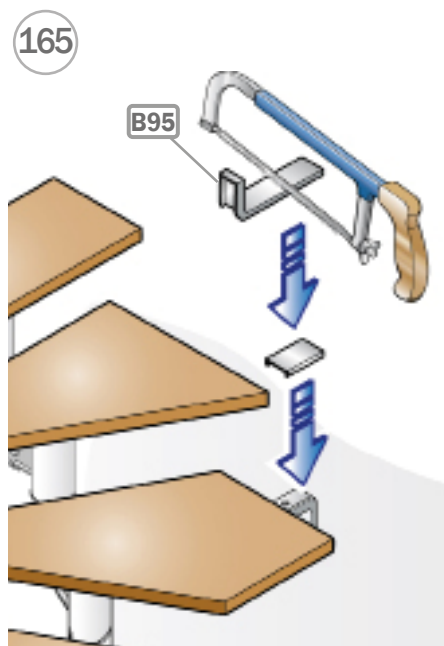
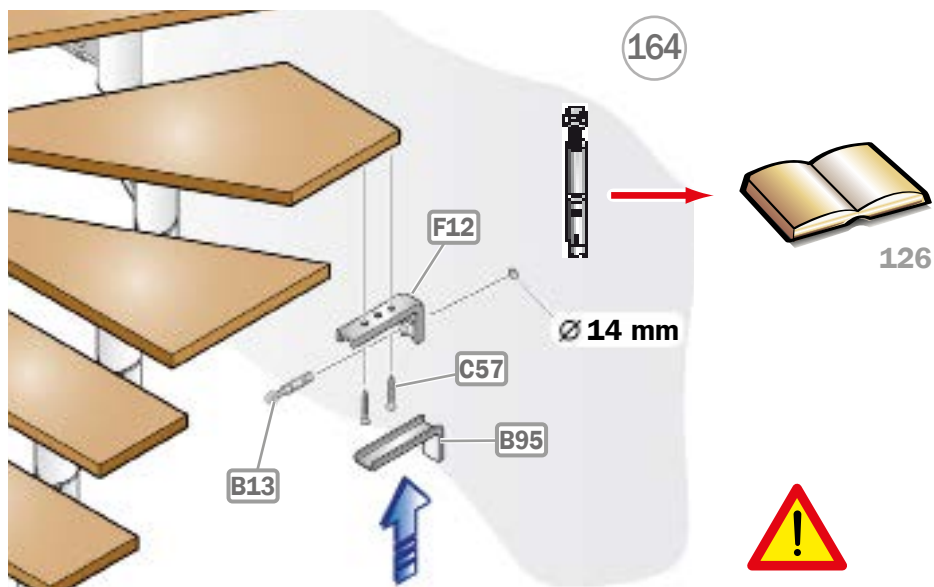


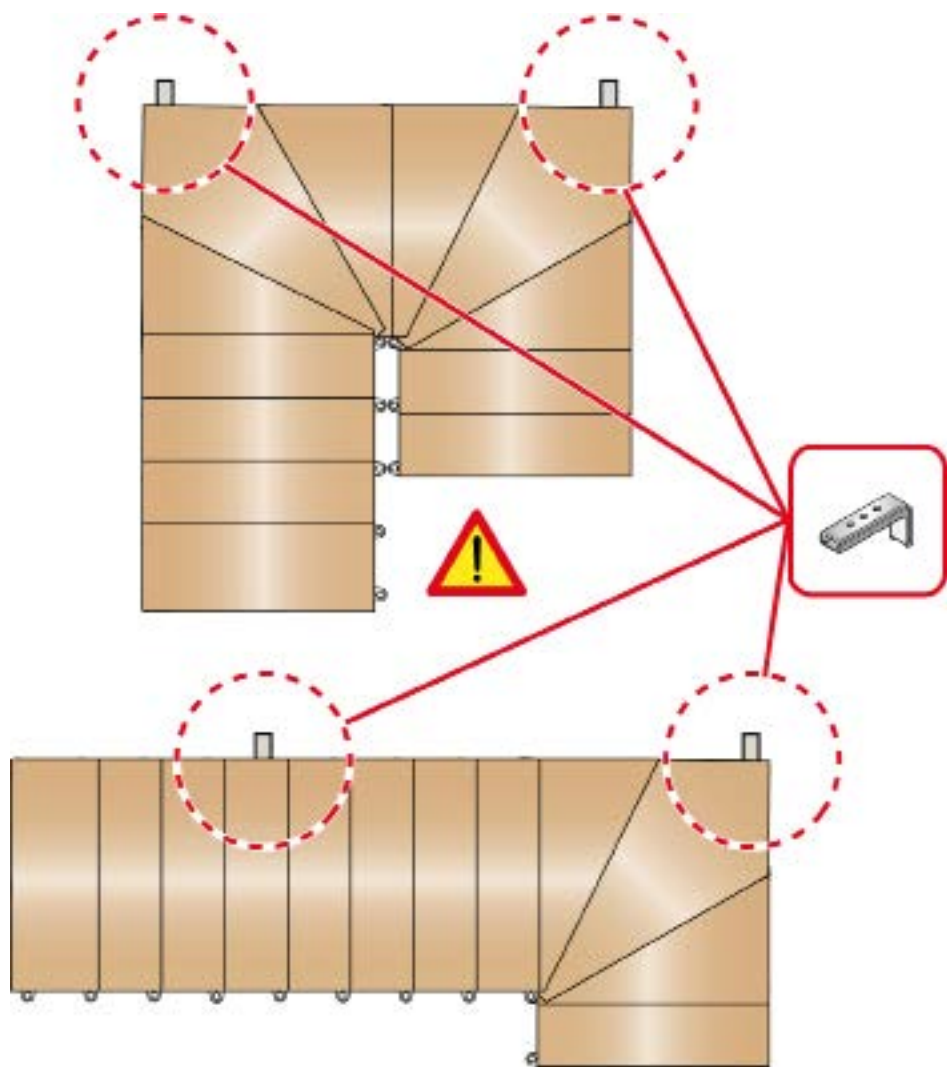
160

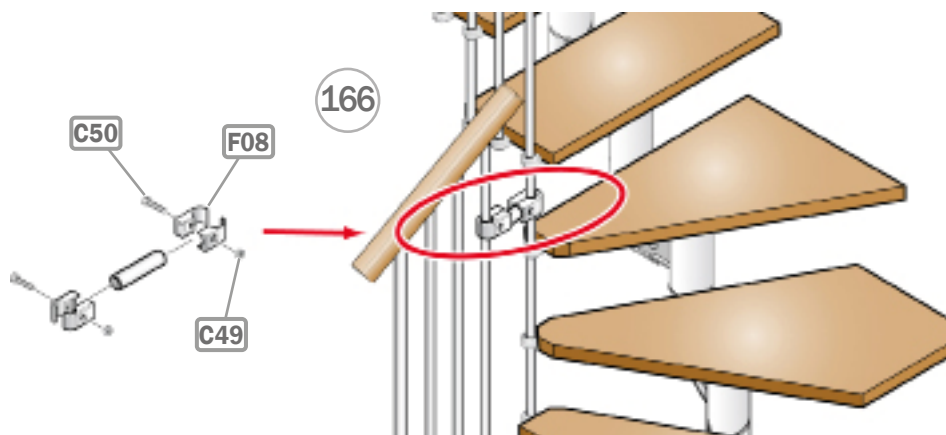
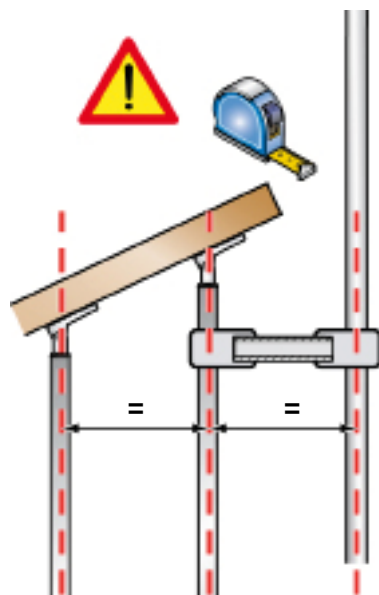


161

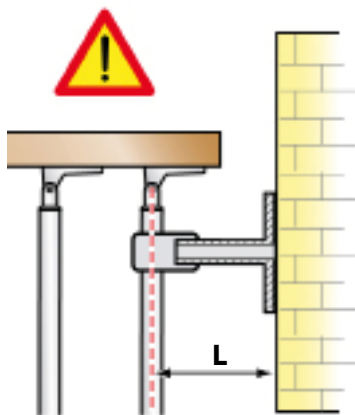
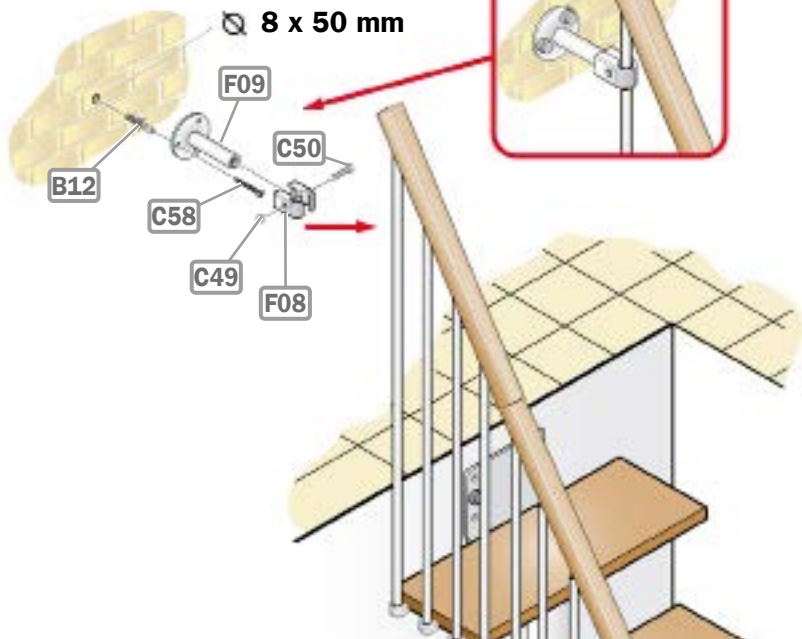






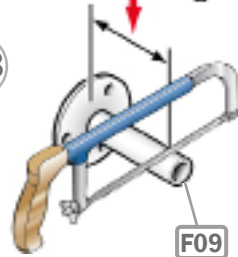


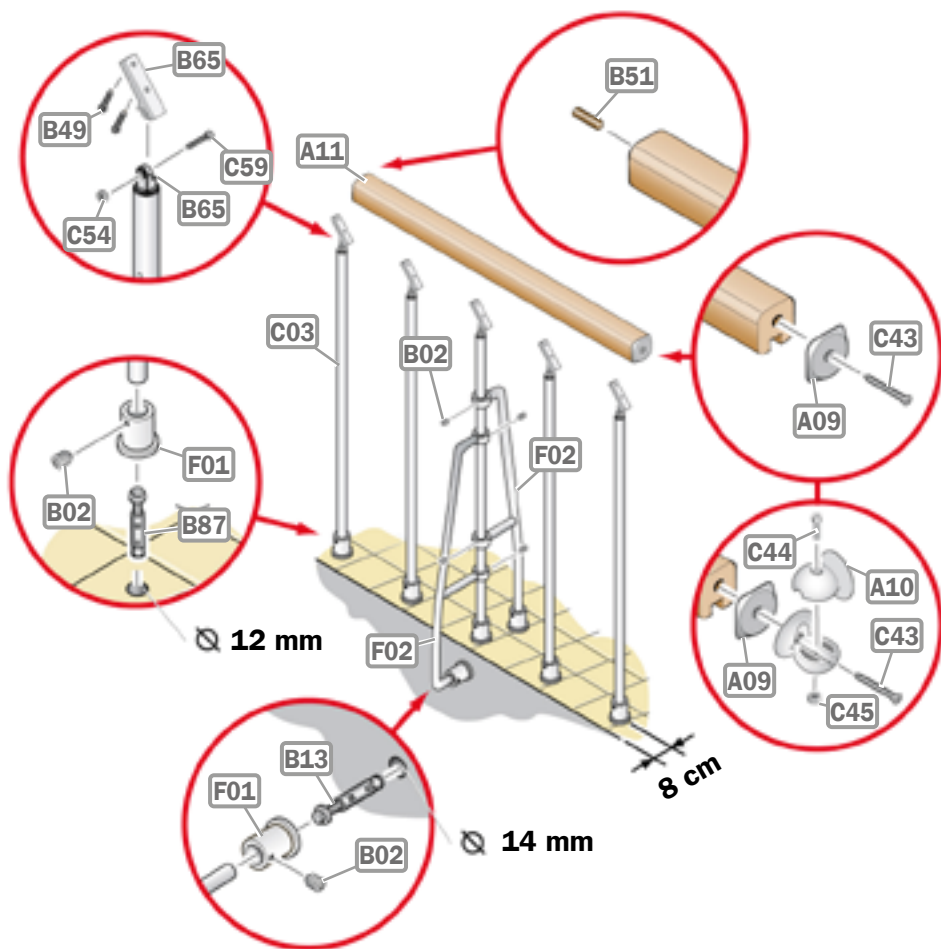
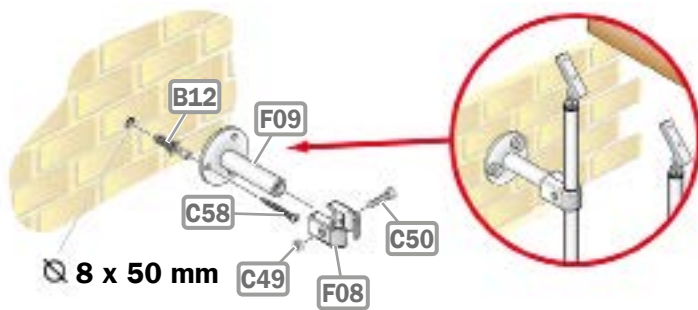
167


















L - 3 cm






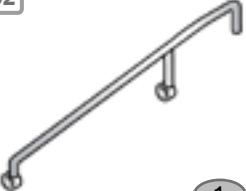


168

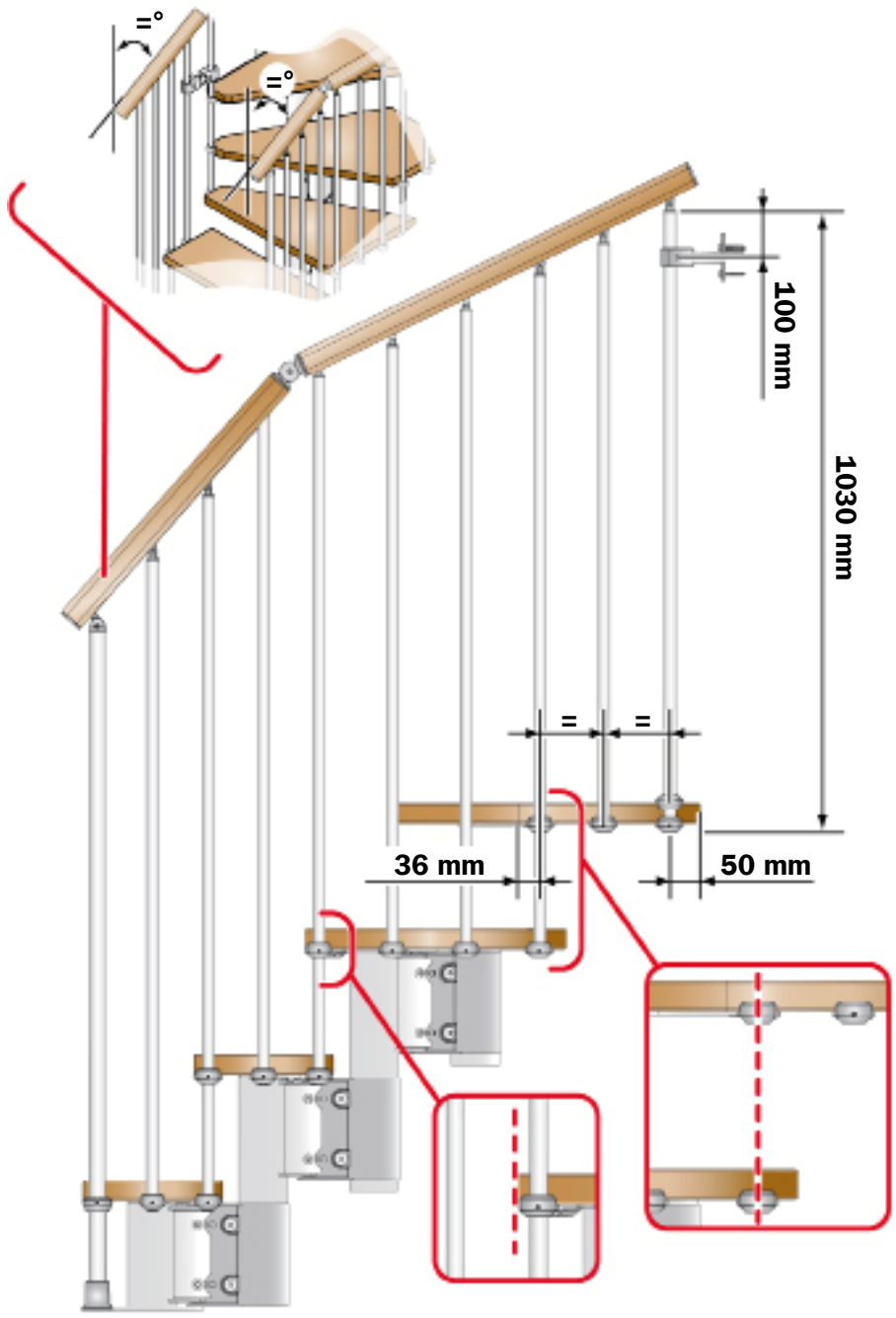


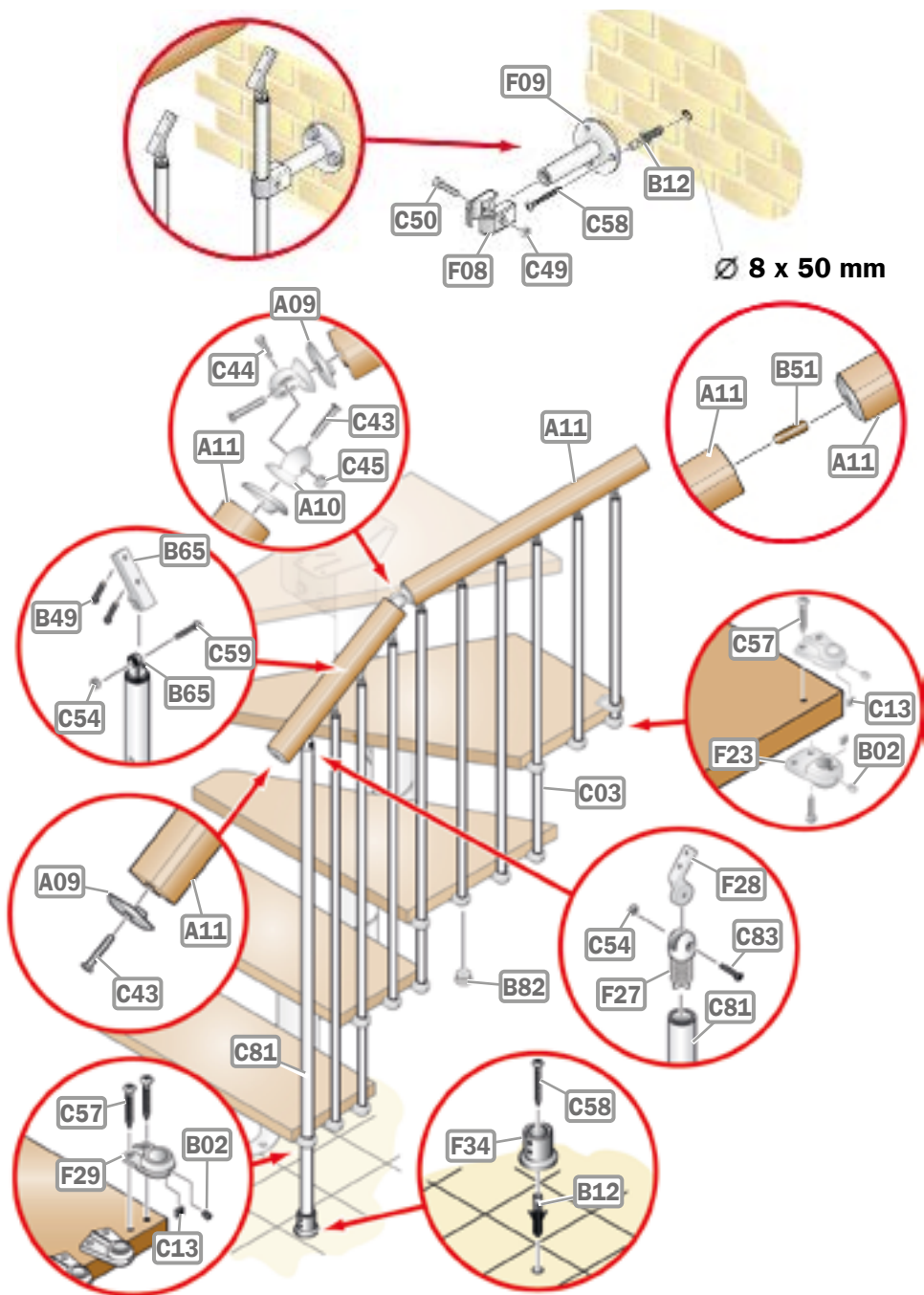

















<p>A09</p>  <p>7</p>	<p>A10</p>  <p>6</p>	<p>A11</p>  <p>1</p>
<p>B02</p>  <p>13</p>	<p>B12</p>  <p>3</p>	<p>B13</p>  <p>1</p>
<p>B49</p>  <p>24</p>	<p>B51</p>  <p>1</p>	<p>B65</p>  <p>10</p>
<p>B87</p>  <p>10</p>	<p>C03</p>  <p>10</p>	<p>C43</p>  <p>7</p>
<p>C44</p>  <p>3</p>	<p>C45</p>  <p>3</p>	<p>C49</p>  <p>3</p>










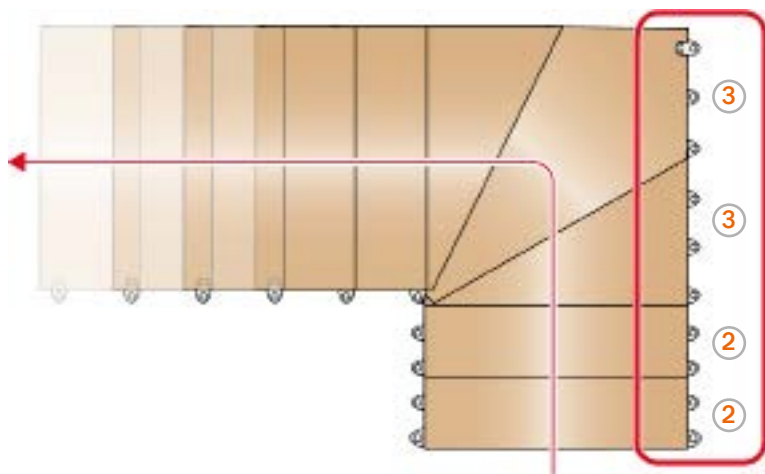
<p>C50</p>  <p>3</p>	<p>C54</p>  <p>10</p>	<p>C58</p>  <p>3</p>
<p>C59</p>  <p>10</p>	<p>F01</p>  <p>11</p>	<p>F02</p>  <p>1</p>
<p>F08</p>  <p>6</p>	<p>F09</p>  <p>2</p>	





<p>A09</p>  <p>4</p>	<p>A10</p>  <p>2</p>	<p>A11</p>  <p>1</p>
<p>B02</p>  <p>7</p>	<p>B12</p>  <p>3</p>	<p>B51</p>  <p>1</p>
<p>B65</p>  <p>5</p>	<p>B82</p>  <p>5</p>	<p>C03 H = 1190 mm</p>  <p>5</p>
<p>C13</p>  <p>7</p>	<p>C43</p>  <p>4</p>	<p>C44</p>  <p>1</p>
<p>C45</p>  <p>1</p>	<p>C49</p>  <p>1</p>	<p>C50</p>  <p>1</p>

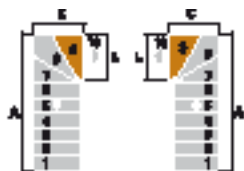
<p>C54</p>  <p>5</p>	<p>C57</p>  <p>14</p>	<p>C58</p>  <p>3</p>
<p>C59</p>  <p>5</p>	<p>F08</p>  <p>2</p>	<p>F09</p>  <p>1</p>
<p>F23</p>  <p>7</p>		



L (cm)	A (cm)	C (cm)
00	000-000-000	00

**G1 G2 G3**

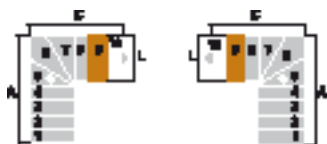
10



L (cm)	A (cm)	C (cm)
64	164-171-179	68



L (cm)	A (cm)	C (cm)
64	148-154-161	85



L (cm)	A (cm)	C (cm)
64	132-137-142	101-109-104



L (cm)	A (cm)	C (cm)
64	116-120-124	117-120-122



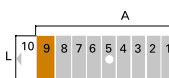
L (cm)	A (cm)	C (cm)
64	100-102-105	133-137-141



L (cm)	A (cm)	C (cm)
64	84-85-87	149-154-159



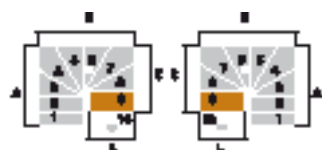
L (cm)	A (cm)	C (cm)
64	68	165-171-178



L (cm)	A (cm)
64	152-162-172



L (cm)	A (cm)	B (cm)	C (cm)
64	161-120-124	129	68



L (cm)	A (cm)	B (cm)	C (cm)
64	100-102-105	129	85



L (cm)	A (cm)	B (cm)	C (cm)
64	84-85-87	129	102-103-104



L (cm)	A (cm)	B (cm)	C (cm)
64	68	129	117-119-122



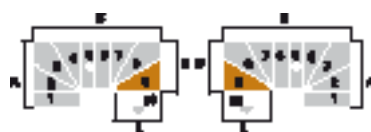
L (cm)	A (cm)	B (cm)	C (cm)
64	100-102-105	145-146-148	68



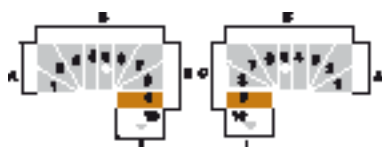
L (cm)	A (cm)	B (cm)	C (cm)
64	84-85-87	145-146-148	85



L (cm)	A (cm)	B (cm)	C (cm)
64	68	145-146-148	101-102-104



L (cm)	A (cm)	B (cm)	C (cm)
64	84-85-87	161-163-166	68

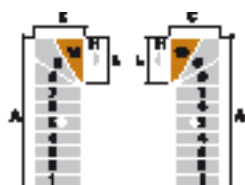


L (cm)	A (cm)	B (cm)	C (cm)
64	68	161-163-166	85

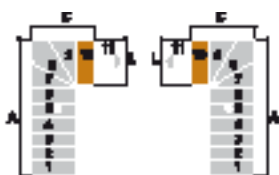


L (cm)	A (cm)	B (cm)	C (cm)
64	68	177-181-185	68

# 11



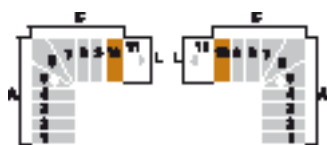
L (cm)	A (cm)	C (cm)
64	180-188-198	68



L (cm)	A (cm)	C (cm)
64	164-171-179	85



L (cm)	A (cm)	C (cm)
64	148-154-161	101-102-104



L (cm)	A (cm)	C (cm)
64	132-137-142	117-119-122



L (cm)	A (cm)	C (cm)
64	116-120-124	133-137-141



L (cm)	A (cm)	C (cm)
64	100-102-105	149-154-159

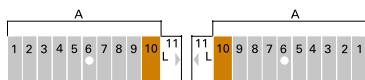


L (cm)	A (cm)	C (cm)
64	84-85-87	165-171-178



L (cm)	A (cm)	C (cm)
64	68	181-188-196

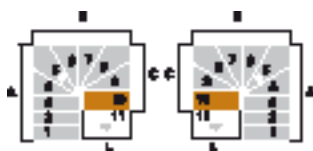




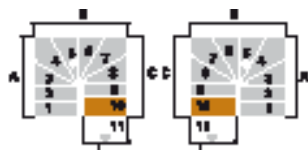
L (cm)	A (cm)
64	168-179-191



L (cm)	A (cm)	B (cm)	C (cm)
64	132-137-142	129	68



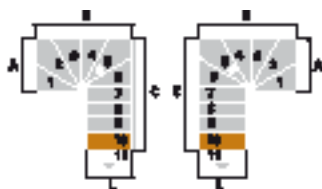
L (cm)	A (cm)	B (cm)	C (cm)
64	116-120-124	129	85



L (cm)	A (cm)	B (cm)	C (cm)
64	100-102-105	129	101-102-104



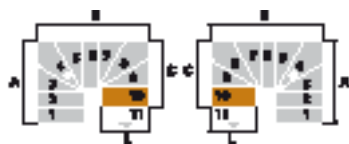
L (cm)	A (cm)	B (cm)	C (cm)
64	84-85-87	129	117-119-122



L (cm)	A (cm)	B (cm)	C (cm)
64	68	129	133-137-141



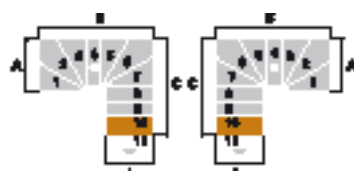
L (cm)	A (cm)	B (cm)	C (cm)
64	116-120-124	145-146-148	68



L (cm)	A (cm)	B (cm)	C (cm)
64	100-102-105	145-146-148	85



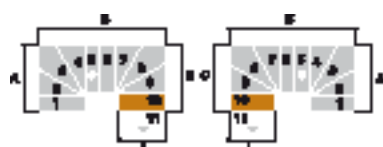
L (cm)	A (cm)	B (cm)	C (cm)
64	84-85-87	145-146-148	101-102-104



L (cm)	A (cm)	B (cm)	C (cm)
64	68	145-146-148	133-137-141



L (cm)	A (cm)	B (cm)	C (cm)
64	100-102-105	161-163-166	68



L (cm)	A (cm)	B (cm)	C (cm)
64	84-85-87	161-163-166	85



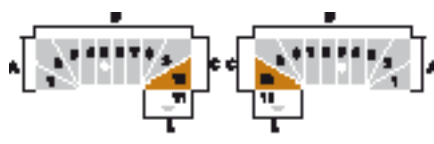
L (cm)	A (cm)	B (cm)	C (cm)
64	68	161-163-166	101-102-104



L (cm)	A (cm)	B (cm)	C (cm)
64	84-85-87	177-181-185	68

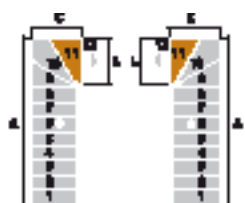


L (cm)	A (cm)	B (cm)	C (cm)
64	68	177-181-185	85

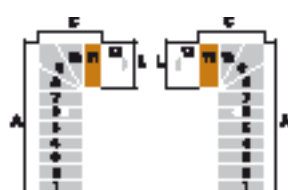


L (cm)	A (cm)	B (cm)	C (cm)
64	68	193-198-203	68

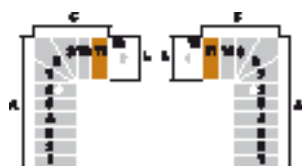
# 12



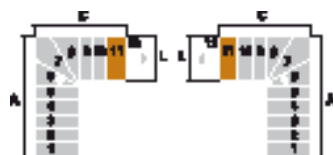
L (cm)	A (cm)	C (cm)
64	196-206-216	68



L (cm)	A (cm)	C (cm)
64	180-188-198	85



L (cm)	A (cm)	C (cm)
64	164-171-179	101-102-104



L (cm)	A (cm)	C (cm)
64	148-154-161	117-119-122



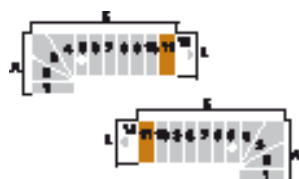
L (cm)	A (cm)	C (cm)
64	132-137-142	133-137-141



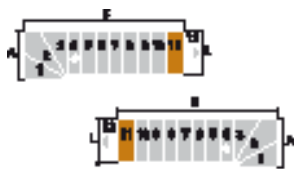
L (cm)	A (cm)	C (cm)
64	116-120-124	149-154-159



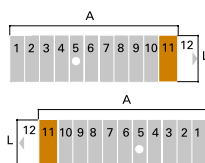
L (cm)	A (cm)	C (cm)
64	100-102-105	165-171-178



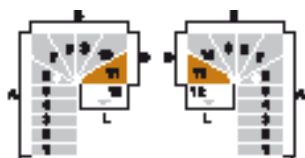
L (cm)	A (cm)	C (cm)
64	84-85-87	181-188-196



L (cm)	A (cm)	C (cm)
64	68	197-205-215



L (cm)	A (cm)
64	184-196-209



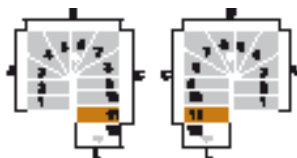
L (cm)	A (cm)	B (cm)	C (cm)
64	148-154-161	129	68



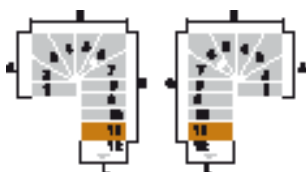
L (cm)	A (cm)	B (cm)	C (cm)
64	132-137-142	129	85



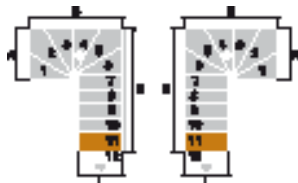
L (cm)	A (cm)	B (cm)	C (cm)
64	116-120-124	129	101-102-104



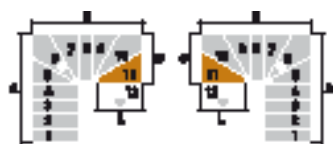
L (cm)	A (cm)	B (cm)	C (cm)
64	100-102-105	129	117-119-122



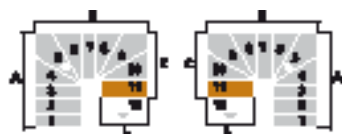
L (cm)	A (cm)	B (cm)	C (cm)
64	84-85-87	129	133-137-141



L (cm)	A (cm)	B (cm)	C (cm)
64	68	129	149-154-159



L (cm)	A (cm)	B (cm)	C (cm)
64	132-137-142	145-146-148	68



L (cm)	A (cm)	B (cm)	C (cm)
64	116-120-124	145-146-148	85



L (cm)	A (cm)	B (cm)	C (cm)
64	100-102-105	145-146-148	101-102-104



L (cm)	A (cm)	B (cm)	C (cm)
64	84-85-87	145-146-148	117-119-122



L (cm)	A (cm)	B (cm)	C (cm)
64	68	145-146-148	133-137-141



L (cm)	A (cm)	B (cm)	C (cm)
64	116-120-124	161-163-166	68



L (cm)	A (cm)	B (cm)	C (cm)
64	100-102-105	161-163-166	85



L (cm)	A (cm)	B (cm)	C (cm)
64	84-85-87	161-163-166	101-102-104



L (cm)	A (cm)	B (cm)	C (cm)
64	68	161-163-166	117-119-122



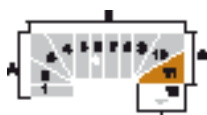
L (cm)	A (cm)	B (cm)	C (cm)
64	100-102-105	177-181-185	68



L (cm)	A (cm)	B (cm)	C (cm)
64	84-85-87	177-181-185	85



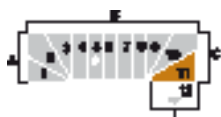
L (cm)	A (cm)	B (cm)	C (cm)
64	68	177-181-185	101-102-104



L (cm)	A (cm)	B (cm)	C (cm)
64	84-85-87	193-198-203	68

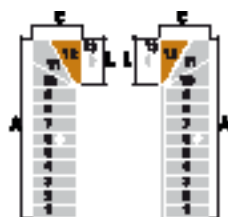


L (cm)	A (cm)	B (cm)	C (cm)
64	68	193-198-203	85

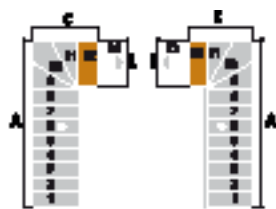


L (cm)	A (cm)	B (cm)	C (cm)
64	68	209-215-222	68

# 13



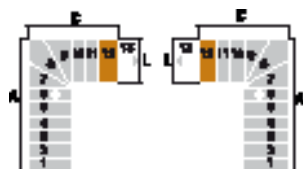
L (cm)	A (cm)	C (cm)
64	212-223-235	68



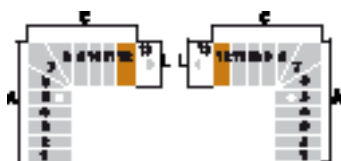
L (cm)	A (cm)	C (cm)
64	196-206-216	85



L (cm)	A (cm)	C (cm)
64	180-188-198	101-102-104



L (cm)	A (cm)	C (cm)
64	164-171-179	117-119-122



L (cm)	A (cm)	C (cm)
64	148-154-161	133-137-141



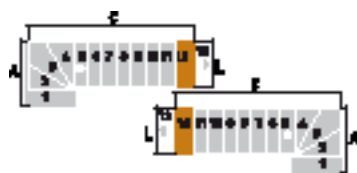
L (cm)	A (cm)	C (cm)
64	132-137-142	149-154-159



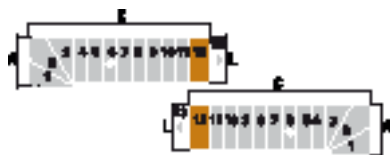
L (cm)	A (cm)	C (cm)
64	116-120-124	165-171-178



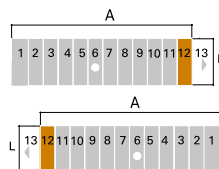
L (cm)	A (cm)	C (cm)
64	100-102-105	181-188-196



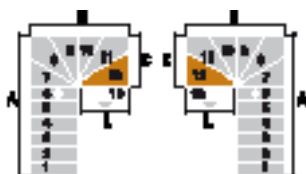
L (cm)	A (cm)	C (cm)
64	84-85-87	197-205-215



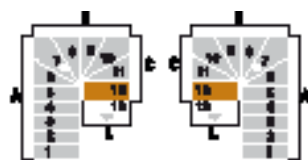
L (cm)	A (cm)	C (cm)
64	68	213-223-233



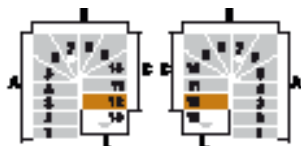
L (cm)	A (cm)
64	200-213-228



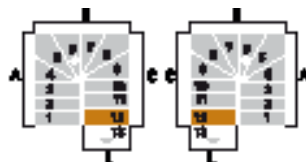
L (cm)	A (cm)	B (cm)	C (cm)
64	164-171-179	129	68



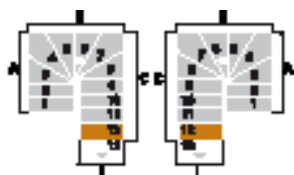
L (cm)	A (cm)	B (cm)	C (cm)
64	148-154-161	129	85



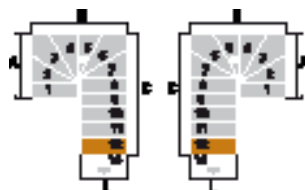
L (cm)	A (cm)	B (cm)	C (cm)
64	132-137-142	129	101-102-104



L (cm)	A (cm)	B (cm)	C (cm)
64	116-120-124	129	117-119-122

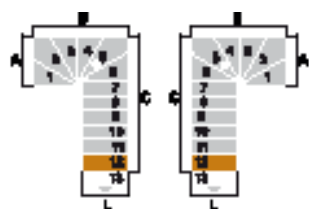


L (cm)	A (cm)	B (cm)	C (cm)
64	100-102-105	129	133-137-141

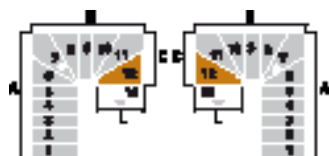


L (cm)	A (cm)	B (cm)	C (cm)
64	84-85-87	129	149-154-159





L (cm)	A (cm)	B (cm)	C (cm)
64	68	129	165-171-178



L (cm)	A (cm)	B (cm)	C (cm)
64	148-154-161	145-146-148	68



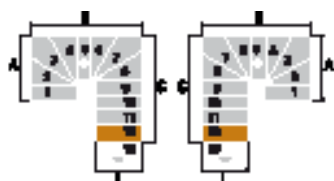
L (cm)	A (cm)	B (cm)	C (cm)
64	132-137-142	145-146-148	85



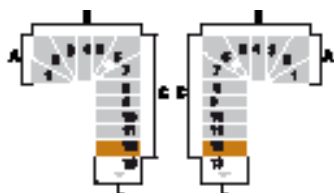
L (cm)	A (cm)	B (cm)	C (cm)
64	116-120-124	145-146-148	101-102-104



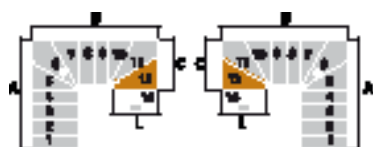
L (cm)	A (cm)	B (cm)	C (cm)
64	100-102-105	145-146-148	117-119-122



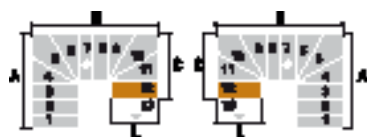
L (cm)	A (cm)	B (cm)	C (cm)
64	84-85-87	145-146-148	133-137-141



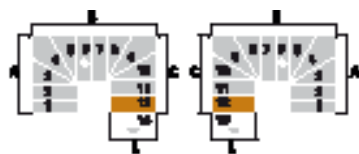
L (cm)	A (cm)	B (cm)	C (cm)
64	68	145-146-148	149-154-166



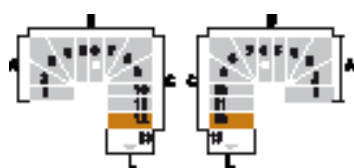
L (cm)	A (cm)	B (cm)	C (cm)
64	132-137-142	161-163-166	68



L (cm)	A (cm)	B (cm)	C (cm)
64	116-120-124	161-163-166	85



L (cm)	A (cm)	B (cm)	C (cm)
64	100-102-105	161-163-166	101-102-104



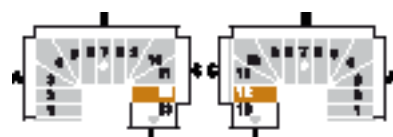
L (cm)	A (cm)	B (cm)	C (cm)
64	84-85-87	161-163-166	117-119-122



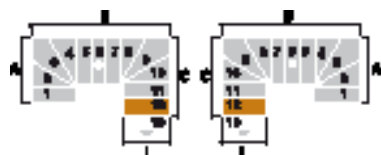
L (cm)	A (cm)	B (cm)	C (cm)
64	68	161-163-166	133-137-141



L (cm)	A (cm)	B (cm)	C (cm)
64	116-120-124	177-181-185	68



L (cm)	A (cm)	B (cm)	C (cm)
64	100-102-105	177-181-185	85



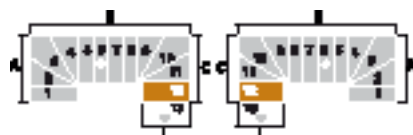
L (cm)	A (cm)	B (cm)	C (cm)
64	84-85-87	177-181-185	101-102-104



L (cm)	A (cm)	B (cm)	C (cm)
64	68	177-181-185	117-119-122



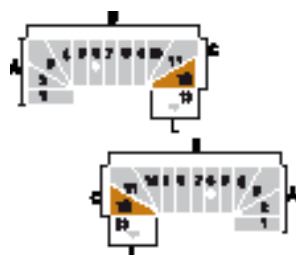
L (cm)	A (cm)	B (cm)	C (cm)
64	100-102-105	193-198-203	68



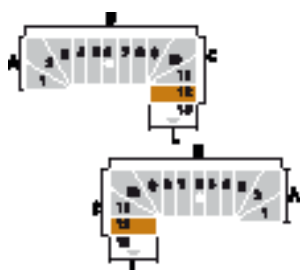
L (cm)	A (cm)	B (cm)	C (cm)
64	84-85-87	193-198-203	85



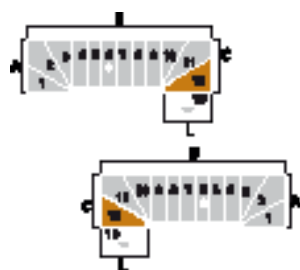
L (cm)	A (cm)	B (cm)	C (cm)
64	68	193-198-203	101-102-104



L (cm)	A (cm)	B (cm)	C (cm)
64	84-85-87	209-215-222	68

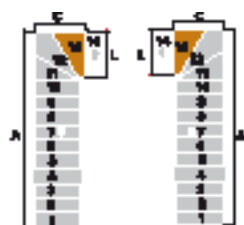


L (cm)	A (cm)	B (cm)	C (cm)
64	68	209-215-222	85

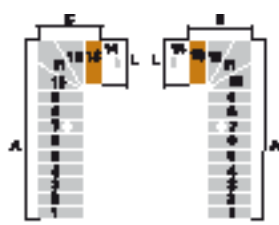


L (cm)	A (cm)	B (cm)	C (cm)
64	68	225-232-240	68

# 14



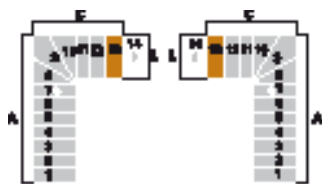
L (cm)	A (cm)	C (cm)
64	228-240-253	68



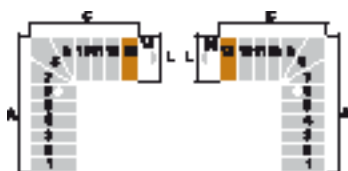
L (cm)	A (cm)	C (cm)
64	212-223-235	85



L (cm)	A (cm)	C (cm)
64	196-206-216	101-102-104



L (cm)	A (cm)	C (cm)
64	180-188-198	117-119-122



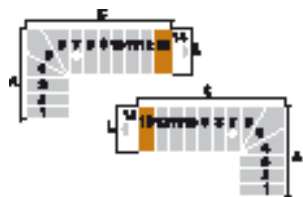
L (cm)	A (cm)	C (cm)
64	164-171-179	133-137-141



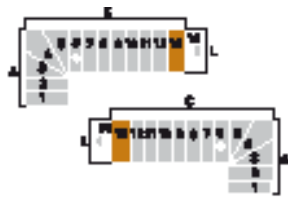
L (cm)	A (cm)	C (cm)
64	148-154-161	149-154-159



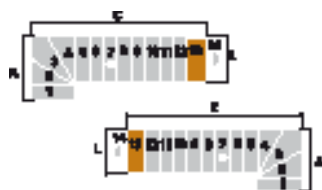
L (cm)	A (cm)	C (cm)
64	132-137-142	165-171-178



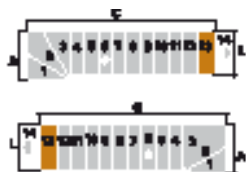
L (cm)	A (cm)	C (cm)
64	116-120-124	181-188-196



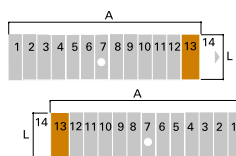
L (cm)	A (cm)	C (cm)
64	100-102-105	197-205-215



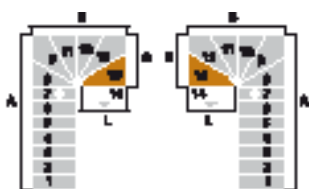
L (cm)	A (cm)	C (cm)
64	84-85-87	213-223-233



L (cm)	A (cm)	C (cm)
64	68	229-240-252



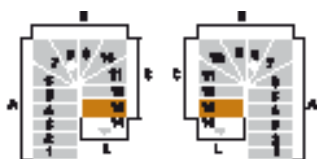
L (cm)	A (cm)
64	216-231-246



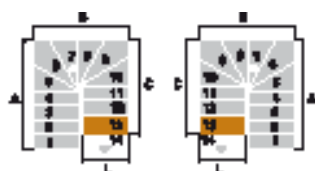
L (cm)	A (cm)	B (cm)	C (cm)
64	180-188-198	129	68



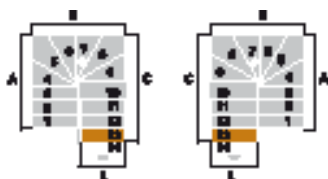
L (cm)	A (cm)	B (cm)	C (cm)
64	164-171-179	129	85



L (cm)	A (cm)	B (cm)	C (cm)
64	148-154-161	129	101-102-104



L (cm)	A (cm)	B (cm)	C (cm)
64	132-137-142	129	117-119-122



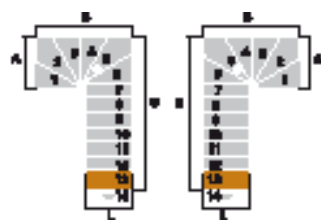
L (cm)	A (cm)	B (cm)	C (cm)
64	116-120-124	129	133-141-141



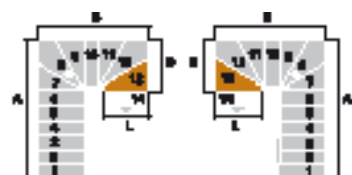
L (cm)	A (cm)	B (cm)	C (cm)
64	100-102-105	129	149-154-159



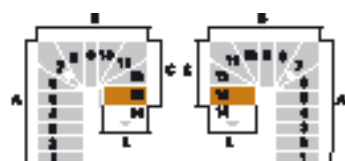
L (cm)	A (cm)	B (cm)	C (cm)
64	84-85-87	129	165-171-178



L (cm)	A (cm)	B (cm)	C (cm)
64	68	129	181-188-196



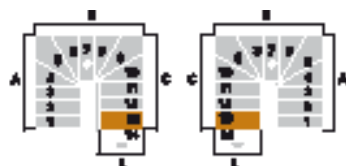
L (cm)	A (cm)	B (cm)	C (cm)
64	164-171-179	145-146-148	68



L (cm)	A (cm)	B (cm)	C (cm)
64	148-154-161	145-146-148	85



L (cm)	A (cm)	B (cm)	C (cm)
64	132-137-142	145-146-148	101-102-104



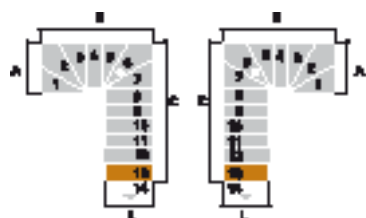
L (cm)	A (cm)	B (cm)	C (cm)
64	116-120-124	145-146-148	117-119-122



L (cm)	A (cm)	B (cm)	C (cm)
64	100-102-105	145-146-148	133-137-141



L (cm)	A (cm)	B (cm)	C (cm)
64	84-85-87	145-146-148	149-154-159



L (cm)	A (cm)	B (cm)	C (cm)
64	68	145-146-148	165-171-178



L (cm)	A (cm)	B (cm)	C (cm)
64	148-154-161	161-163-166	68



L (cm)	A (cm)	B (cm)	C (cm)
64	132-137-142	161-163-166	85



L (cm)	A (cm)	B (cm)	C (cm)
64	116-120-124	161-163-166	101-102-104



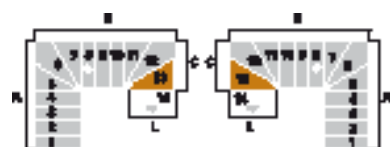
L (cm)	A (cm)	B (cm)	C (cm)
64	100-102-105	161-163-166	117-119-122



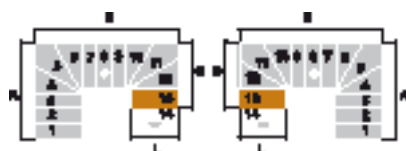
L (cm)	A (cm)	B (cm)	C (cm)
64	84-85-87	161-163-166	133-137-141



L (cm)	A (cm)	B (cm)	C (cm)
64	68	161-163-166	149-154-159



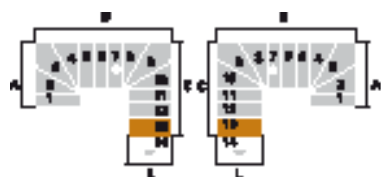
L (cm)	A (cm)	B (cm)	C (cm)
64	132-137-142	177-181-185	68



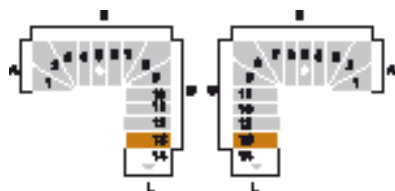
L (cm)	A (cm)	B (cm)	C (cm)
64	116-120-124	177-181-185	85



L (cm)	A (cm)	B (cm)	C (cm)
64	100-102-105	177-181-185	196-206-216



L (cm)	A (cm)	B (cm)	C (cm)
64	84-85-87	177-181-185	117-119-122



L (cm)	A (cm)	B (cm)	C (cm)
64	68	177-181-185	133-137-141



L (cm)	A (cm)	B (cm)	C (cm)
64	116-120-124	193-198-203	68



L (cm)	A (cm)	B (cm)	C (cm)
64	100-102-105	193-198-203	85

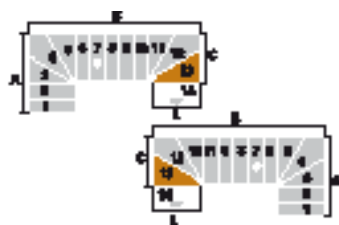


L (cm)	A (cm)	B (cm)	C (cm)
64	100-102-105	193-198-203	101-102-104

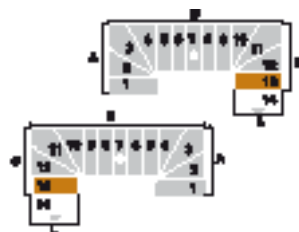


L (cm)	A (cm)	B (cm)	C (cm)
64	68	193-198-203	117-119-122





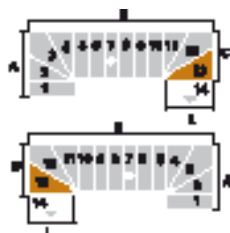
L (cm)	A (cm)	B (cm)	C (cm)
64	100-102-105	209-215-222	68



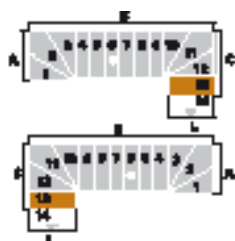
L (cm)	A (cm)	B (cm)	C (cm)
64	84-85-87	209-215-222	85



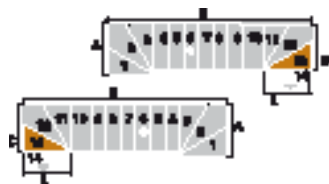
L (cm)	A (cm)	B (cm)	C (cm)
64	68	209-215-222	101-102-104



L (cm)	A (cm)	B (cm)	C (cm)
64	84-85-87	225-232-240	68

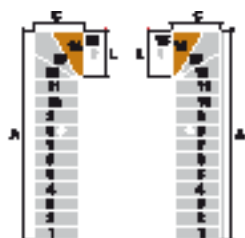


L (cm)	A (cm)	B (cm)	C (cm)
64	68	225-232-240	85



L (cm)	A (cm)	B (cm)	C (cm)
64	68	241-249-259	68

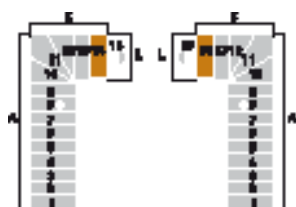
# 15



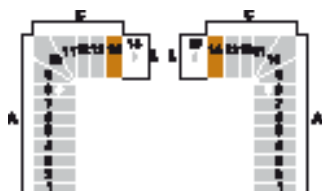
L (cm)	A (cm)	C (cm)
64	244-257-272	68



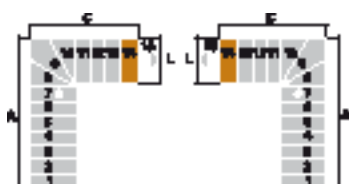
L (cm)	A (cm)	C (cm)
64	228-240-253	85



L (cm)	A (cm)	C (cm)
64	212-223-235	101-102-104



L (cm)	A (cm)	C (cm)
64	196-206-216	117-119-122



L (cm)	A (cm)	C (cm)
64	180-188-198	133-137-141



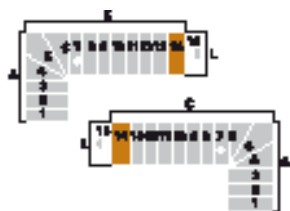
L (cm)	A (cm)	C (cm)
64	164-171-179	149-154-159



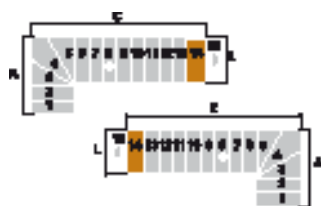
L (cm)	A (cm)	C (cm)
64	148-154-161	165-171-178



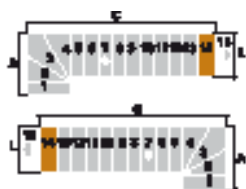
L (cm)	A (cm)	C (cm)
64	132-137-142	181-188-196



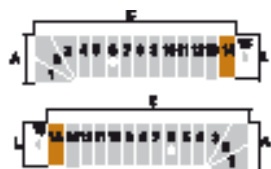
L (cm)	A (cm)	C (cm)
64	116-120-124	197-205-215



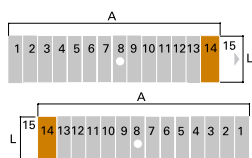
L (cm)	A (cm)	C (cm)
64	100-102-105	213-223-233



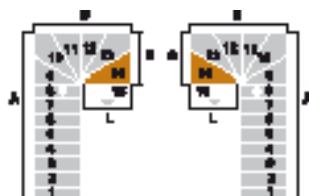
L (cm)	A (cm)	C (cm)
64	84-85-87	229-240-252



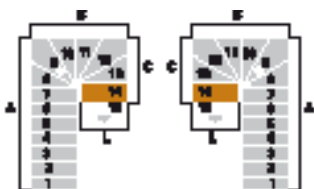
L (cm)	A (cm)	C (cm)
64	68	245-256-270



L (cm)	A (cm)
64	232-248-265



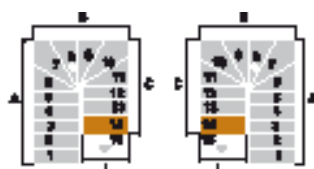
L (cm)	A (cm)	B (cm)	C (cm)
64	196-206-216	129	68



L (cm)	A (cm)	B (cm)	C (cm)
64	180-188-198	129	85



L (cm)	A (cm)	B (cm)	C (cm)
64	164-171-179	129	101-102-104



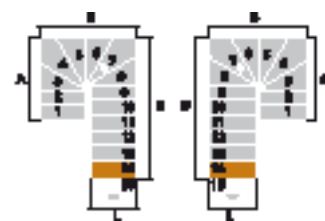
L (cm)	A (cm)	B (cm)	C (cm)
64	148-154-161	129	117-119-122



L (cm)	A (cm)	B (cm)	C (cm)
64	132-137-142	129	133-137-141



L (cm)	A (cm)	B (cm)	C (cm)
64	116-120-124	129	149-154-159



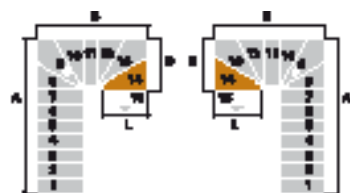
L (cm)	A (cm)	B (cm)	C (cm)
64	100-102-105	129	165-171-178



L (cm)	A (cm)	B (cm)	C (cm)
64	84-85-87	129	181-188-196



L (cm)	A (cm)	B (cm)	C (cm)
64	68	129	197-205-215



L (cm)	A (cm)	B (cm)	C (cm)
64	180-188-198	145-146-148	68



L (cm)	A (cm)	B (cm)	C (cm)
64	164-171-179	145-146-148	85



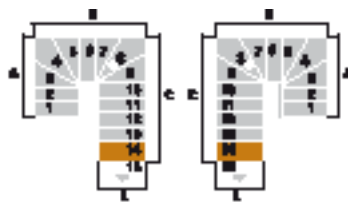
L (cm)	A (cm)	B (cm)	C (cm)
64	148-154-161	145-146-148	101-102-104



L (cm)	A (cm)	B (cm)	C (cm)
64	132-137-142	145-146-148	117-119-122



L (cm)	A (cm)	B (cm)	C (cm)
64	116-120-124	145-146-148	133-137-141



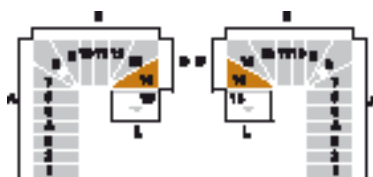
L (cm)	A (cm)	B (cm)	C (cm)
64	100-102-105	145-146-148	149-154-159



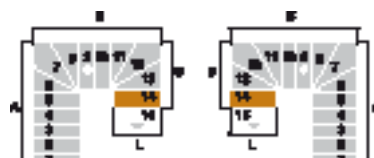
L (cm)	A (cm)	B (cm)	C (cm)
64	84-85-87	145-146-148	165-171-178



L (cm)	A (cm)	B (cm)	C (cm)
64	68	145-146-148	181-188-196



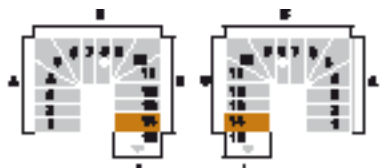
L (cm)	A (cm)	B (cm)	C (cm)
64	164-171-179	161-163-166	68



L (cm)	A (cm)	B (cm)	C (cm)
64	148-154-161	161-163-166	85



L (cm)	A (cm)	B (cm)	C (cm)
64	132-137-142	161-163-166	101-102-104



L (cm)	A (cm)	B (cm)	C (cm)
64	116-120-124	161-163-166	117-119-122



L (cm)	A (cm)	B (cm)	C (cm)
64	100-102-105	161-163-166	133-137-141



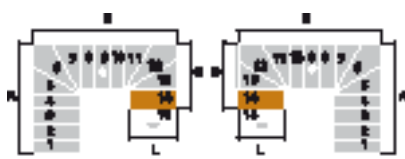
L (cm)	A (cm)	B (cm)	C (cm)
64	84-85-87	161-163-166	149-154-159



L (cm)	A (cm)	B (cm)	C (cm)
64	68	161-163-166	165-171-178



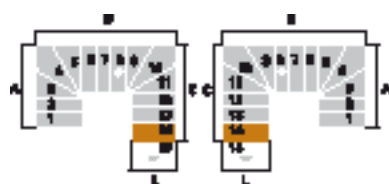
L (cm)	A (cm)	B (cm)	C (cm)
64	148-154-161	177-181-185	68



L (cm)	A (cm)	B (cm)	C (cm)
64	132-137-142	177-181-185	85



L (cm)	A (cm)	B (cm)	C (cm)
64	116-120-124	177-181-185	101-102-104



L (cm)	A (cm)	B (cm)	C (cm)
64	100-102-105	177-181-185	117-119-122



L (cm)	A (cm)	B (cm)	C (cm)
64	84-85-87	177-181-185	133-137-141



L (cm)	A (cm)	B (cm)	C (cm)
64	68	177-181-185	149-154-159



L (cm)	A (cm)	B (cm)	C (cm)
64	132-137-142	193-196-203	68



L (cm)	A (cm)	B (cm)	C (cm)
64	116-120-124	193-198-203	85



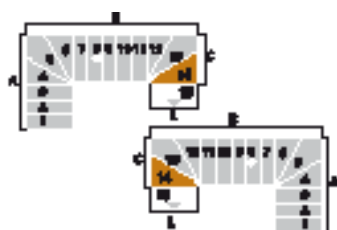
L (cm)	A (cm)	B (cm)	C (cm)
64	100-102-105	193-198-203	101-102-104



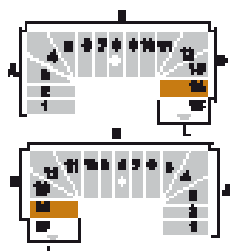
L (cm)	A (cm)	B (cm)	C (cm)
64	84-85-87	193-198-203	117-119-122



L (cm)	A (cm)	B (cm)	C (cm)
64	68	193-198-203	133-137-141



L (cm)	A (cm)	B (cm)	C (cm)
64	116-120-124	209-215-222	68



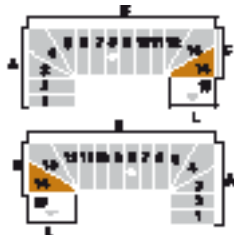
L (cm)	A (cm)	B (cm)	C (cm)
64	100-102-105	209-215-222	85



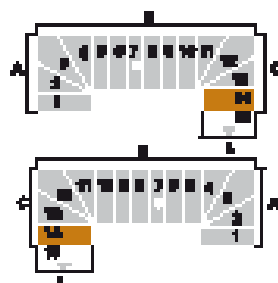
L (cm)	A (cm)	B (cm)	C (cm)
64	84-85-87	209-215-222	101-102-104



L (cm)	A (cm)	B (cm)	C (cm)
64	68	209-215-222	117-119-122

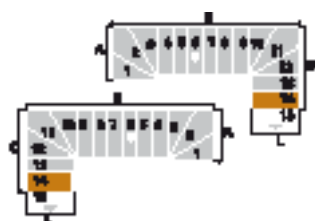


L (cm)	A (cm)	B (cm)	C (cm)
64	100-102-105	225-232-240	68

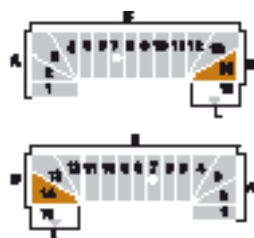


L (cm)	A (cm)	B (cm)	C (cm)
64	84-85-87	225-232-240	85

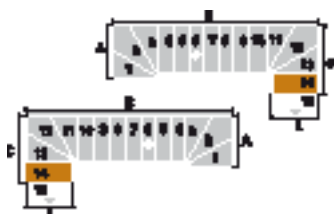




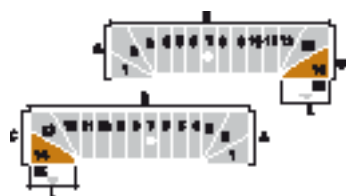
L (cm)	A (cm)	B (cm)	C (cm)
64	68	225-232-240	101-102-104



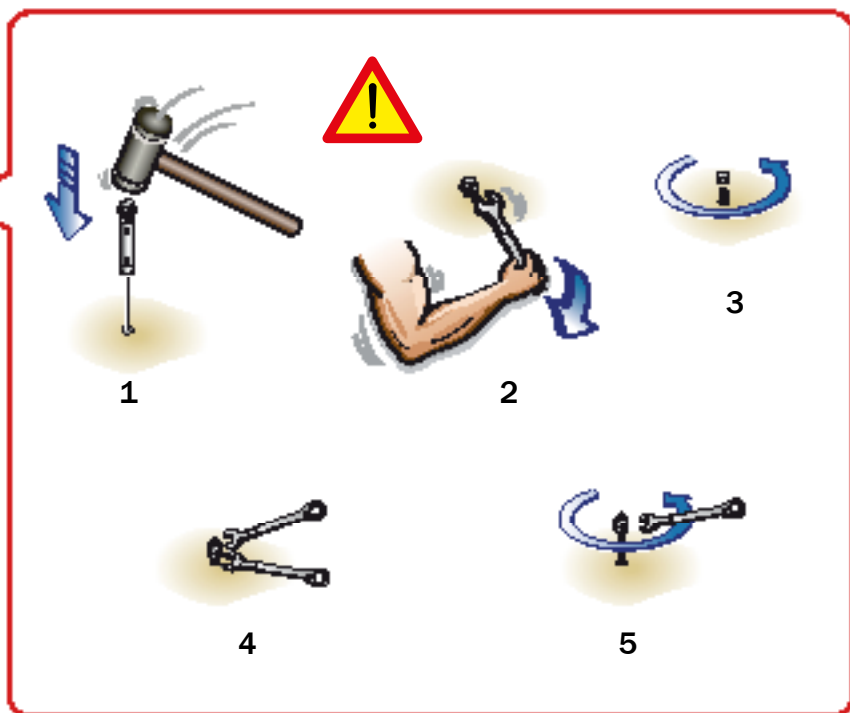
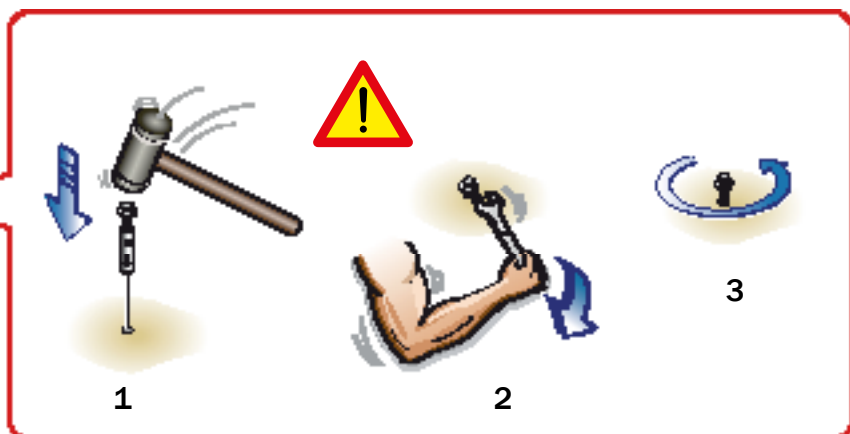
L (cm)	A (cm)	B (cm)	C (cm)
64	84-85-87	241-249-259	68



L (cm)	A (cm)	B (cm)	C (cm)
64	68	241-249-259	85



L (cm)	A (cm)	B (cm)	C (cm)
64	68	257-267-277	68

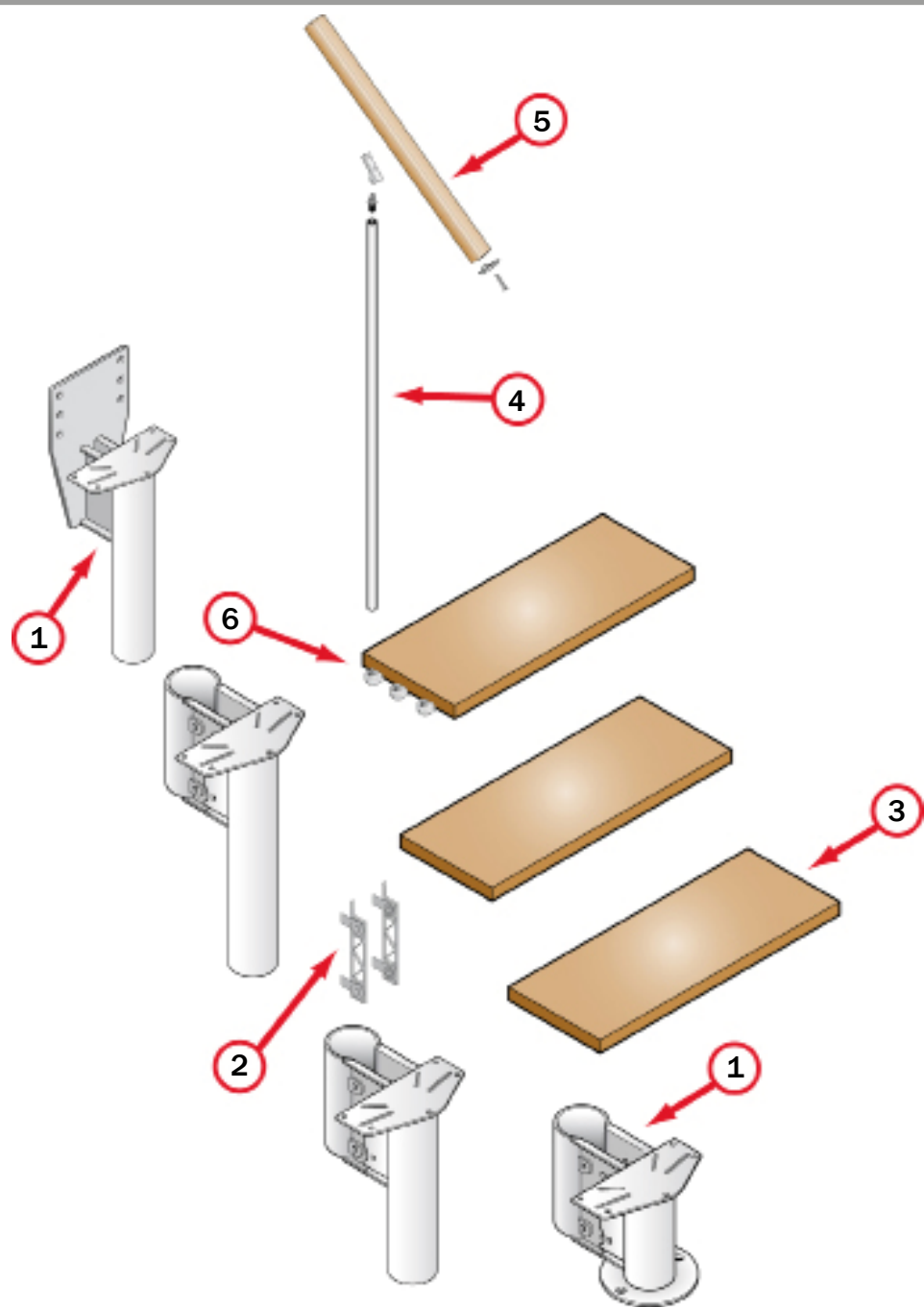




**Italiano**  
**Français**  
**Español**

DATI IDENTIFICATIVI DEL PRODOTTO  
DONNÉES D'IDENTIFICATION DU PRODUIT  
DATOS DE IDENTIFICACIÓN





## IT)

### **dati identificativi del prodotto**

denominazione commerciale: **PRATIQUE 4**  
tipologia: scala a giorno con gradini rettilinei, a  
ventaglio e rotazione delle rampe

### **materiali impiegati**

#### **STRUTTURA**

##### **descrizione**

composta da supporti **(1)** metallici assemblati fra di loro con bulloni

##### **materiali**

supporti metallici: Fe 370

fissaggi **(2)**: polipropilene

##### **finitura**

supporti metallici: verniciatura a forno con polveri epossidiche

#### **GRADINI**

##### **descrizione**

gradini **(3)** in legno, rettilinei e a ventaglio assemblati alla struttura con bulloni

##### **materiali**

multistrato di betulla

##### **finitura**

tinta: all'acqua

fondo: poliuretano

finitura: poliuretano

#### **RINGHIERA**

##### **descrizione**

composta da colonnine **(4)** verticali in metallo fissate ai gradini **(3)** e da un corrimano **(5)** di legno

##### **materiali**

colonnine: Fe 370

corrimano: faggio

fissaggi **(6)**: nylon

##### **finitura**

colonnine: verniciatura a forno con polveri epossidiche  
corrimano di legno: tinta all'acqua,

fondo poliuretano

finitura poliuretano

#### **PULIZIA**

Pulire con panno morbido inumidito in acqua, privo di qualsiasi prodotto contenente solventi o materiali abrasivi.

#### **MANUTENZIONE**

Dopo circa 12 mesi dalla data di installazione, controllare il serraggio della viteria dei vari componenti. La manutenzione straordinaria deve essere eseguita a regola d'arte.

#### **PRECAUZIONI D'USO**

Evitare usi impropri e non consono al prodotto. Eventuali manomissioni o installazioni non rispondenti alle istruzioni del produttore possono inficiare le conformità prestabilite del prodotto.

## FR)

### **données d'identification du produit**

denomination commerciale : **PRATIQUE 4**  
typologie : escalier à volée avec marches rectilignes,  
en éventail et rotation des volées

### **matériaux utilisés**

#### **STRUCTURE**

##### **description**

composée de supports **(1)** métalliques assemblés entre eux par boulonnage

##### **matériaux**

supports métalliques : Fe 370

fixations **(2)** : polypropylène

##### **finition**

supports métalliques : vernissage à chaud avec poudres époxy

#### **MARCHES**

##### **description**

marches **(3)** en bois, rectilignes, en éventail assemblées à la structure par boulonnage

##### **matériaux**

multipli de bouleau

##### **finition**

vernis : à l'eau

mordant : polyuréthanique

finition : polyuréthanique

#### **GARDE-CORPS**

##### **description**

composé de colonnettes **(4)** verticales en métal fixées aux marches **(3)** et d'une main courante **(5)** en bois

##### **matériaux**

colonnettes : Fe 370

main courante : hêtre

fixations **(6)** : nylon

##### **finition**

colonnettes : vernissage à chaud avec poudres époxy

main courante en bois : vernis : à l'eau

mordant : polyuréthanique

finition : polyuréthanique

#### **NETTOYAGE**

Nettoyer avec un chiffon souplé humidifié à l'eau, sans aucun produit contenant des solvants ou matières abrasives.

#### **ENTRETIEN**

Après environ 12 mois de la date d'installation, contrôler le serrage de la visserie et des différents éléments. L'entretien extraordinaire doit être exécuté dans les règles de l'art.

#### **PRECAUTION D'UTILISATION**

Eviter l'utilisation improprie et non conforme au produit. D'éventuelles alterations ou installations non correspondantes aux instructions du producteur peuvent invalider les conformités préétablies du produit.

**ES)**

## **datos de identificación del producto**

denominación comercial: **PRATIQUE 4**

tipología: escalera abierta con peldaños rectilíneos, en forma de abanico y rotación de las rampas

### **materiales empleados**

#### **ESTRUCTURA**

##### **descripción**

compuesta por soportes **(1)** metálicos ensamblados entre sí con pernos

##### **materiales**

soportes metálicos: Fe 370

fijaciones **(2)**: polipropileno

##### **acabado**

soportes metálicos: barnizado en horno con polvos epoxídicos

#### **PELDAÑOS**

##### **descripción**

peldaños **(3)** de madera maciza, rectilíneos y en abanico, ensamblados a la estructura mediante pernos

##### **materiales**

multicapa de abedul

##### **acabado**

acabado: al agua

imprimación: poliuretánica

acabado: poliuretánico

#### **BARANDILLA**

##### **descripción**

compuesta por barrotes **(4)** verticales de metal fijados a los peldaños **(3)** y por un pasamanos **(5)** de madera

##### **materiales**

barrotes: Fe 370

pasamanos: haya

fijaciones **(6)**: nylon

##### **acabado**

barrotes: barnizado en horno con polvos epoxídicos

pasamanos de madera: acabado al agua

imprimación poliuretánica

acabado poliuretánico

#### **LIMPIEZA**

Limpiar con un trapo suave humedecido con agua y sin ningún producto que contenga disolventes o materiales abrasivos.

#### **MANTENIMIENTO**

Transcurridos unos 12 meses desde la fecha de instalación, comprobar que los tornillos que fijan las distintas partes sigan bien apretados. El mantenimiento extraordinario debe ser efectuado como corresponde.

#### **PRECAUCIONES DE USO**

Evitar usos impropios y no conformes con el producto. Eventuales manipulaciones o instalaciones que no cumplan con las instrucciones del fabricante pueden menoscabar las cualidades certificadas en las pruebas de conformidad a las que previamente fue sometido el producto.





**PRA**

**4**

D.U.M.  
11/2014